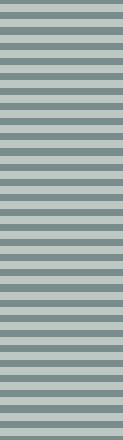




# CATALOGUE





# Index

Page

About Us	9
Certificates	10
Reze Warranty Certificate	11
Installation, Adjustment & Maintenance	12-13
Casement Drilling & Montage	14
Casement Montage & Cutting	15
Frame Drilling & Montage	16
Adjustment & Maintenance	17
Window Hardware	18-19
Tilt & Turn System	20-23
Double Casement System	24-25
Turn Only System	26
Tilt Stay System	27
Window Hardware Selection Tables	28-29
Product Selection Table / Vertical System	31
Product Selection Table / Horizontal System	32
Product Selection Table / Double Casement Application	33
Product Selection Table / Turn Only System / 1. Application	34
Product Selection Table / Turn Only System / 2. Application	35
Product Selection Table / Tilt Stay Application	36
Window Hardware Detailed Information	38-39
Tilt & Turn Gear / Centered / Variable Handle Height / 15mm Backset	40
Tilt & Turn Gear / Centered / Variable Handle Height / 25mm Backset	41
Tilt & Turn Gear / Constant Handle Height / 15mm Backset	42
Turn Gear / Centered / Variable Handle Height / 15mm Backset	43
Turn Gear / Centered / Variable Handle Height / 25mm Backset	44
Double Sash Gear / Centred / Variable Handle Height	45
Stay Arm	46
Tilt First Stay Arm	47
Tilt Stay	48
Tilt Stay & Turn Blocker	49
Middle Lock	50

# Index

Page

Middle Lock (With Extra Pin)	51
Centre Lock	52
Application Of The Centre Lock With Corner Transmission With Covers	53
Additional Extension 250 mm	54
Application Of The Additional Extension With Corner Transmission With Covers	55
Connecting Part	56
Corner Transmission	57
Night-vent Locking Plate Universal	58
Corner Transmission With Covers	59
Corner Transmission With Extra Pin	60
Corner Transmission With Covers With Extra Pin	61
Night-Vent Multi-Stepped Corner Transmission	62
Night-Vent Multi-Stepped Corner Transmission With Covers	63
Corner Transmission Short	64
Corner Transmission Short With Covers	65
Stay Arm Corner Transmission with Pin	66
Tilt Locking Part	67
Tilt Locking Part With Covers	68
Turn Locking Part - Top / Bottom	69
Turn Locking Part - Top / Bottom With Covers	70
Sash Hinge - Top	71
Sash Hinge - Bottom (3 mm)	72
Adjustable Sash Hinge - Bottom (3 mm)	73
Sash Hinge - Bottom (6 mm)	74
Adjustable Sash Hinge - Bottom (6 mm)	75
Rebated Sash Hinge Bottom	76
Frame Hinge - Top (3 mm)	77
Frame Hinge - Top (6 mm)	78
Frame Hinge - Bottom (3 mm)	79
Frame Hinge - Bottom (6 mm)	80
Sash Adjustable Top Stay Arm	81
Sash Middle Hinge	82

# Index

Page

Adjustable Middle Hinge	83
Middle Compression Hinge	84
Turn Hinge "ART" 90 mm	85
Turn Hinge "COMFY" 90 mm	87
Plastic Cover Sets	88
Middle Compression Hinge Covers	89
Strikers	90-92
Door Lock Striker "DELTA"	93
Door Lock Striker "FLEKS"	94
Door Lock Striker "ELEGANCE"	95
Mishandling Device	96
Additional Support Plate	97
Pin Limiter Plate	98
Metal Clip	99
Magnetic Balcony Door Catch	100
Locking Bolt (With Striker)	101
Locking Bolt (Short)	102
Locking Bolt (Long)	103
Door Locking Bolt	104
Door Locking Bolt (With Striker)	105
Door Hardware	106
Multi-Point Door Locks	107
3D Door Hinges "ALPHA XL"	108
Multi-Point Door Locks	109
3D Door Hinges "Avalon"	110
Cylinder Door Locks	111
Door Hardware Detailed Information	113
Multi-Point Door Lock 25 / 85 Latch / Latch & Deadbolt	114
Multi-Point Door Lock 25 / 85 Latch / Latch & Deadbolt / Cut-off	115
Multi-Point Door Lock 25 / 92 Latch / Latch & Deadbolt	116
Multi-Point Door Lock 25 / 92 Latch / Latch & Deadbolt / Cut-off	117
Multi-Point Door Lock 35 / 85 Latch / Latch & Deadbolt	118

# Index

Page

Multi-Point Door Lock 35 / 85 Latch / Latch & Deadbolt / Cut-off	119
Multi-Point Door Lock 35 / 92 Latch / Latch & Deadbolt	120
Multi-Point Door Lock 35 / 92 Latch / Latch & Deadbolt / Cut-off	121
Modular Multi-Point Door Lock 25 / 85 Latch / Latch & Deadbolt	122
Modular Multi-Point Door Lock 25 / 92 Latch / Latch & Deadbolt	123
Modular Multi-Point Door Lock 35 / 85 Latch / Latch & Deadbolt	124
Modular Multi-Point Door Lock 35 / 92 Latch / Latch & Deadbolt	125
Door Double Sash Gear and Accessories for them	126
Locks for Aluminium Doors "SIGMA"	130
Standard Cylinder Door Locks PVC / Metal Body	133
Cylinder Door Locks With Roller PVC / Metal Body	134
WC Door Locks PVC / Metal Body	135
Standard Cylinder Door Locks PVC / Plastic Body	136
Cylinder Door Locks With Roller PVC / Plastic Body	137
WC Door Locks PVC / Plastic Body	138
Standard Cylinder Door Locks ALU / Metal Body	139
Cylinder Door Locks With Roller ALU / Metal Body	140
WC Door Locks ALU / Metal Body	141
Standard Cylinder Door Locks ALU / Plastic Body	142
Cylinder Door Locks With Roller ALU / Plastic Body	143
WC Door Locks ALU / Plastic Body	144
3D Door Hinge "BABYLON"	145
3D Door Hinge "ALPHA XL" / 110 mm	146
3D Door Hinge "ALPHA XL" / 90 mm	147
Sash Support Part for Door Hinge "ALPHA XL"	148
3D Door Hinge "ALEON" / 105mm	149
3D Door Hinge "ALEON" / 83 mm	150
3D Door Hinge "AVALON" / 110 mm	151
3D Door Hinge "AVALON" / 90 mm	152
Installation Jigs For Window Hinges	153
Window Sash Jigs (Type B) - Options and Applications	154
Installation Jigs For Hinges	155

# Index

Page

Striker Jig Set	156
Pneumatic Cutting Press	157
Parallel Tilt & Slide System	160-164
Parallel Tilt & Slide System Selection Tables	166
Single Sash Parallel Tilt & Slide System	167
Double Sash Parallel Tilt & Slide System	168
Parallel Tilt & Slide System Detailed Information	169-170
Parallel Tilt & Slide System / Application & Content	171-173
Vertical Middle Lock	174
Horizontal Middle Lock With Latches	175
Horizontal Middle Lock Top	176
Gear Without Pins	177
Tilt Strikers	178
Cylinder Tilt & Turn Gear 25-180 mm	179-180
Cylinder Turn Gear 25-180 mm	181-182
Basic Sliding System	183-187
Sliding Gears	188
Sliding Gears 15 mm	189-190
Sliding Gears 7 mm	191-192
Cylinder Sliding Gears 15-180 mm / 25-180 mm	193-196
Cylinder Sliding Gears 17-92 mm	197-198
SPA 300 - Sliding Gear 28 mm	199
SPO 170 - Sliding Gear 18 mm	200
Strikers & Centre Locks for Sliding System	201-203
Basic Sliding Bogies / Plates	204-207
Outward Opening System	209-211
Perimetral Outward Opening System - Product Selection Table	215
Perimetral Outward Opening Variable Gears	216
Perimetral Outward Opening Centre Lock	217
Perimetral Outward Opening Corner Transmissions	219
Outward Opening Gears 15-20-22-25 mm / Strikers	220-224
Diagrams	225-226



Our company, which manufactures both metal and plastic components for windows and doors under the trademark of REZE was established in Istanbul in 2009.

We have a production area that spreads over 2 buildings and 18.000 square meters of closed facilities that are equipped with the most modern technology and machinery that constitute a dynamic structure which is capable of constantly updating itself and its modern machinery park.

Our company has a powerful R&D department, which in cooperation with TOOLING and AUTOMATION departments can design appropriate and useful products that adapt to the markets it exports to, which in the end helps us to make the high quality production that can reach and satisfy the end user in the best way possible.

### **Our Mission;**

Paying the best attention to our personnel and investing into them in order to create a strong foundation for the continuous production of high-quality and environmentally friendly products while also taking the preferences and wants of our clients.

### **Our Vision;**

We aim to fully maximize the perceiving of branding awareness with all our employees.

We also aim to maximize our global recognition in the near future by making appropriate investments in the markets where we operate, and plan to exist in.



DSTU - Ukraine



GOST - Russia



ISO 9001:2015



DIN EN 13126-8:2018-01

## Reze Warranty ;

- Tilt & Turn Systems, Multipoint Door Locks and Adjustable Door Hinges under Reze trademark are manufactured by Yaba Yapı Donanımları San. ve Tic. Ltd. Şti. in the factory that located in Istanbul.
- Yaba Yapı Donanımları San. ve Tic. Ltd. Şti. company tends to the highest level of the quality in the production process, sales and support for all of its products in order to meet needs and expectations of its customers and end users.
- All products are regularly held at the quality test on special equipment in accordance with EN norms.
- All our special manufacturing technologies and know-hows according the products are appropriately registered and have the Utility Model Certificate No. TR 2009 08100 Y.
- Tilt & Turn systems tests are conducted in accordance on compliance with the standard EN 13126-8: 2006 (15.000 tilt and turn opening cycles).
- Door hinges tests are conducted in accordance on compliance with the standard EN1935: 2002. (200.000 cycles of opening).
- All galvanic coated production is tested for compliance with EN 1670-1, and tests are carried out on special equipment and in accordance with the requirements of ISO 9227.

## Guarantee Conditions;

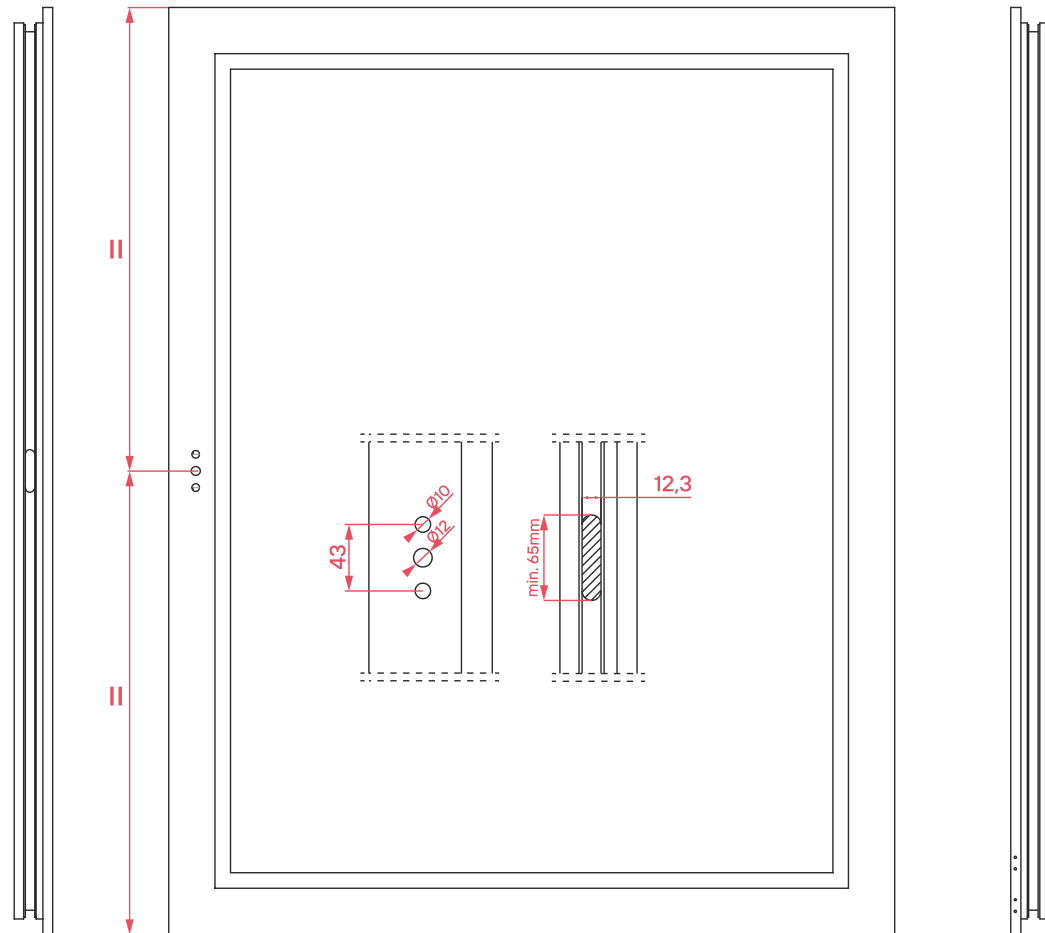
- In case of installation was done according to instructions and the recommendations of manual, the warranty of perform a mechanical process of opening and closing for all products is 10 years.
- The guarantee does not apply to cases in which the product or part thereof comes into disrepair as a result of improper installation, damage caused or the impact of unusual weather conditions and force majeure.
- Products, that appropriate to warranty conditions should be replaced by the manufacturer.



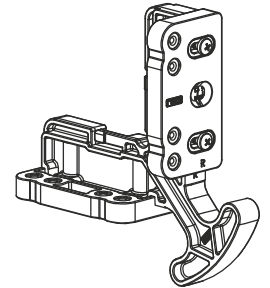
A close-up, grayscale photograph of a window's internal mechanism. The image shows the upper part of a window frame with a hinge and a balance arm. The text is overlaid on this image.

# Installation, Adjustment & Maintenance

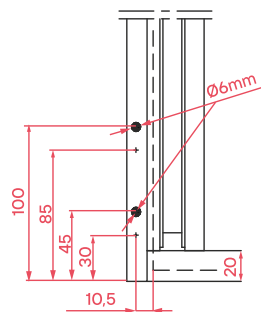
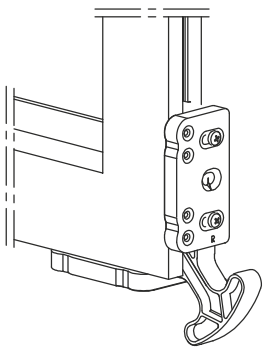
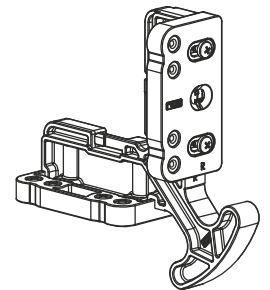
# Casement Drilling & Montage



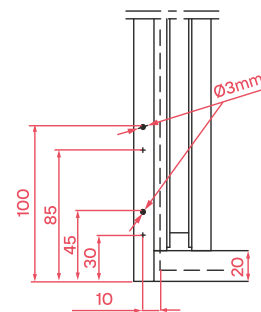
- Casement Jig;  
 • Product Code : 222103  
 • Axis 9/13 mm  
 • Right/Left  
 • Hole diameter 3 mm  
 • Color - Red



- Casement Jig;  
 • Product Code : 222104  
 • Axis 9/13 mm  
 • Right/Left  
 • Hole diameter 6 mm  
 • Color - Red

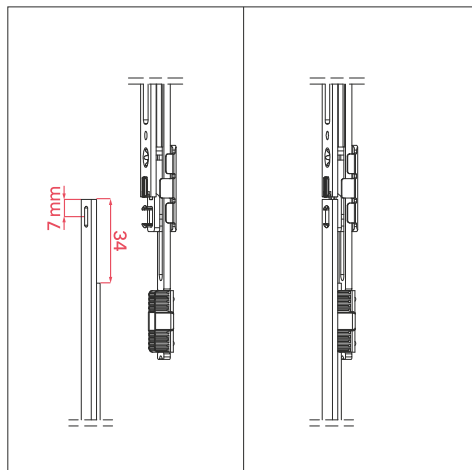


Drilling depth 23 mm



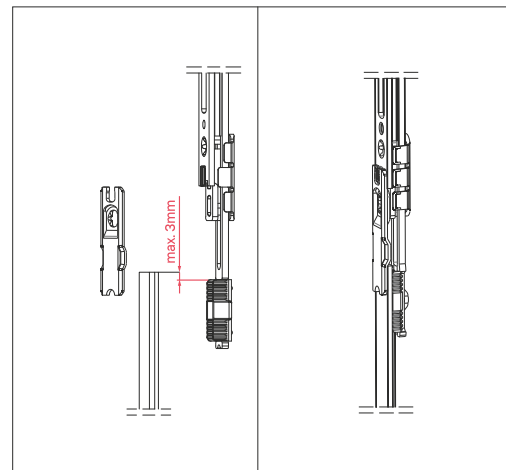
Drilling depth 4 mm

Application with cutting by pneumatic press

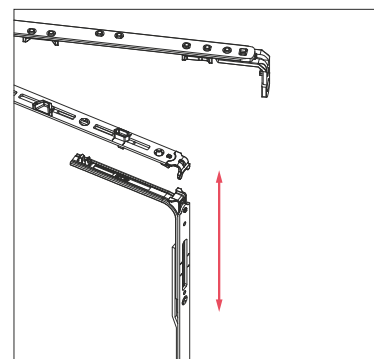
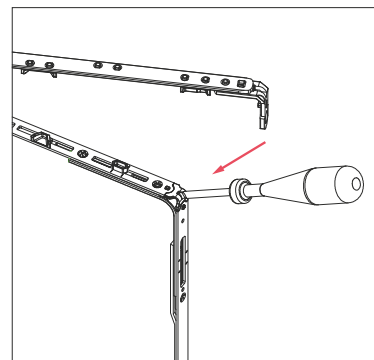
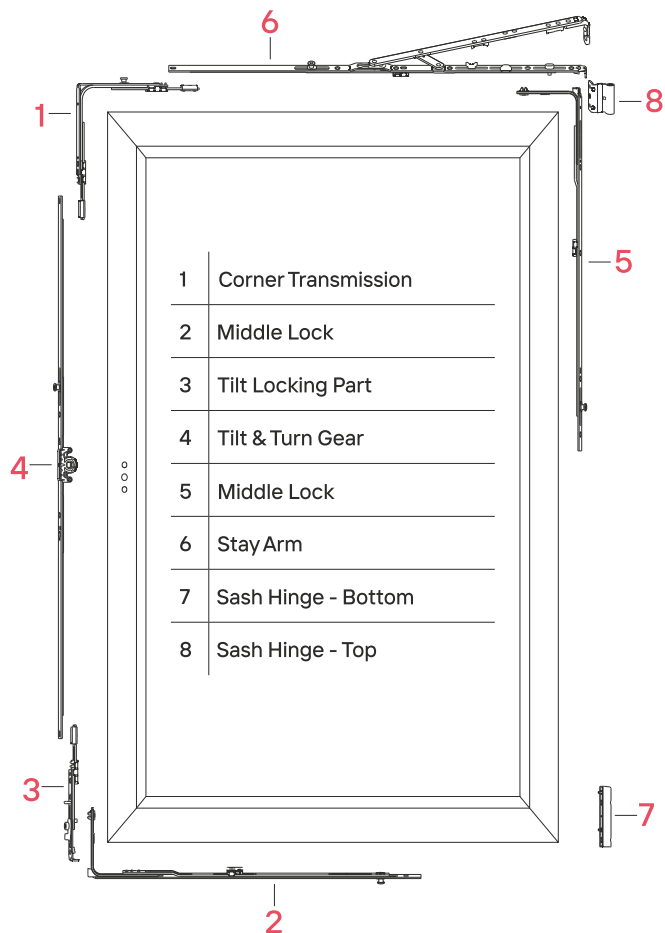


Connecting Parts is not apply

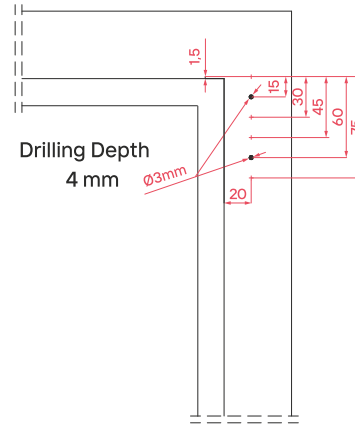
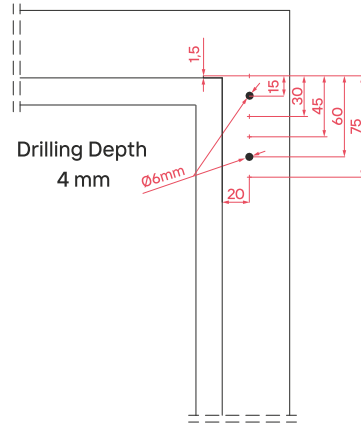
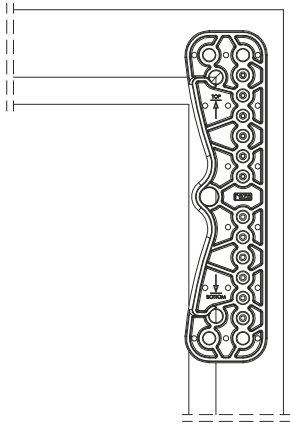
Application with manual cutting



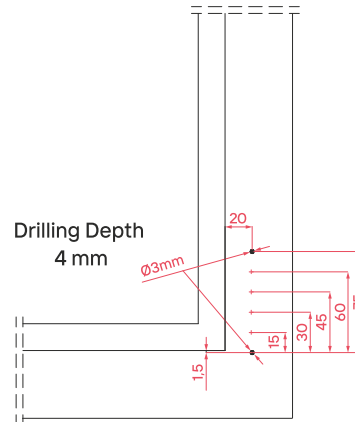
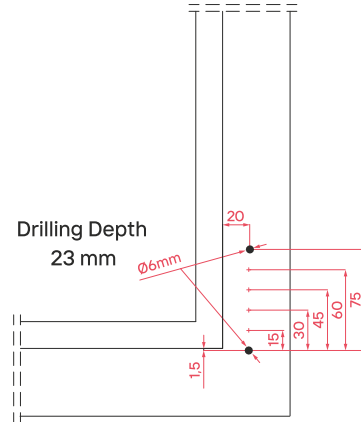
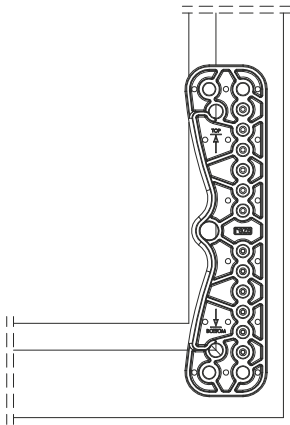
Connecting Parts is apply



# Frame Drilling & Montage



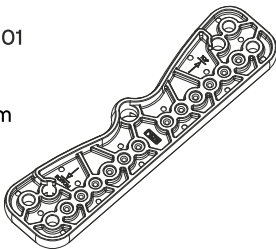
Frame Hinge Top



Frame Hinge Bottom

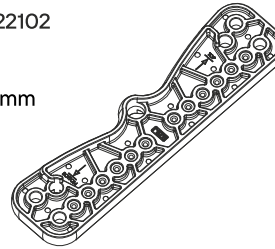
## Frame Jig

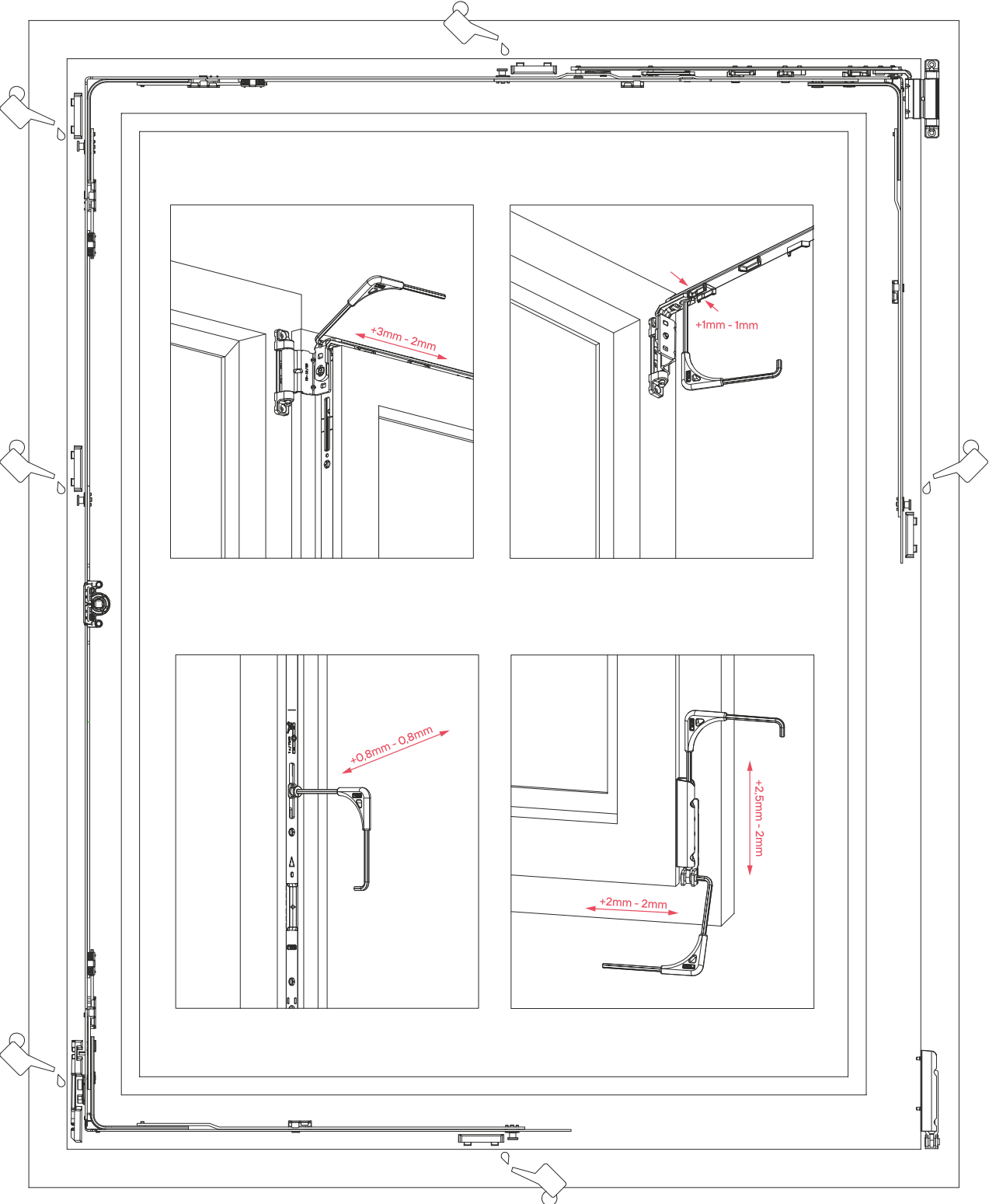
- Product Code: 222101
- Axis 9/13 mm
- Right/Left
- Hole diameter 3 mm
- Color - Red

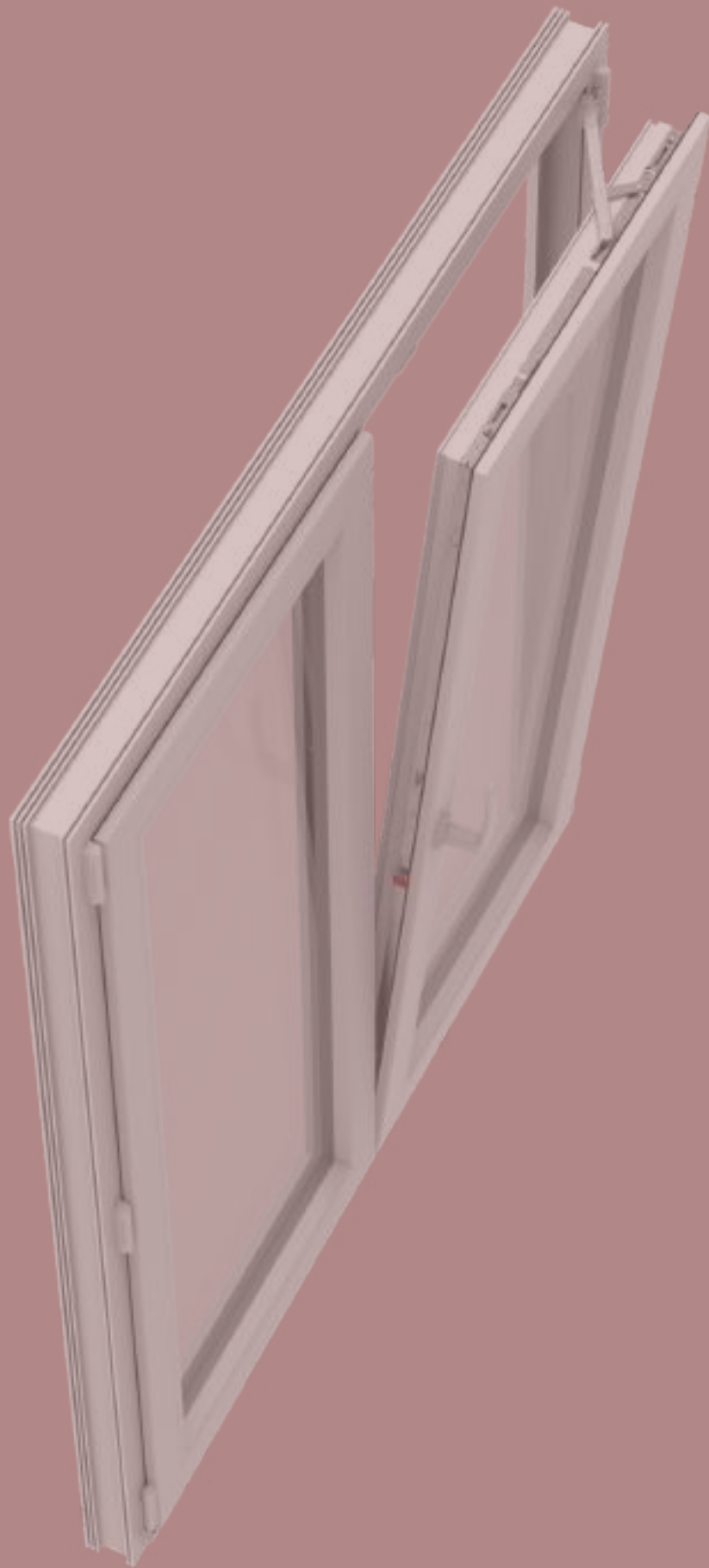


## Frame Jig

- Product Code: 222102
- Axis 9/13 mm
- Right/Left
- Hole diameter 6 mm
- Color - Red







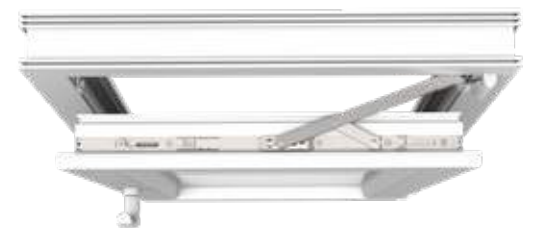


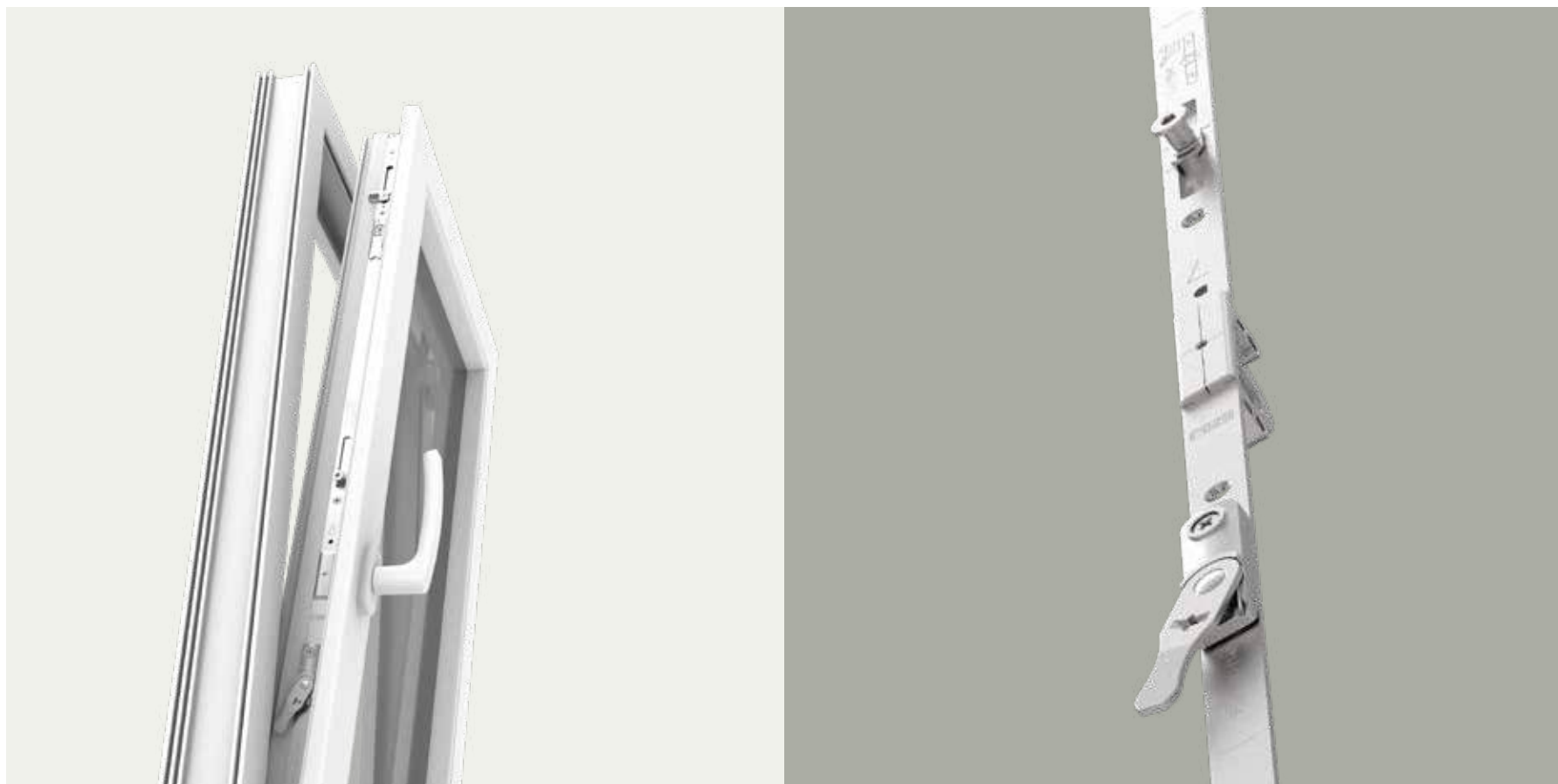
# Window Hardware

## Tilt & Turn System

Security pins and special designed strikers, that include in standard complectation allow you to initially provide basic security for closed casement.

Universal Mishandling & Lifting Device provides high-quality operation of the element as a lifter function. If necessary, adjustment is possible in the counterpart according to height.





## Tilt & Turn System

---

The special design of the Top hinge on the sash with bevels at an angle of 45° allows you to reduce blowing in one of the most affected areas - the upper corner, where it is located directly.

The Night-vent function are implemented very conveniently.  
The special Corner Transmission is universal for right and left opening.  
It is possible to install a space for ventilation from 2 mm to 20 mm.  
Strikers is also universal for both axis, for 9 mm and 13 mm.







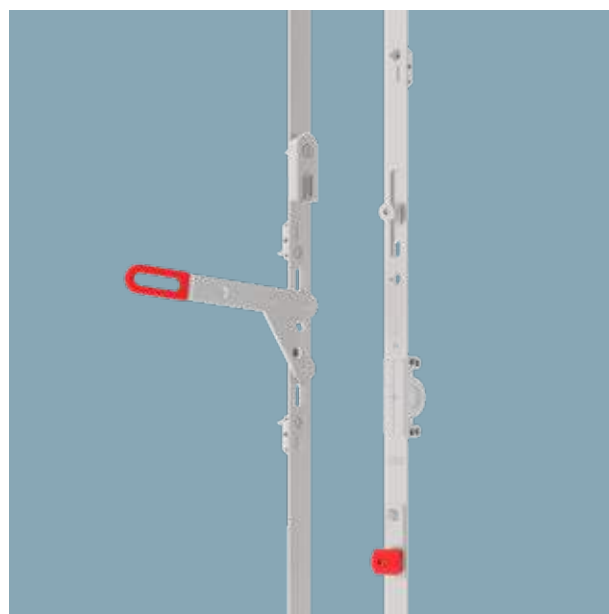
## Double Casement System

On the Stay Arms larger than 650 mm specially designed strikers mechanism, which allows to facilitate the work of wide sash when closing. This function is reminiscent of door closer does the work of large and heavy casements more convenient and comfortable.



---

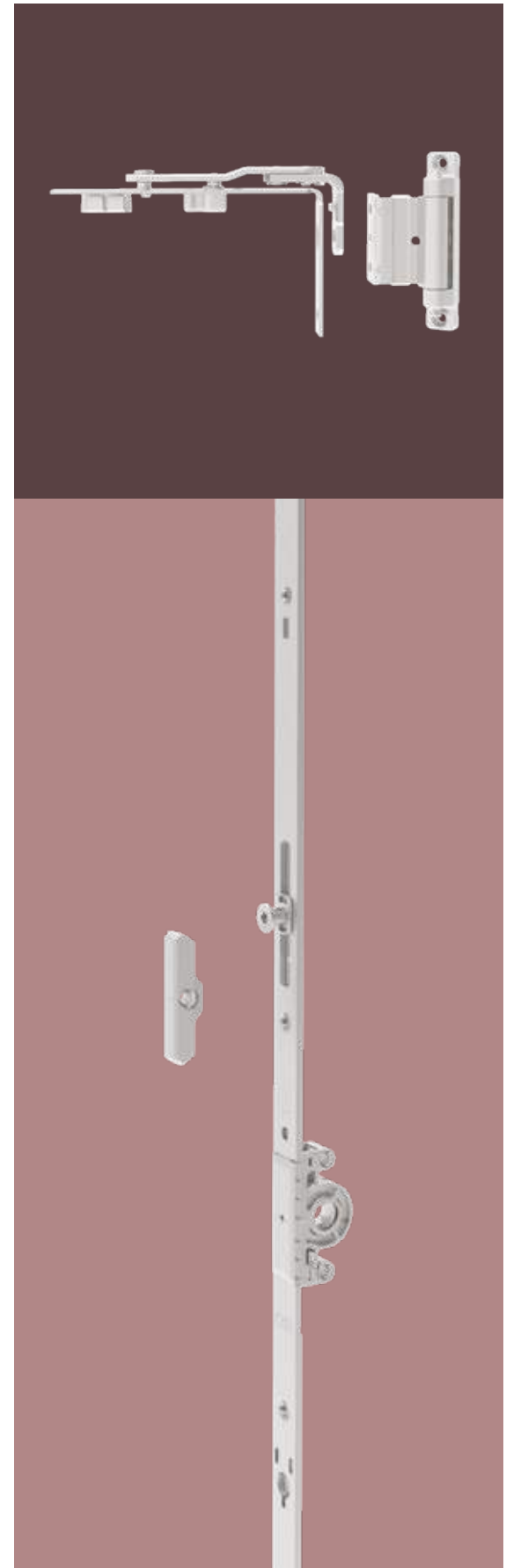
Double Sash Gear differs in soft work and provides dense closing of a shutter on double casement windows.





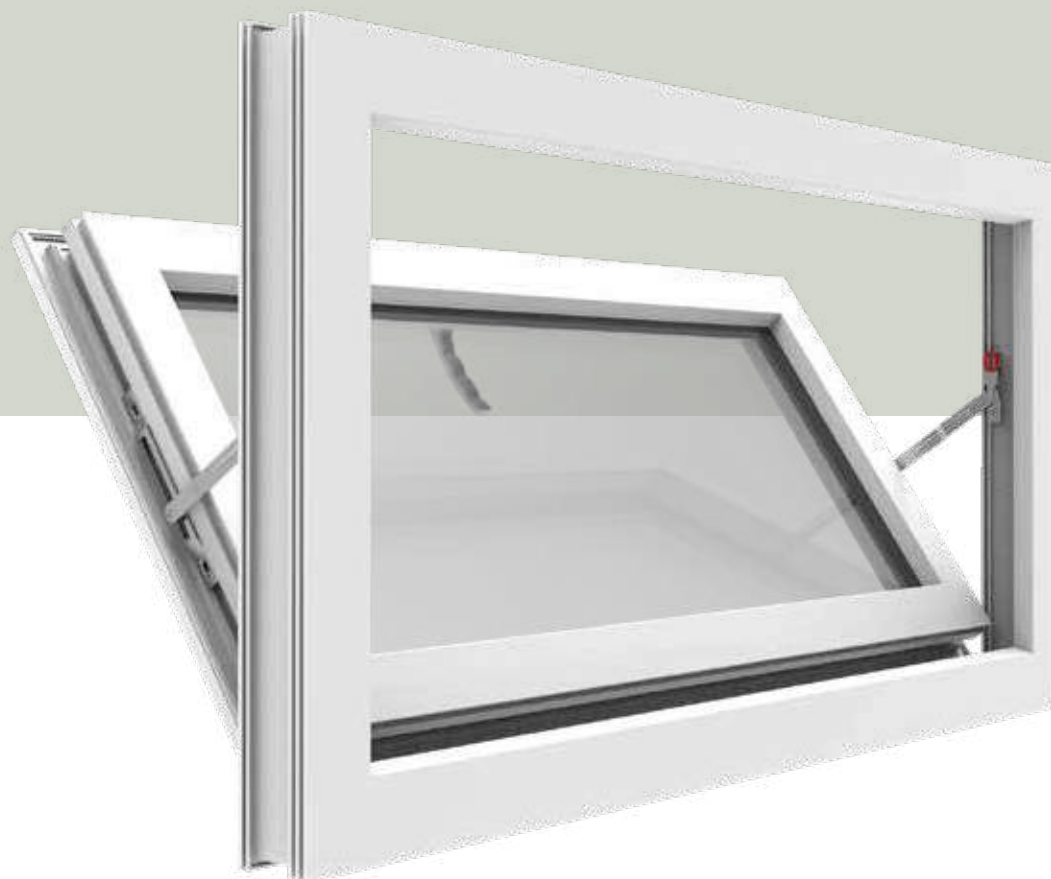
## Turn Only System

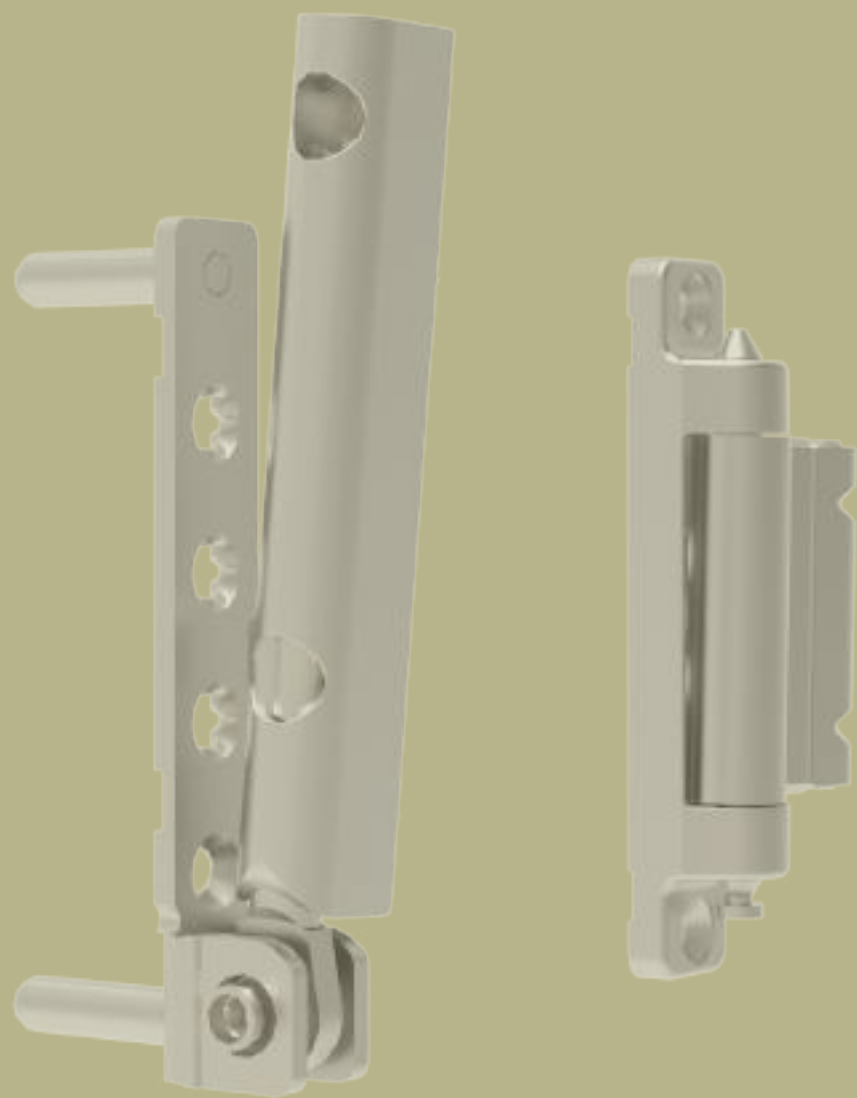
All elements of the Turn Only System can minimize heat loss and have sufficient durability.



## Tilt Stay System

Tilt stay can be used both on the sides of the sash and on the top. The mechanism for removing traction from the frame is easy and convenient to use.







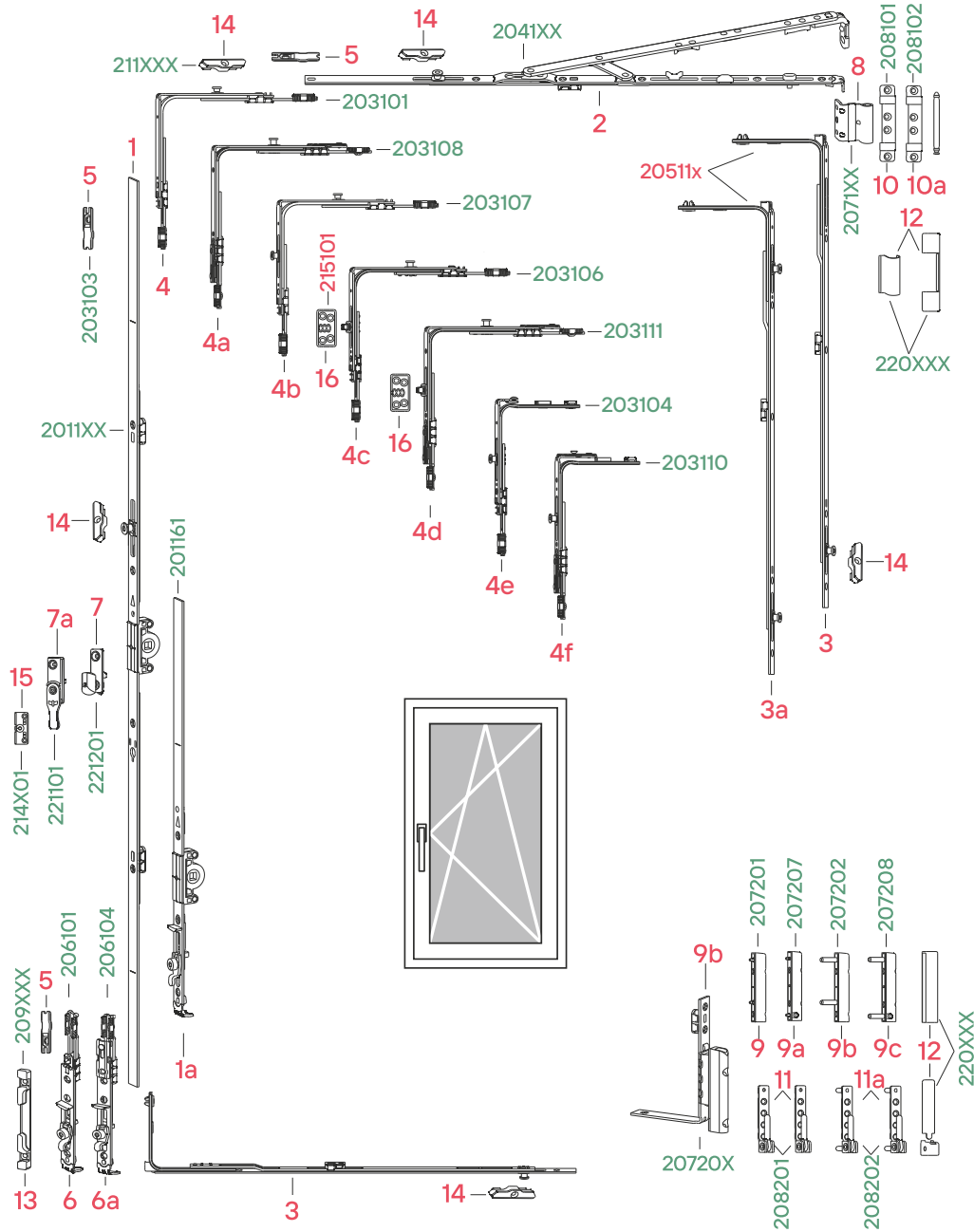
Window  
Hardware  
Selection  
Tables



# Product Selection Table

## Tilt & Turn / Vertical System

Page



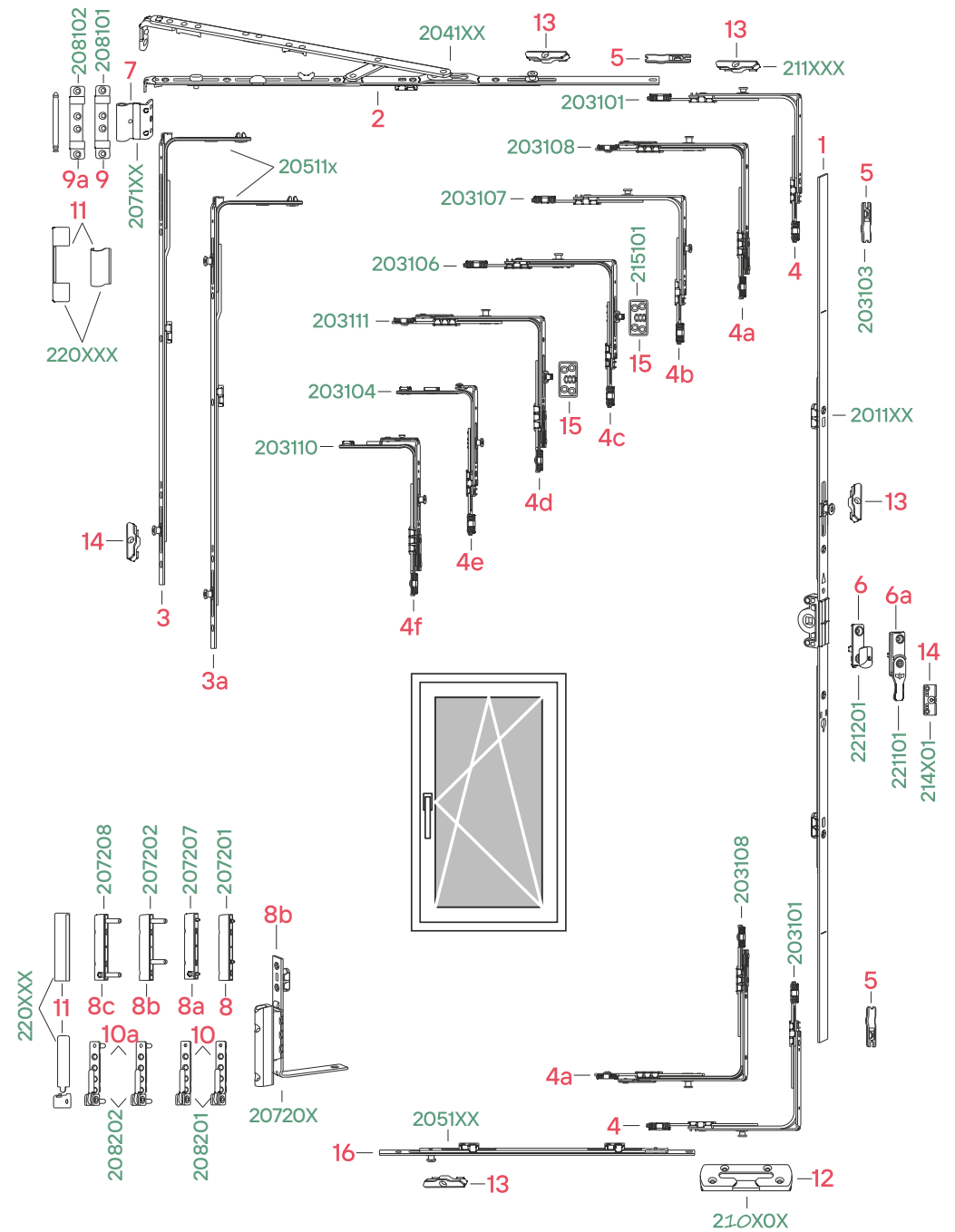
1	Tilt & Turn Gears	40-41
2	Stay Arm Sets	46-47
3	Middle Locks	50-51
4	Corner Transmissions	57-65
5	Connecting Parts	56
6	Tilt Locking Parts	67-68
7	Mishandling Devices	96
8	Sash Hinges - Top	71
9	Sash Hinges - Bottom	72-76
10	Frame Hinges - Top	77-78
11	Frame Hinges - Bottom	79-80
12	Plastic Covers	88
13	Vertical Tilt Locking Plates	90-91
14	Locking Plates	90-91
15	Mishandling Device Locking Plates	92
16	Night-Vent Locking Plate	92

# Product Selection Table

## Tilt & Turn / Horizontal System

Page |

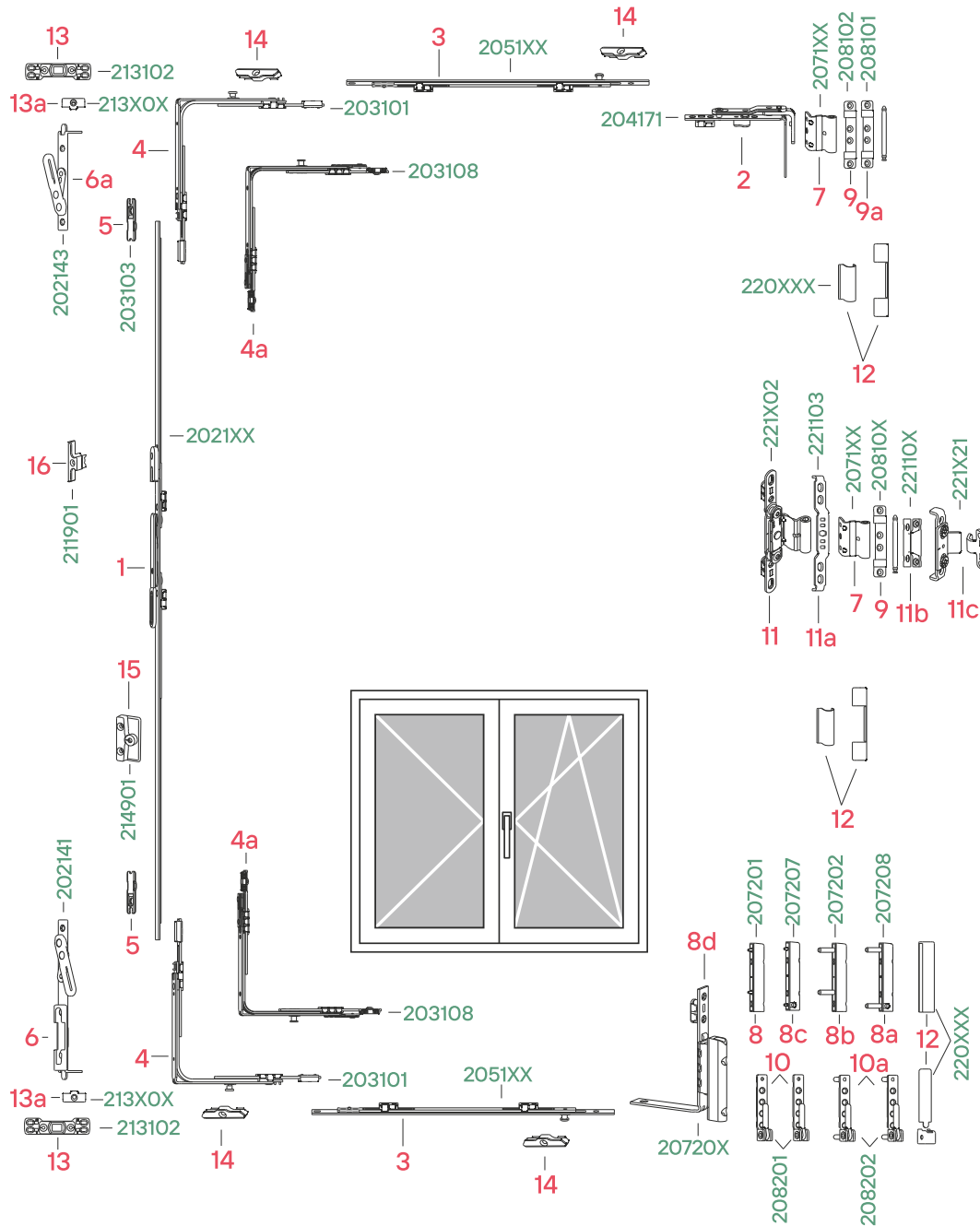
1	Tilt & Turn Gears	40-41
2	Stay Arm Sets	46-47
3	Middle Locks	50-51
4	Corner Transmissions	57-65
5	Connecting Parts	56
6	Mishandling Devices	96
7	Sash Hinges - Top	71
8	Sash Hinges - Bottom	72-76
9	Frame Hinges - Top	77-78
10	Frame Hinges - Bottom	79-80
11	Plastic Covers	88
12	Horizontal Tilt Locking Plates	90-91
13	Locking Plates	90-91
14	Mishandling Device Locking Plates	92
15	Night-Vent Locking Plate	92
16	Centre Locks	52



# Product Selection Table

## Double Casement Application / Variable Handle (Centred)

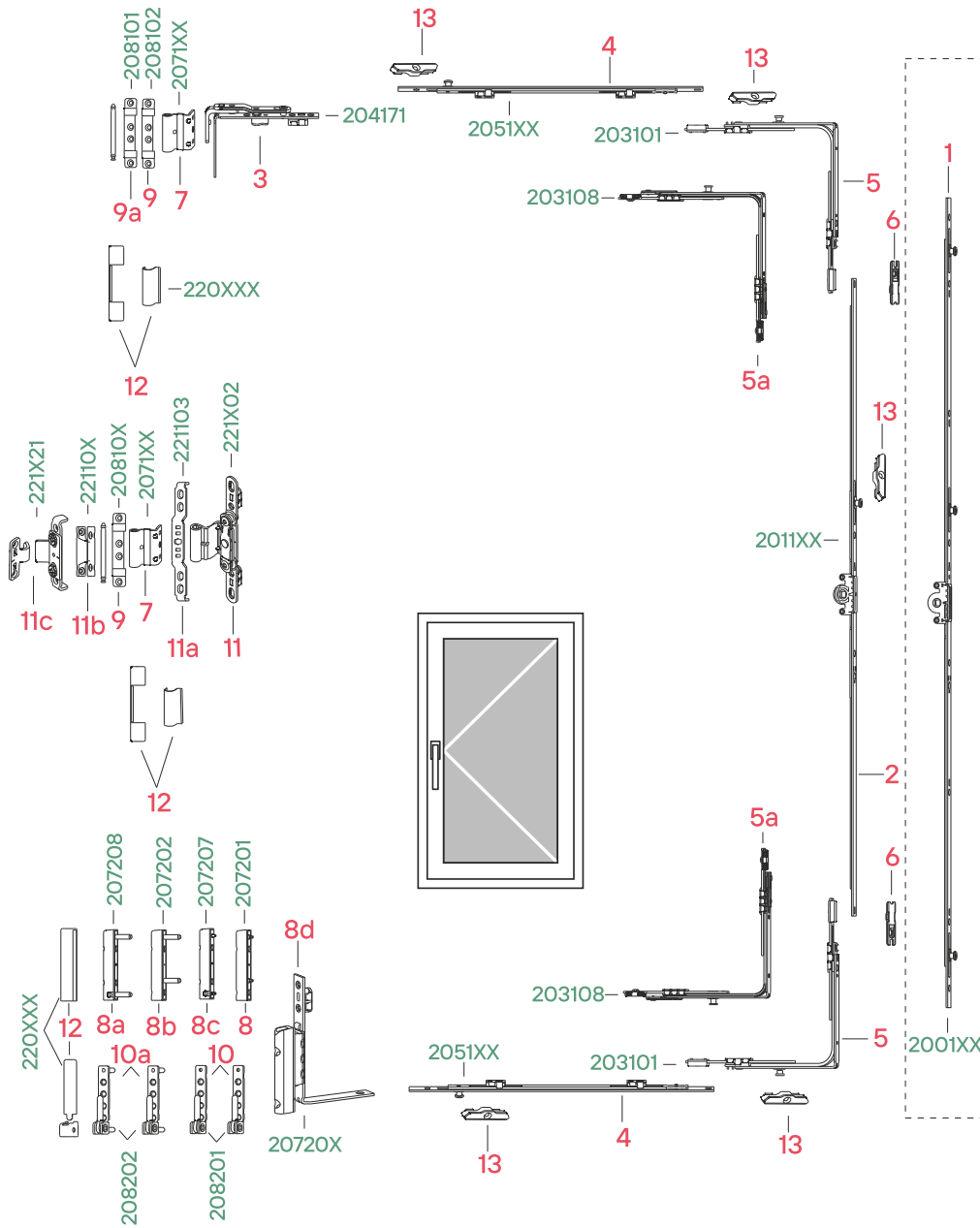
Page



1	Double Sash Gears	45
2	Adjustable Side Hung Hinge	81
3	Centre Locks	52
4	Corner Transmissions	57-65
5	Connecting Parts	56
6	Bolts	101-105
7	Sash Hinges - Top	71
8	Sash Hinges - Bottom	72-76
9	Frame Hinges - Top	77-78
10	Frame Hinges - Bottom	79-80
11	Middle Hinges	82-83
12	Plastic Covers	88
13	Bolt Locking Plates	92
14	Locking Plates	90-91
15	Mishandling Device Locking Plate	92
16	Double Sash Locking Plate	90

# Product Selection Table

## Turn Only System / 1. Application



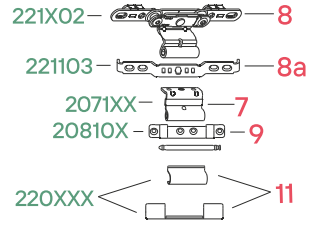
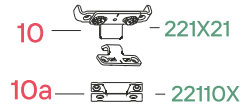
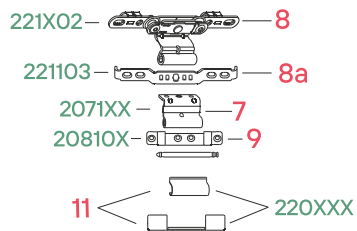
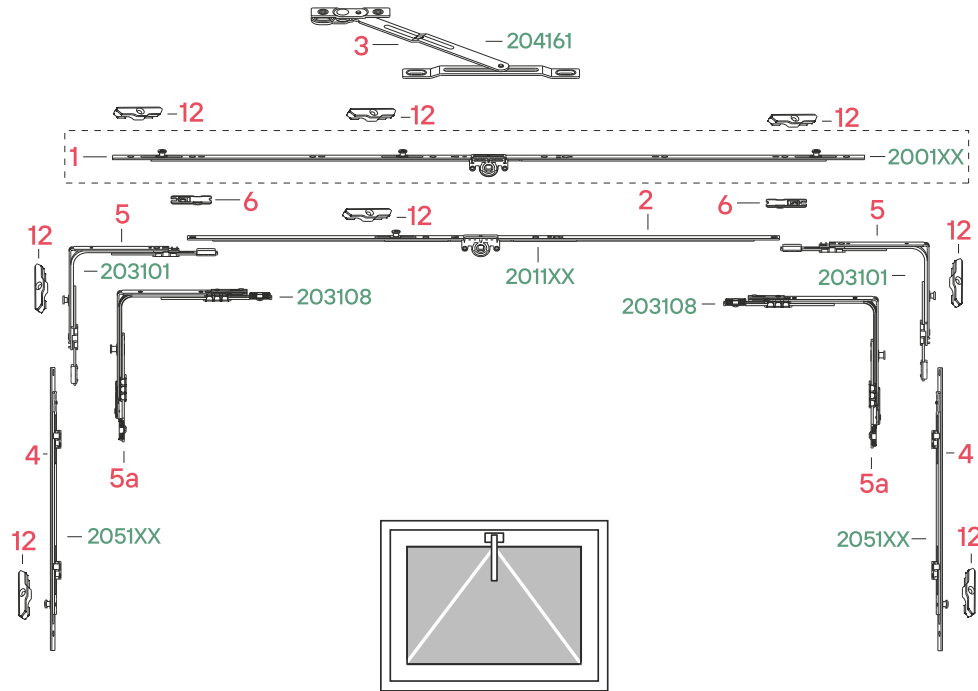
Page

1	Turn Gears	43-44
2	Tilt & Turn Gears	40-41
3	Adjustable Side Hung Hinge	81
4	Centre Locks	52-53
5	Corner Transmissions	57-65
6	Connecting Parts	56
7	Sash Hinges - Top	71
8	Sash Hinges - Bottom	72-76
9	Frame Hinges - Top	77-78
10	Frame Hinges - Bottom	79-80
11	Middle Hinges	82-83
12	Plastic Covers	88
13	Locking Plates	90-91



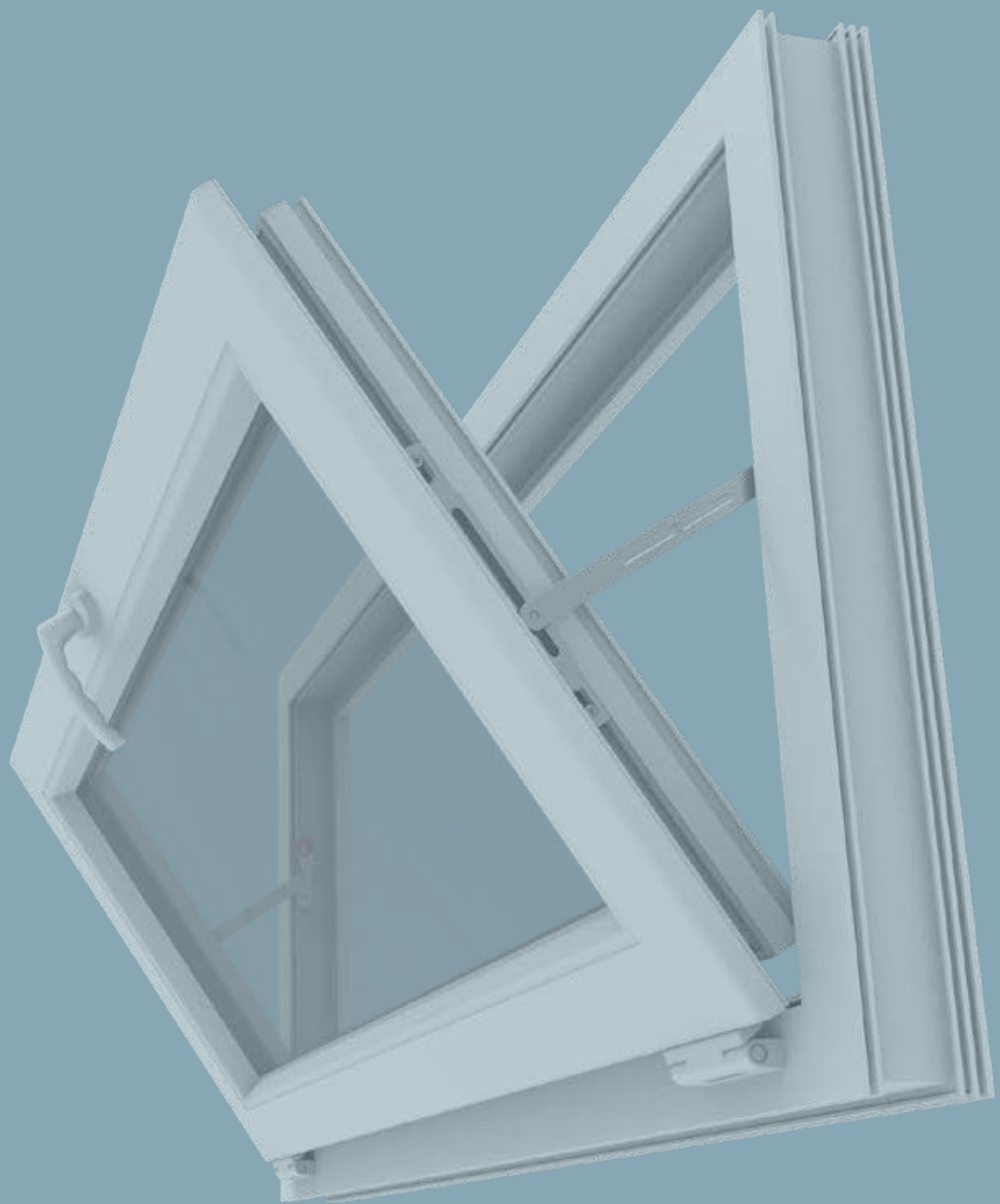
# Product Selection Table

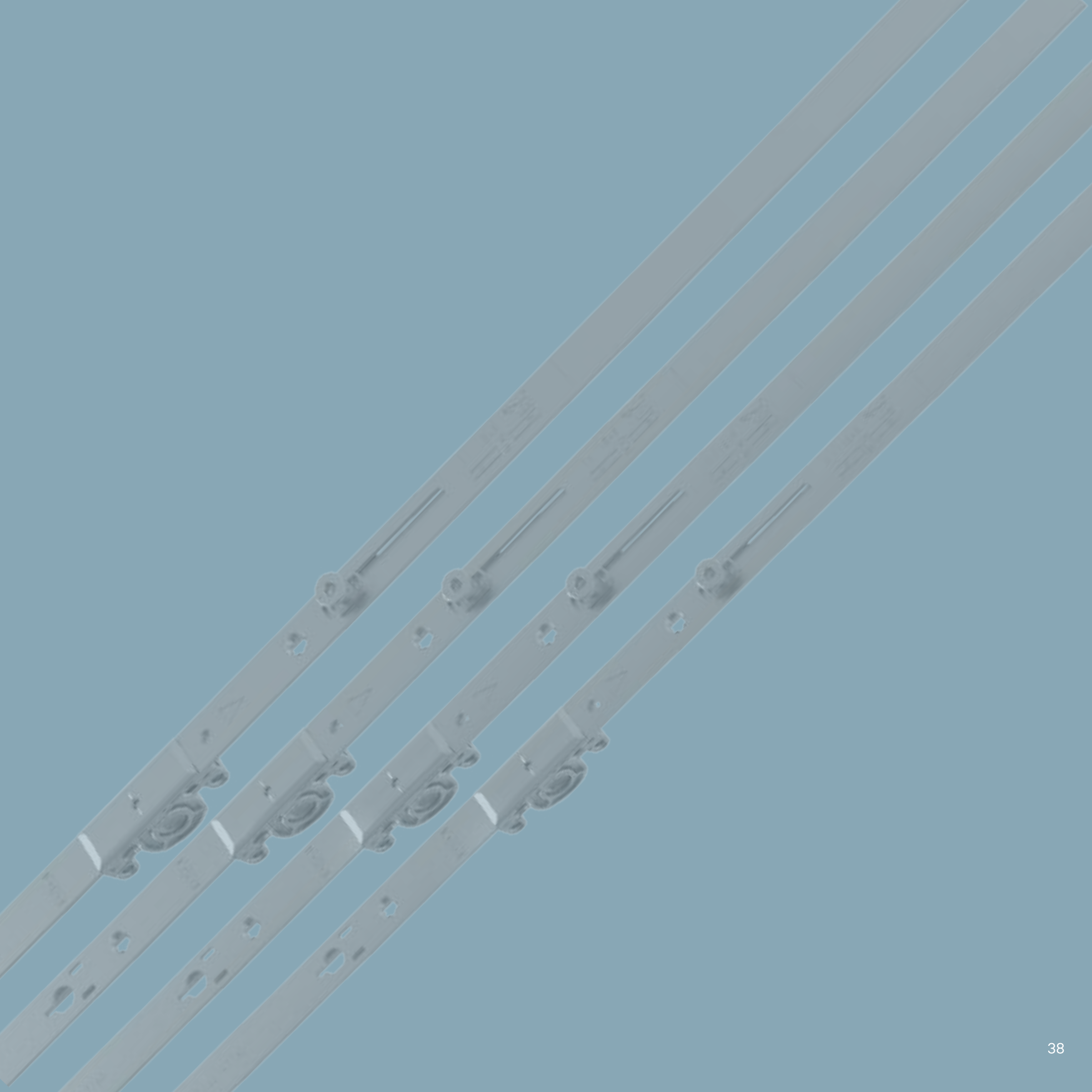
## Tilt Stay Application



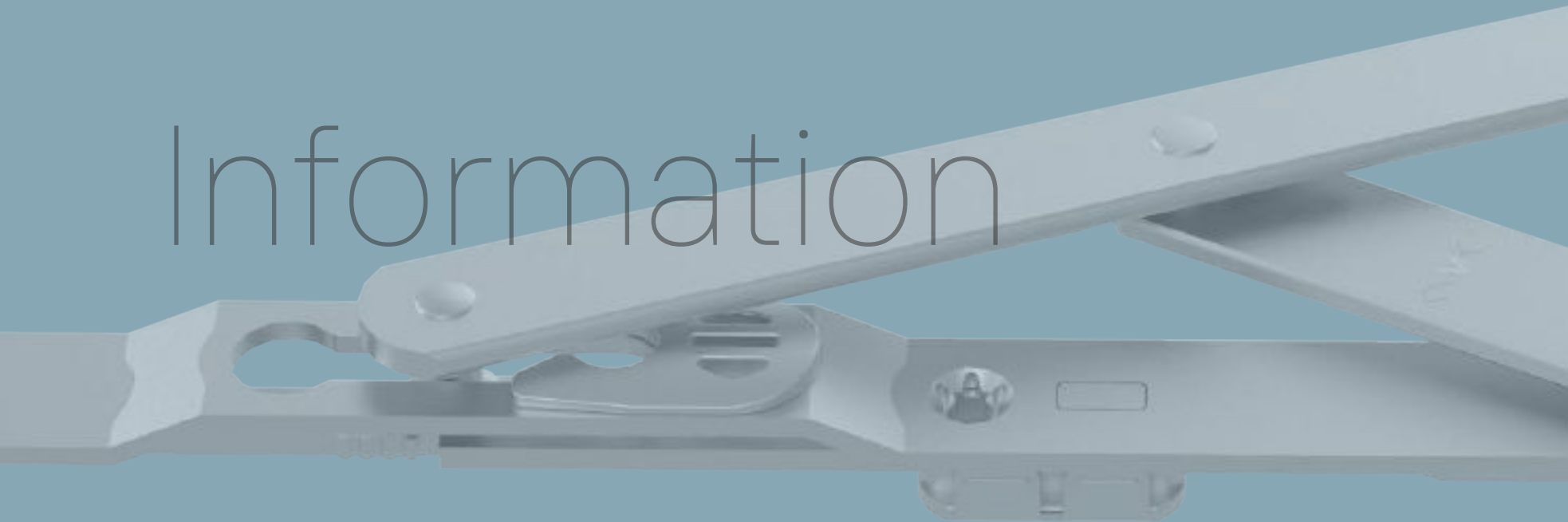
Page

1	Turn Gears	43-44
2	Tilt & Turn Gears	40-41
3	Adjustable Side Hung Hinge	48
4	Centre Locks	52
5	Corner Transmissions	57-65
6	Connecting Parts	56
7	Sash Hinges - Top	71
8	Middle Hinges	82-83
9	Frame Hinges - Top	77-78
10	Compression Hinges	84
11	Plastic Covers	88
12	Locking Plates	90-91

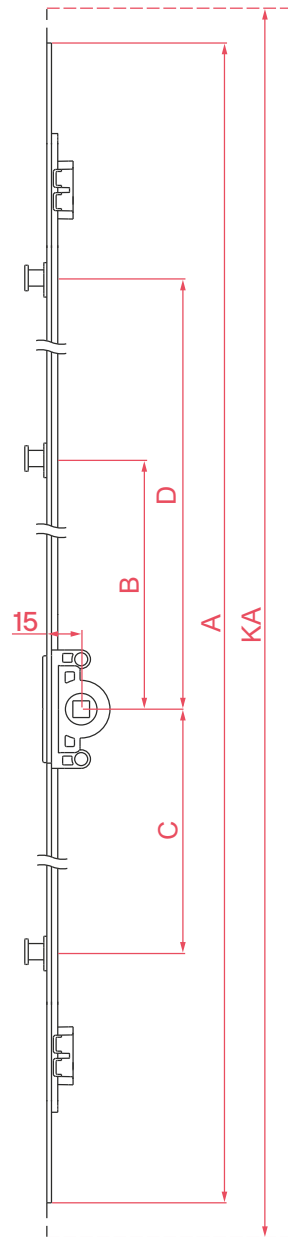




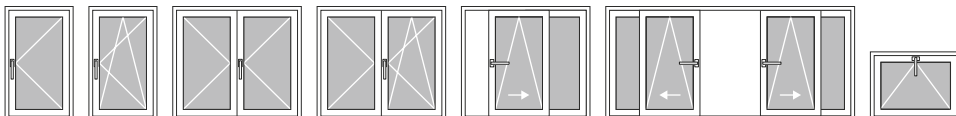
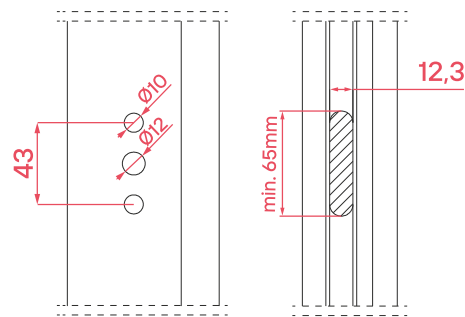
# Window Hardware Detailed Information



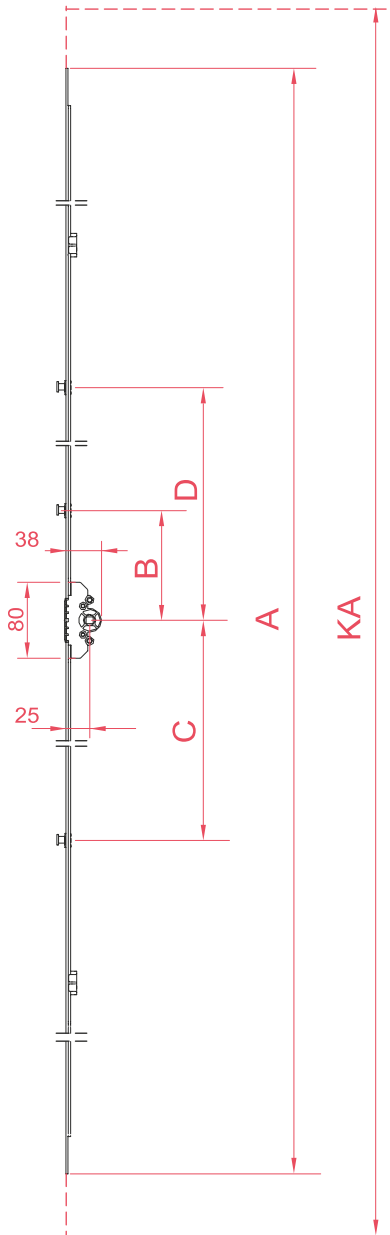
## Centered / Variable Handle Height / 15mm Backset



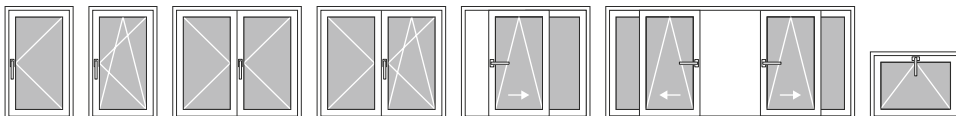
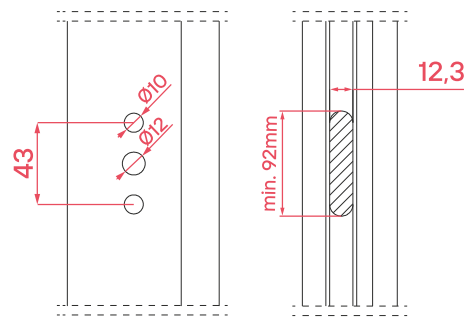
Code	Description	KA (mm)	A (mm)	B (mm)	C (mm)	D (mm)		
201121	SP 1 Tilt & Turn Gear	500 - 660	400	-	-	-	-	10
201122	SP 2 Tilt & Turn Gear	661 - 1160	900	115	-	-	1	10
201123	SP 3 Tilt & Turn Gear	900 - 1400	1140	115	-	-	1	10
201124	SP 4 Tilt & Turn Gear	1161 - 1660	1400	115	304	-	2	10
201125	SP 5 Tilt & Turn Gear	1661 - 2160	1900	115	438	438	3	10
201126	SP 6 Tilt & Turn Gear	1900 - 2400	2140	115	438	438	3	10



## Centered / Variable Handle Height / 25mm Backset

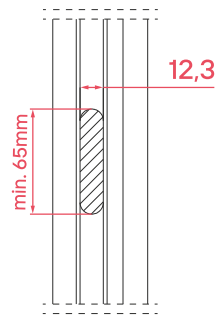
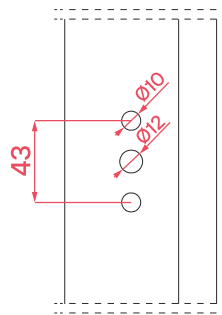
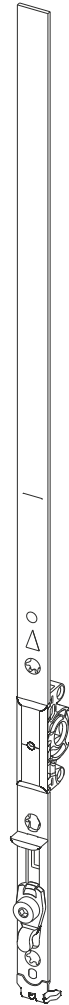
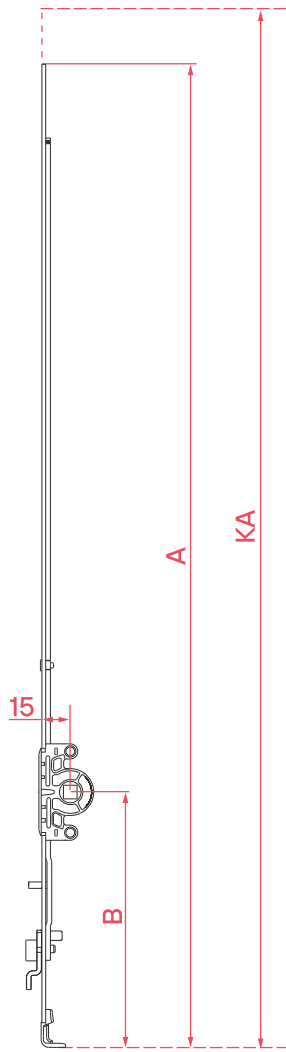



Code	Description	KA (mm)	A (mm)	B (mm)	C (mm)	D (mm)	Icon 1	Icon 2
201144	Tilt & Turn Variable Gear - SP 4	1161 - 1660	1400	115	304	-	2	20
201145	Tilt & Turn Variable Gear - SP 5	1661 - 2160	1900	115	438	438	3	20
201146	Tilt & Turn Variable Gear - SP 6	1900 - 2400	2140	115	438	438	3	20

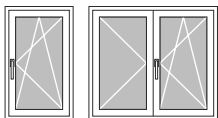


# Tilt & Turn Gear

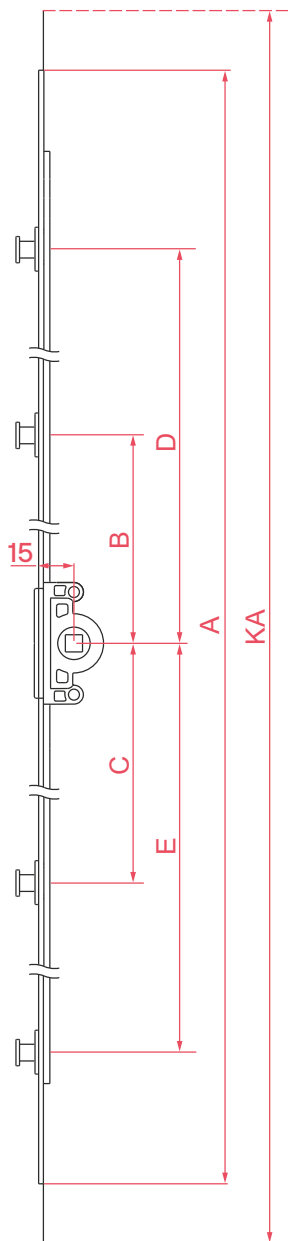
## Centered / Constant Handle Height / 15mm Backset



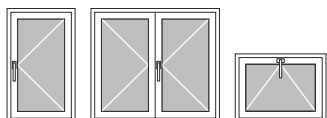
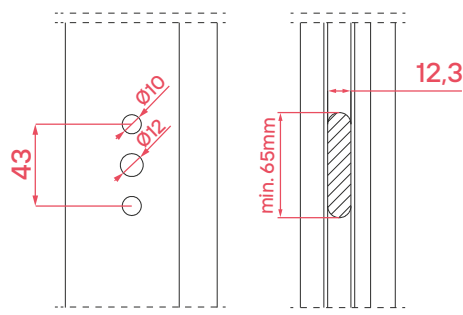
Code	Description	KA (mm)	A (mm)	B (mm)		
201161	SP 1- Tilt & Turn Constant Handle	400 - 650	520	135	1	10



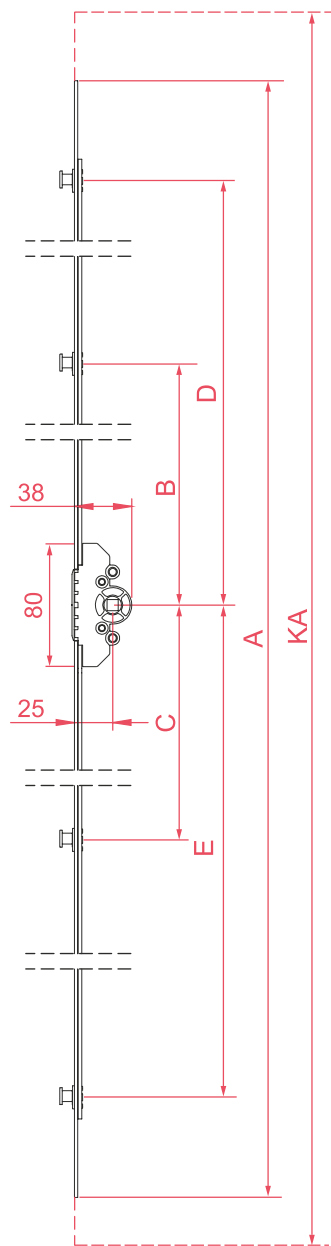
## Centered / Variable Handle Height / 15mm Backset




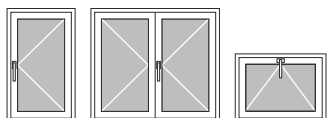
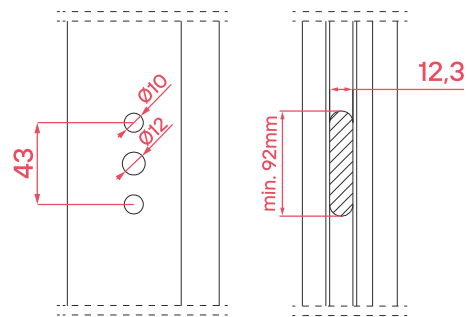
Code	Description	KA (mm)	A (mm)	B (mm)	C (mm)	D (mm)	E (mm)		
200101	SP190 Turn Variable Gear 15 mm	190 - 280	160	-	-	36	-	1	20
200102	SP280 Turn Variable Gear 15 mm	280 - 400	280	-	-	72	90	2	20
200103	SP400 Turn Variable Gear 15 mm	400 - 600	400	-	-	126	144	2	20
200104	SP600 Turn Variable Gear 15 mm	600 - 800	600	-	-	226	244	2	20
200105	SP800 Turn Variable Gear 15 mm	800 - 1000	800	-	-	326	344	2	20
200106	SP1000 Turn Variable Gear 15 mm	1000 - 1200	1000	106	-	426	444	3	20
200107	SP1200 Turn Variable Gear 15 mm	1200 - 1400	1200	106	-	526	544	3	20
200108	SP1400 Turn Variable Gear 15 mm	1400 - 1600	1400	106	-	626	644	3	20
200109	SP1600 Turn Variable Gear 15 mm	1600 - 1800	1600	106	-	726	744	3	20
200110	SP1800 Turn Variable Gear 15 mm	1800 - 2000	1800	270	288	826	844	4	20
200111	SP2000 Turn Variable Gear 15 mm	2000 - 2200	2000	302	320	926	944	4	20



## Centered / Variable Handle Height / 15mm Backset

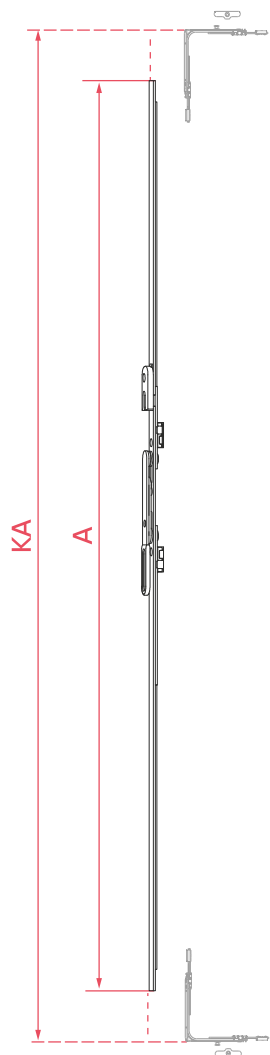


Code	Description	KA (mm)	A (mm)	B (mm)	C (mm)	D (mm)	E (mm)		
200229	Turn Variable Gear - SP 1600 / 25 mm	1600 - 1800	1600	115	-	735	735	3	20
200230	Turn Variable Gear - SP 1800 / 25 mm	1800 - 2000	1800	279	279	835	835	4	20
200231	Turn Variable Gear - SP 2000 / 25 mm	2000 - 2200	2000	311	311	935	935	4	20

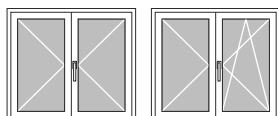


# Double Sash Variable Gear

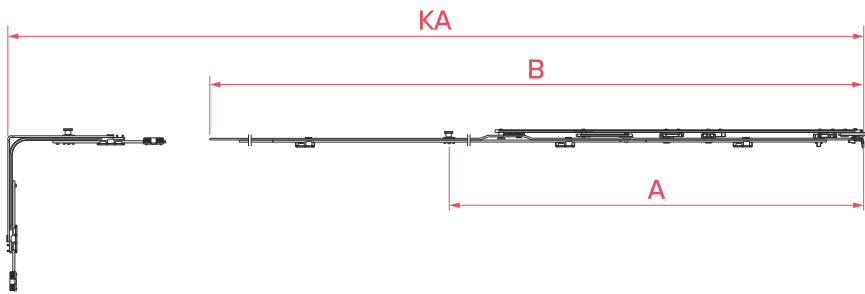
## Double Sash Variable Gear / Centered





Code	Description	KA (mm)	A (mm)	
202101	CSP 1 Double Sash Gear	560 - 660	400	10
202102	CSP 2 Double Sash Gear	661 - 1160	900	10
202103	CSP 3 Double Sash Gear	900 - 1400	1140	10
202104	CSP 4 Double Sash Gear	1161 - 1660	1400	10
202105	CSP 5 Double Sash Gear	1661 - 2160	1900	10
202106	CSP 6 Double Sash Gear	1900 - 2400	2140	10



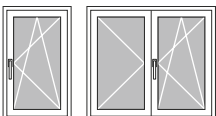
# Stay Arm Set



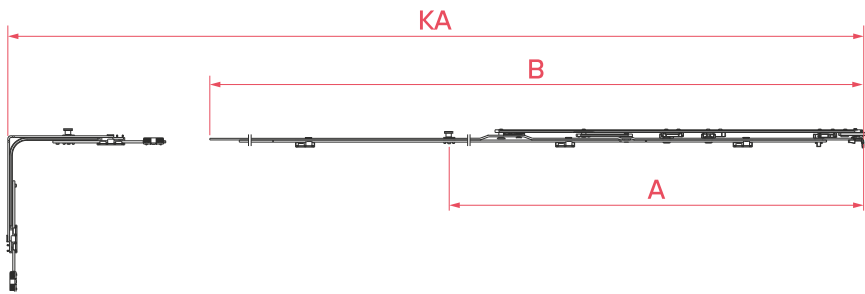
Code	Description	KA (mm)	A (mm)	B (mm)		
204100	MK 0 Stay Arm Set	340 - 410 *375 - 410	-	280	-	10
204101	MK 1 Stay Arm Set	411 - 650 *446 - 650	-	520	-	10
204111	MK 15 Stay Arm Set	500 - 745	-	610	-	10
204102	MK 2 Stay Arm Set	651 - 900	440	770	1	10
204103	MK 3 Stay Arm Set	901 - 1150	564	1020	1	10
204104	MK 4 Stay Arm Set	1151 - 1400	718	1270	1	10





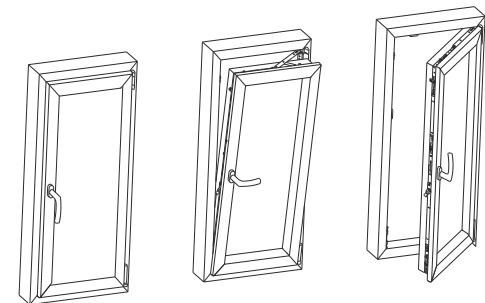
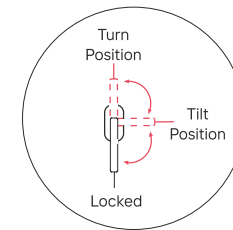
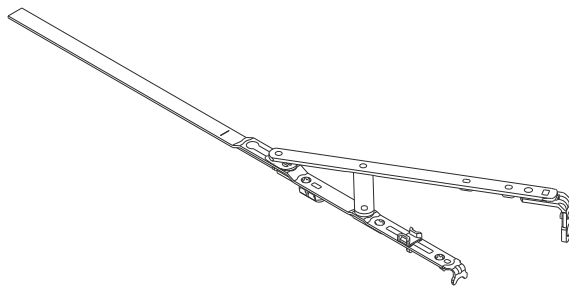
\*In use with Corner Transmission with Covers, range of application of the Stay Arms 204100 and 20410 is change



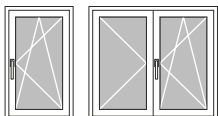
# Tilt First Stay Arm Set



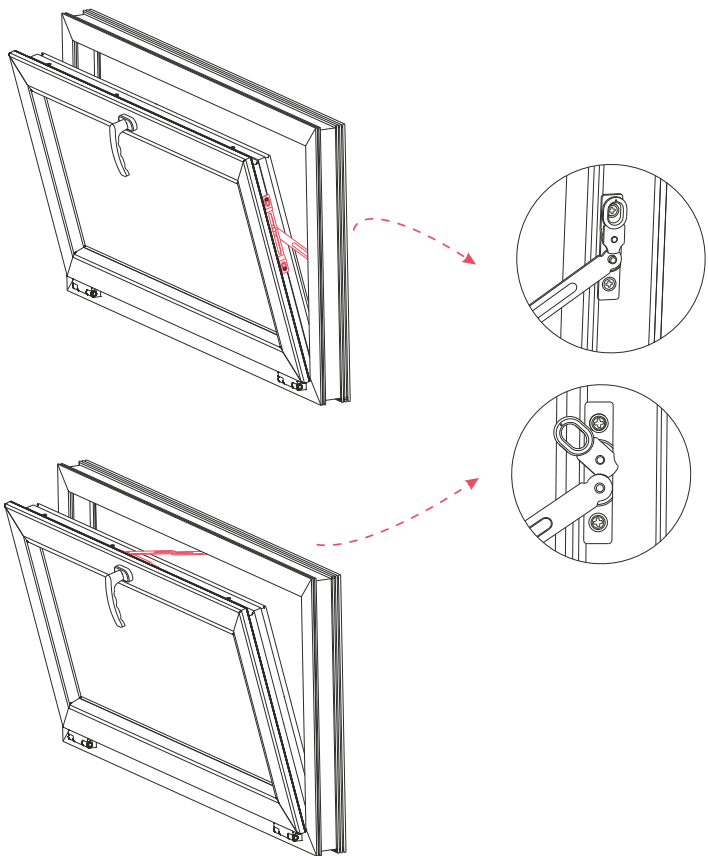
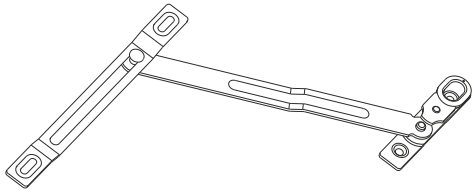
Code	Description	KA (mm)	A (mm)	B (mm)		
204113	Tilt First Stay Arm Set MK 0	340 - 410 *375 - 410	-	280	-	10
204114	Tilt First Stay Arm Set MK 1	411 - 650 *446 650	-	520	-	10
204115	Tilt First Stay Arm Set MK 2	651 - 900	440	770	1	10
204116	Tilt First Stay Arm Set MK 3	901 - 1150	564	1020	1	10
204117	Tilt First Stay Arm Set MK 4	1151 - 1400	718	1270	1	10




\*In use with Corner Transmission with Covers, range of application of the Stay Arms 204100 and 20410 is change




# Tilt Stay

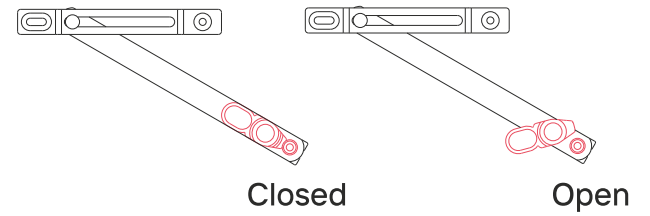
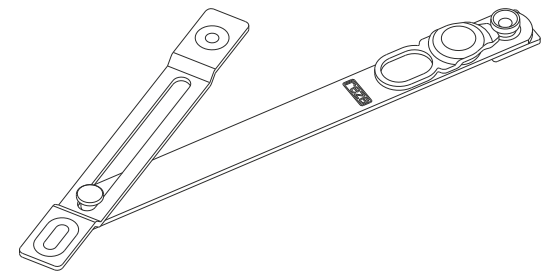
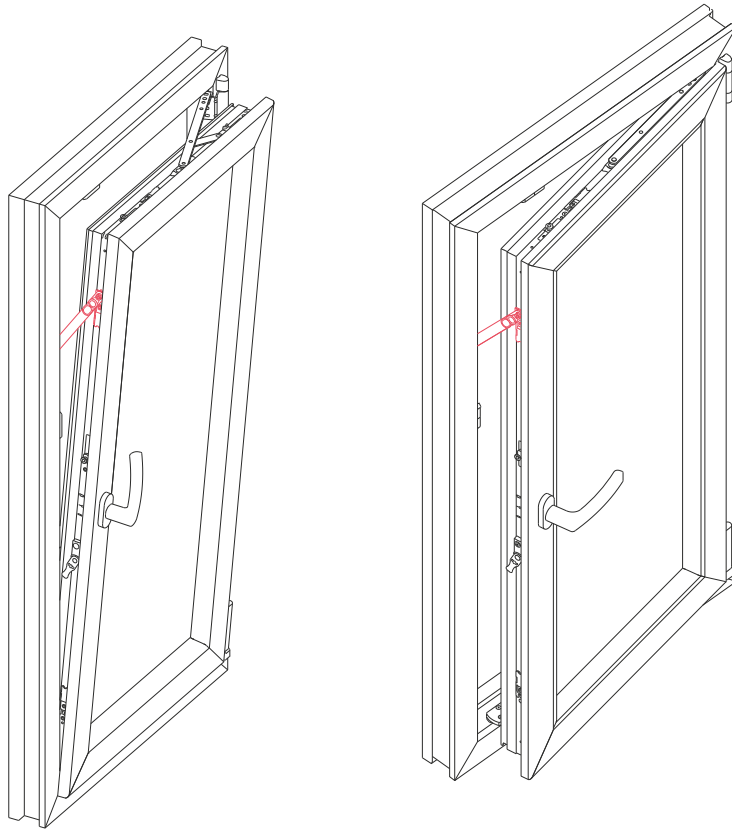


Code	Description	
204161	Tilt Stay	100

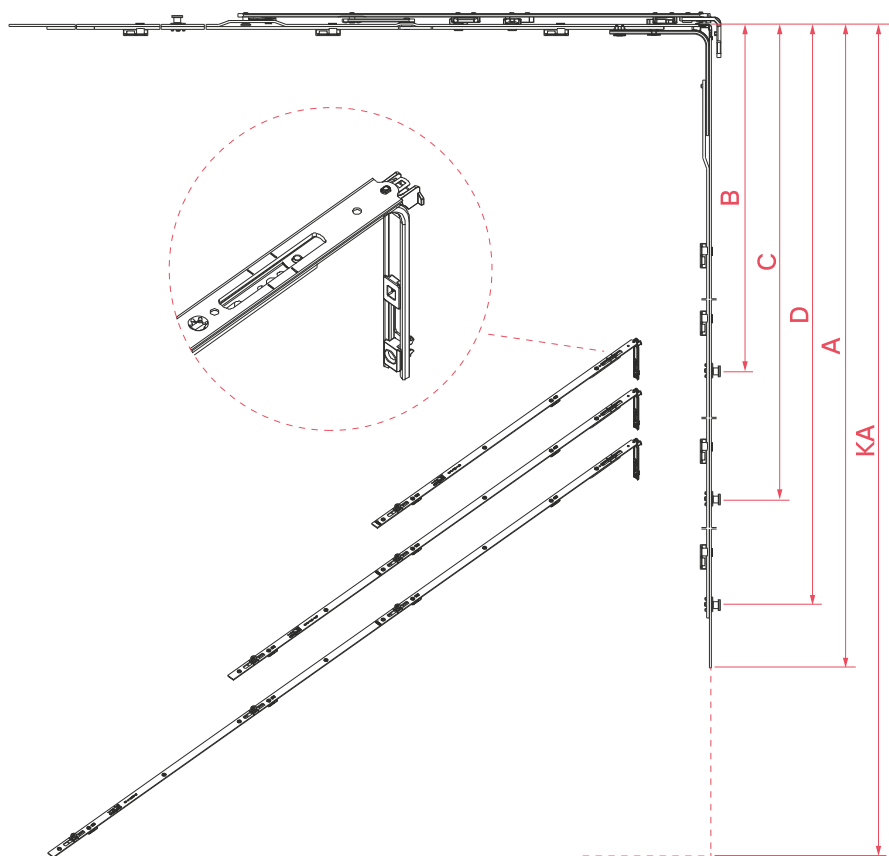




# Tilt Stay & Turn Blocker

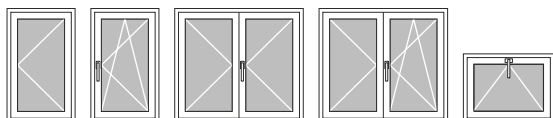
Code	Description	
204162	Tilt Stay & Turn Blocker	100



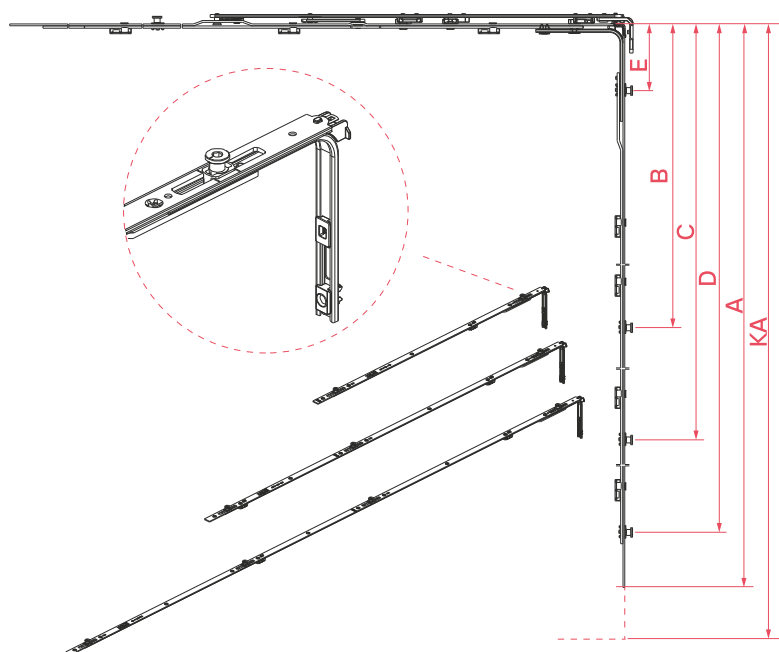
# Middle Lock





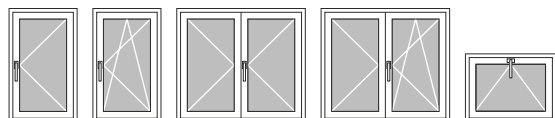
Code	Description	KA (mm)	A (mm)	B (mm)	C (mm)	D (mm)		
205106	OK 0 Middle Lock	- - 800	350	-	-	285	1	10
205107	OK 1 Middle Lock	801 - 1160	535	-	-	470	1	10
205108	OK 2 Middle Lock	900 - 1400	735	-	-	670	1	10
205109	OK 3 Middle Lock	1161 - 1660	1135	-	670	1070	2	10
205110	OK 4 Middle Lock	1661 - 2160	1635	670	1070	1570	3	10



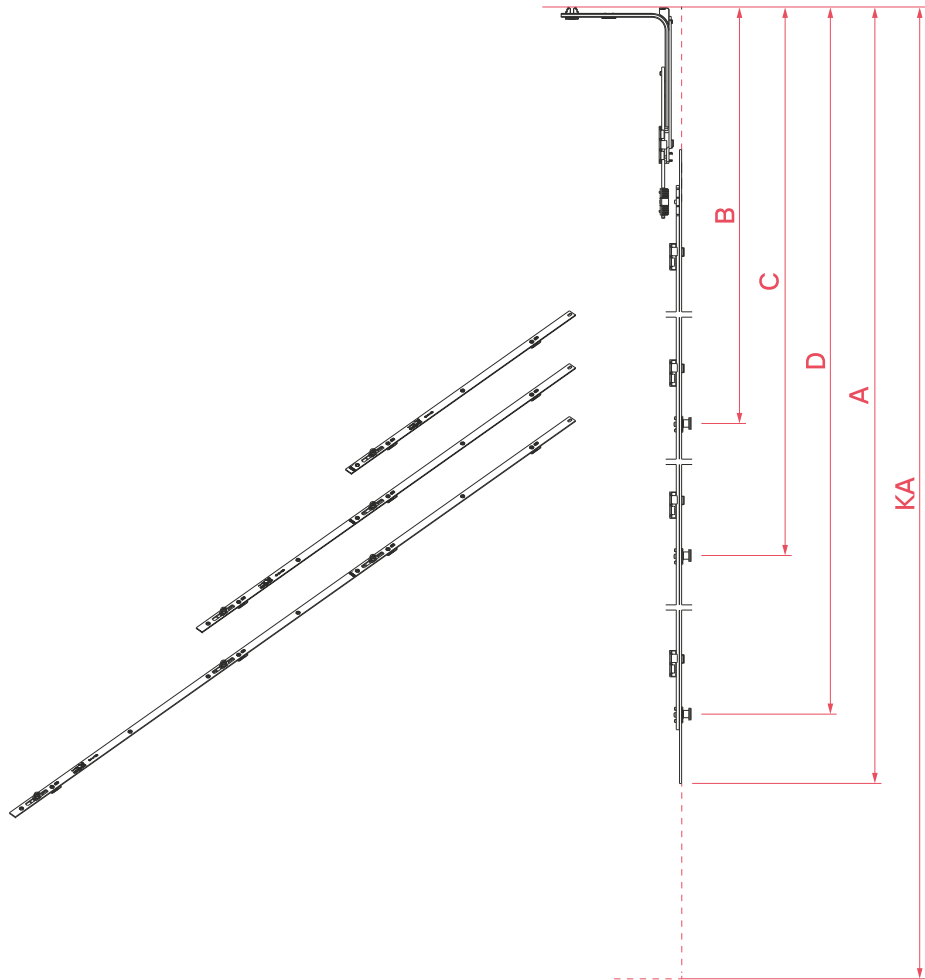
# Middle Lock (with extra pin)





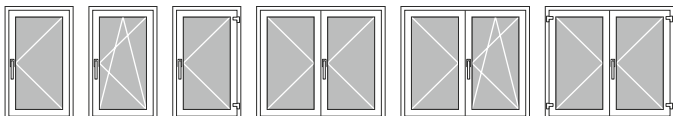
Code	Description	KA (mm)	A (mm)	B (mm)	C (mm)	D (mm)	E (mm)		
205112	OK1 Middle Lock (with extra pin)	801 - 1160	535	-	-	470	77	2	10
205111	OK15 Middle Lock (with extra pin)	900 - 1300	635	-	-	570	77	2	10
205113	OK2 Middle Lock (with extra pin)	900 - 1400	735	-	-	670	77	2	10
205116	OK21 Middle Lock (with extra pin)	901 - 1500	835	-	-	770	77	2	10
205114	OK3 Middle Lock (with extra pin)	1161 - 1660	1135	-	670	1070	77	3	10
205115	OK4 Middle Lock (with extra pin)	1661 - 2160	1635	670	1070	1570	77	4	10



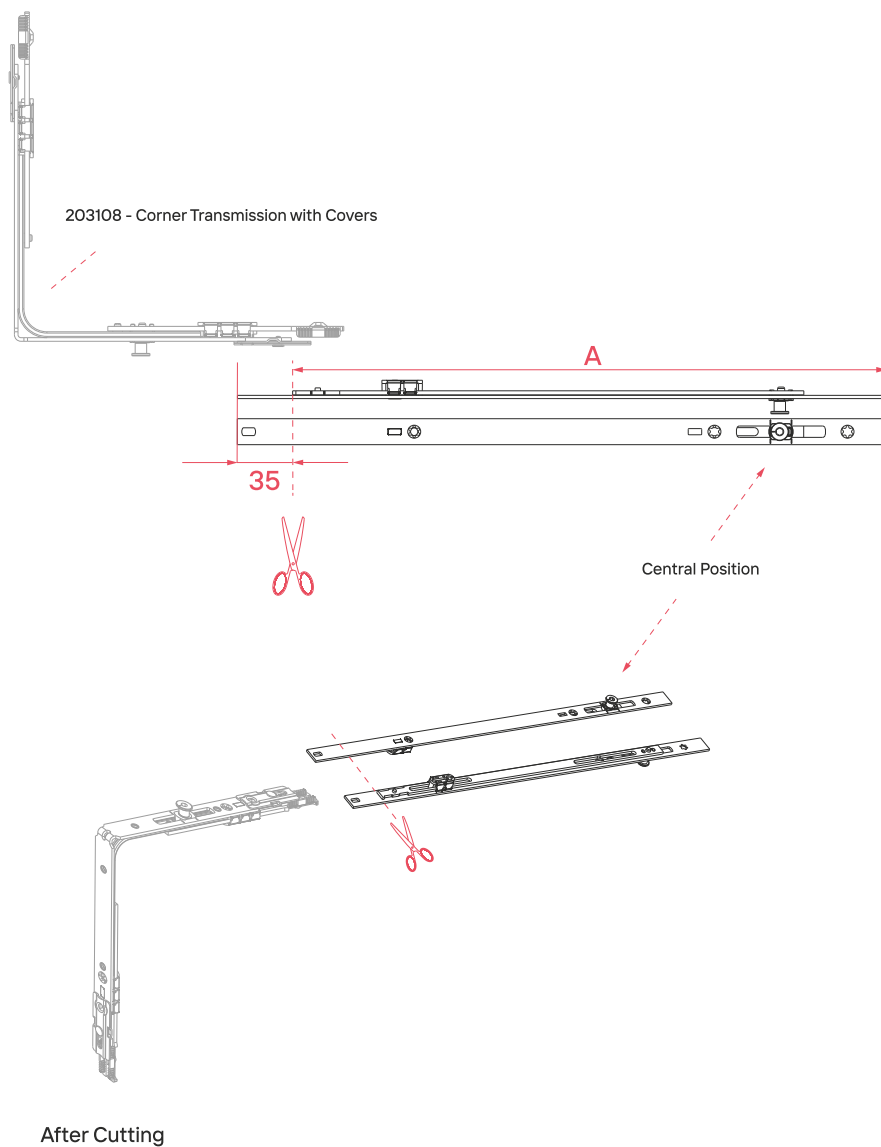
# Centre Lock



Code	Description	KA (mm)	A (mm)	B (mm)	C (mm)	D (mm)		
205101	IK 0 Centre Lock	- - 800	350	-	-	285	1	10
205102	IK 1 Centre Lock	801 - 1160	535	-	-	470	1	10
205103	IK 2 Centre Lock	900 - 1400	735	-	-	670	1	10
205104	IK 3 Centre Lock	1161 - 1660	1135		670	1070	2	10
205105	IK 4 Centre Lock	1661 - 2160	1635	670	1070	1570	3	10

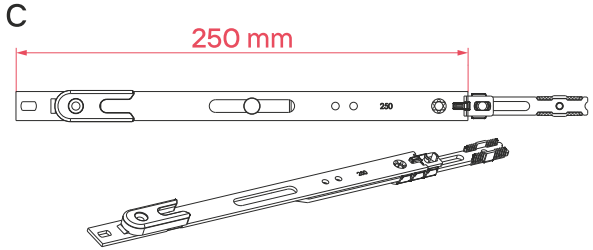
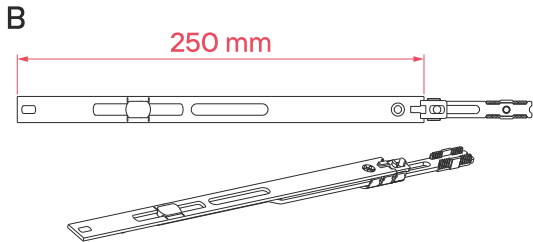
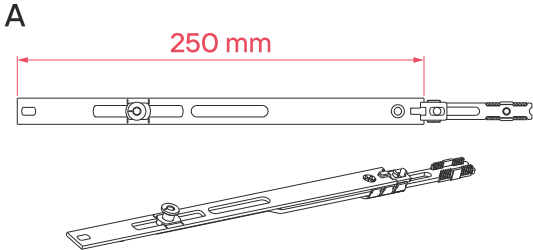




# Application Of The Centre Lock With Corner Transmission With Covers

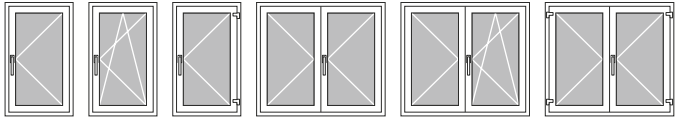


Code	Description	A (mm)
205101	IK 0 Centre Lock	315
205102	IK 1 Centre Lock	500
205103	IK 2 Centre Lock	700
205104	IK 3 Centre Lock	1100
205105	IK 4 Centre Lock	1600

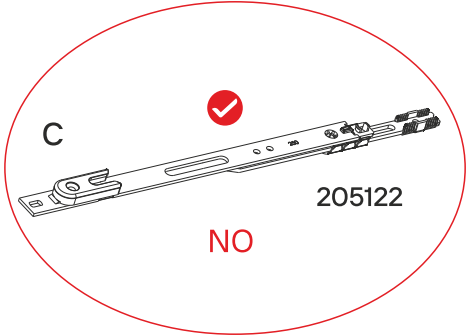
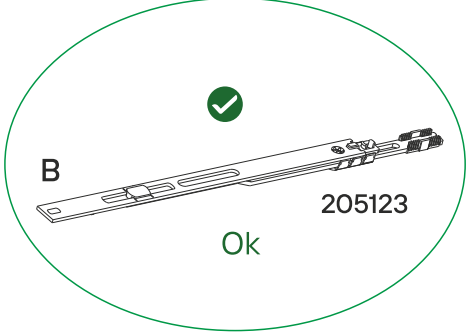
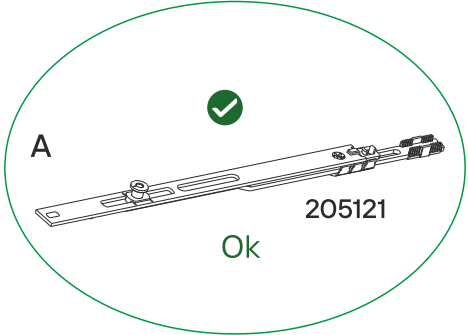
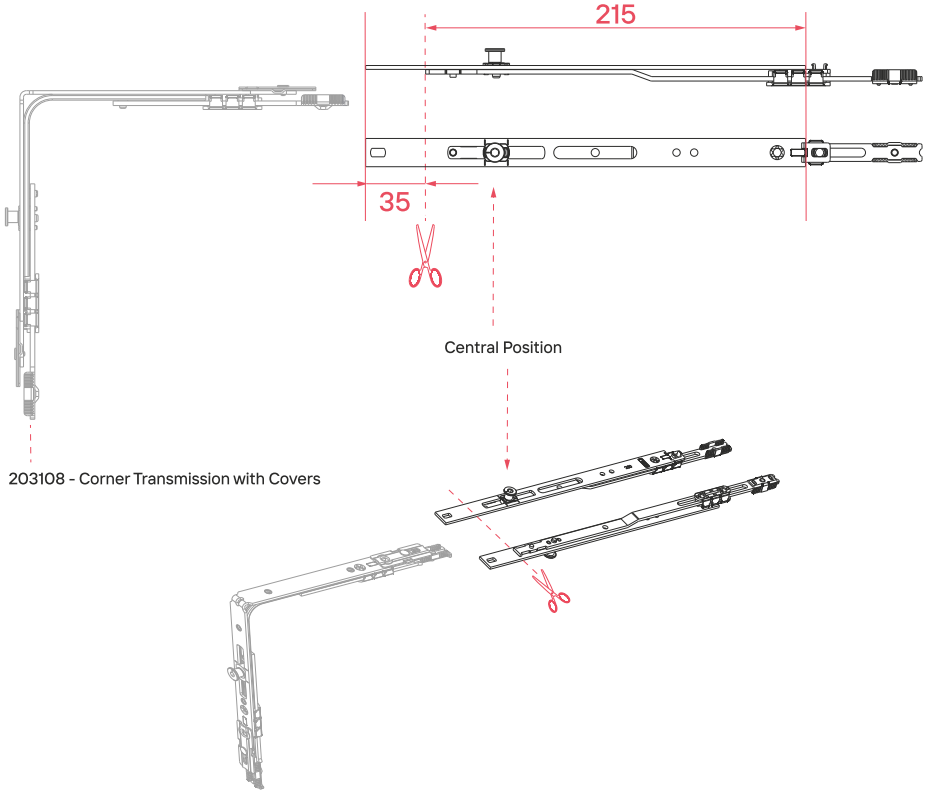
# Additional Extension 250 mm



	Code	Description		
A	205121	Additional Extension 250 mm (with pin)	1	10
B	205123	Additional Extension 250 mm (without pin)	-	10
C	205122	Additional Extension 250 mm (with striker)	-	10



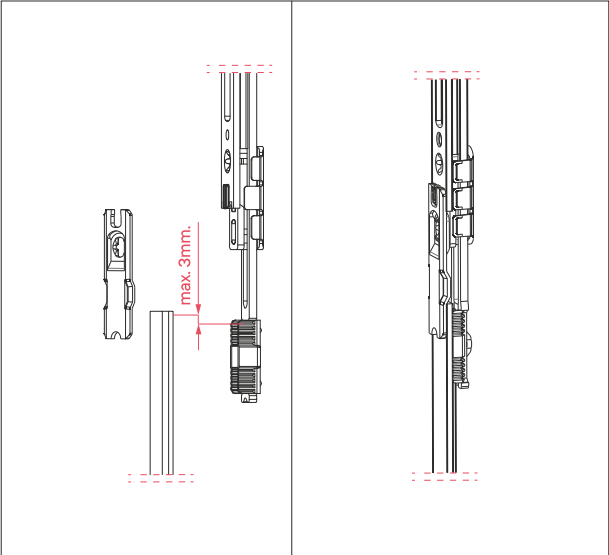
# Application Of The Additional Extensions With Corner Transmission With Covers




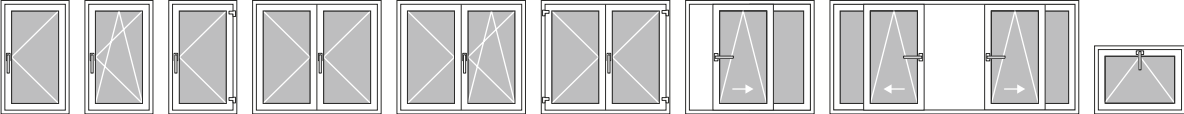
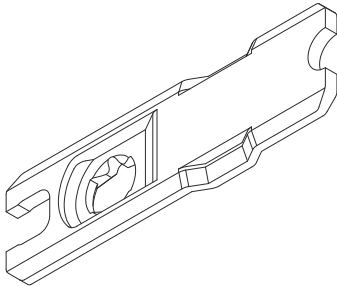
\*Application for Additional Extensions under codes 205121 and 250123 only!

# Corner Transmission Connecting Part

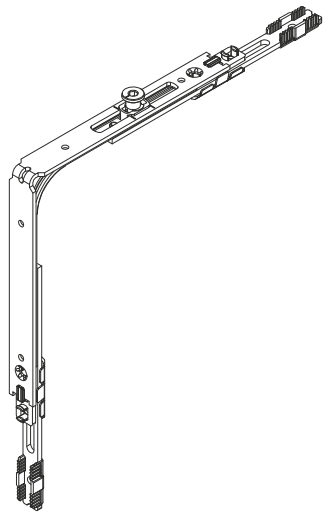
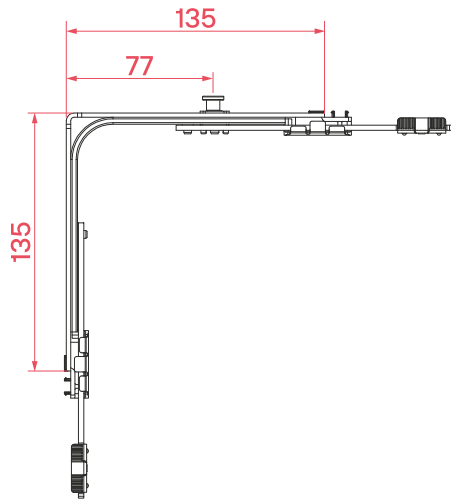
Manual cutting. Application with Connecting Part





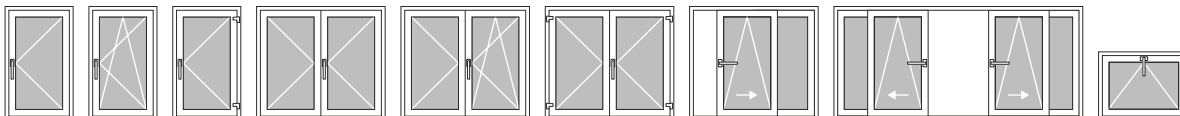
Code	Description	
203103	Corner Transmission Connecting Part	300



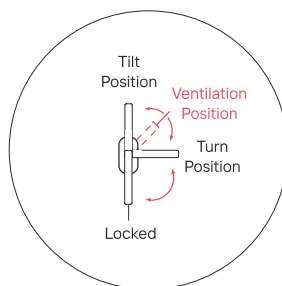
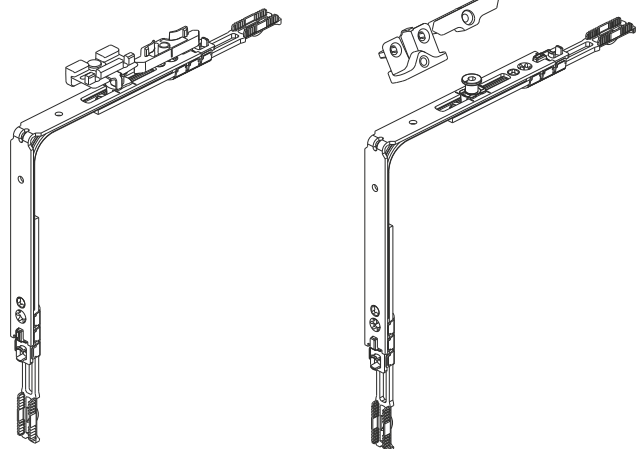
# Corner Transmission



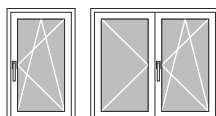
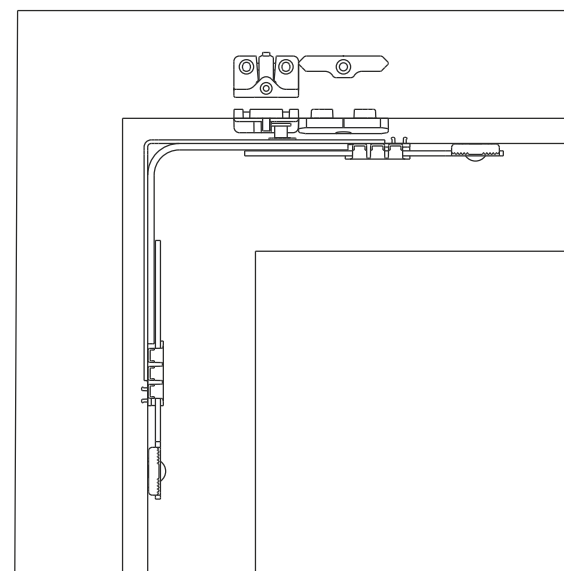
Code	Description		
203101	Corner Transmission	1	100



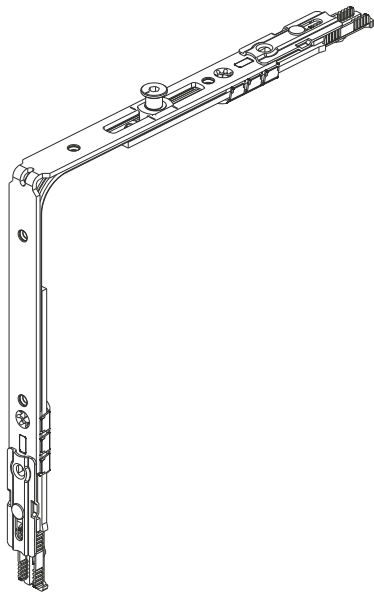
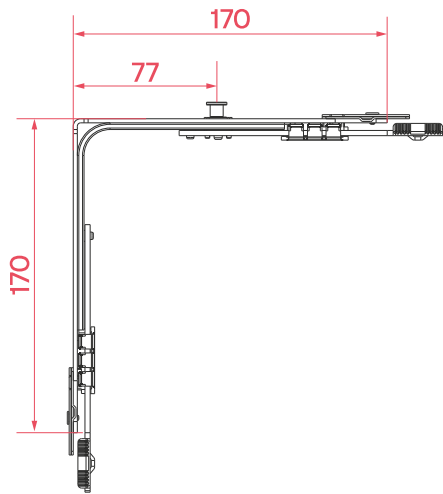
# Night-vent Locking Plate Universal





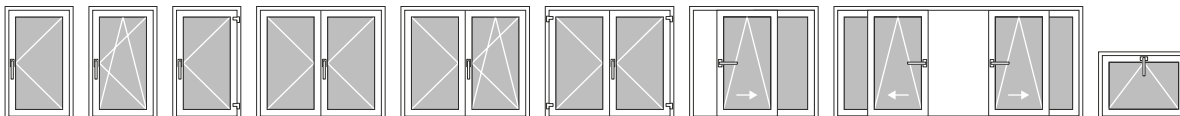
Code	Description	
215102	Night-Vent Locking Plate Universal	100



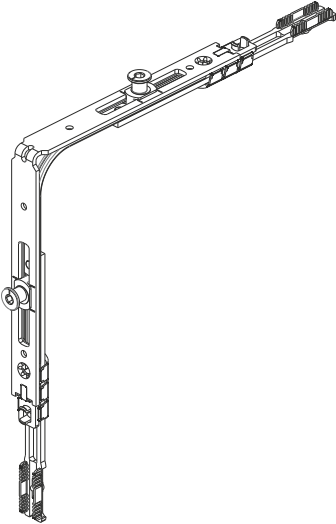
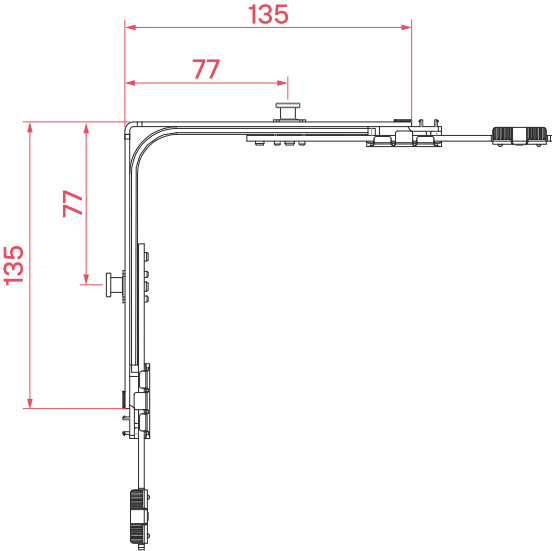
# Corner Transmission with Covers





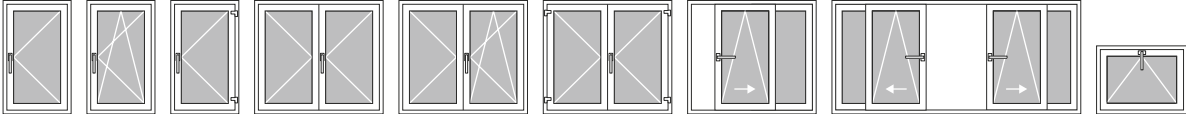
Code	Description		
203108	Corner Transmission with Covers	1	100



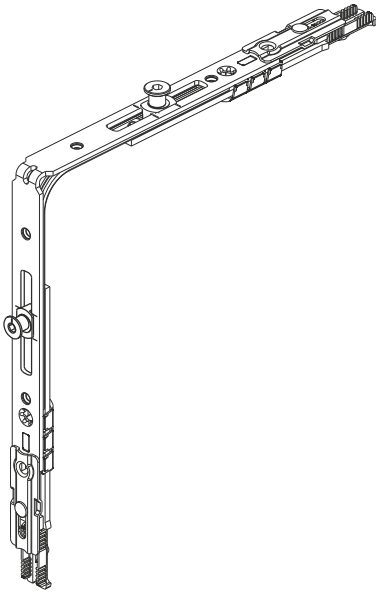
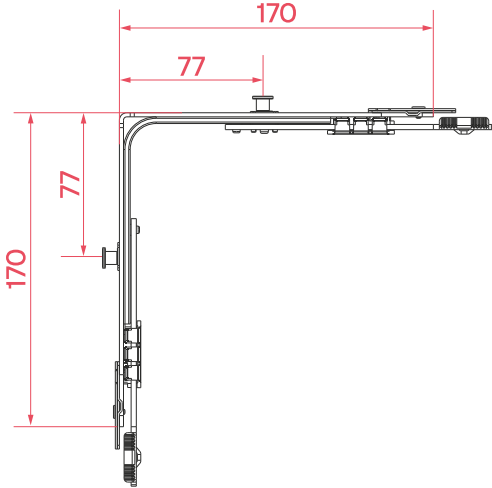
# Corner Transmission With Extra Pin





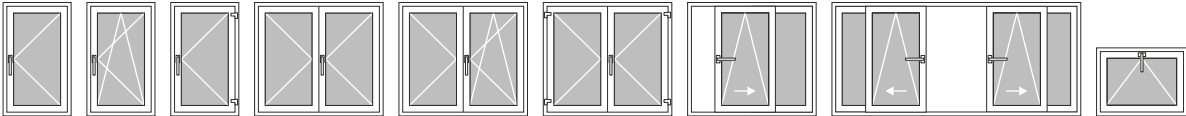
Code	Description		
203107	Corner Transmission With Extra Pin	2	100



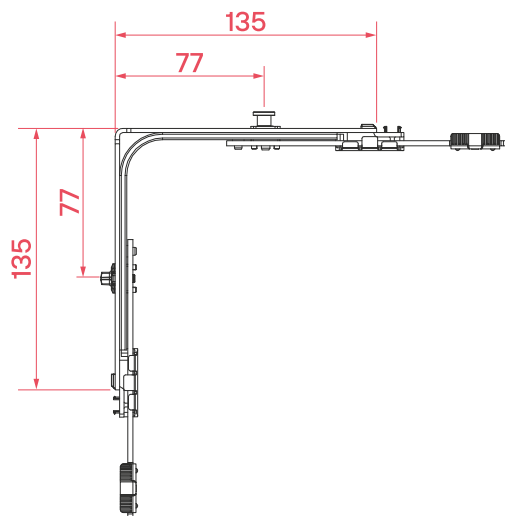
# Corner Transmission With Covers With Extra Pin






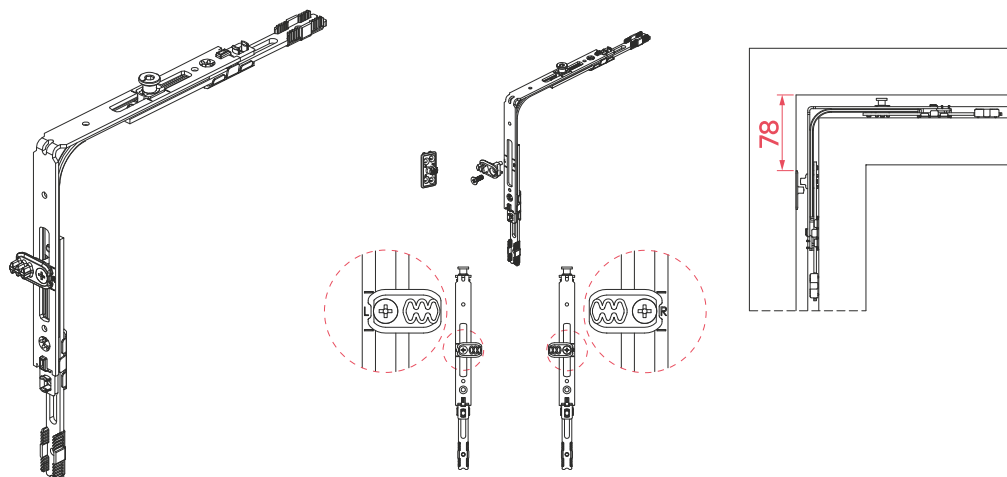
Code	Description		
203112	Corner Transmission With Covers With Extra Pin	2	100



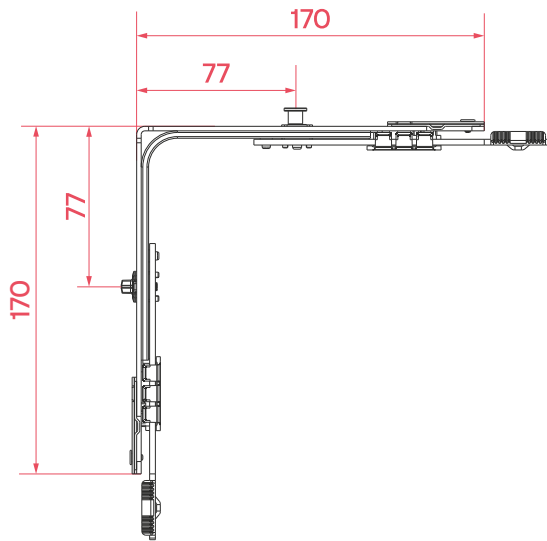
# Night-vent Multi-stepped Corner Transmission






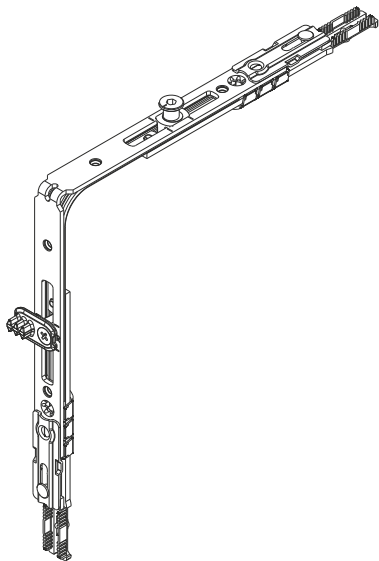
Code	Description			
203106	Night-vent Multi-stepped Corner Transmission	1	1	100



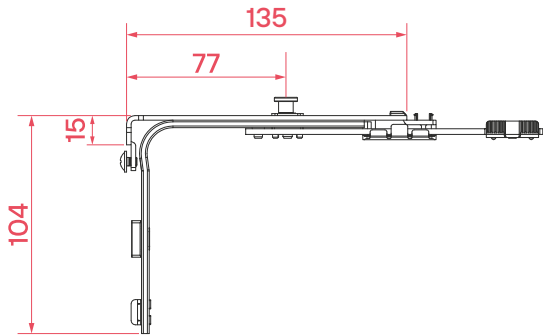
# Night-vent Multi-stepped Corner Transmission with Covers





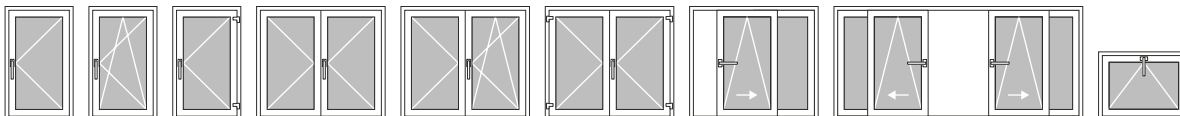
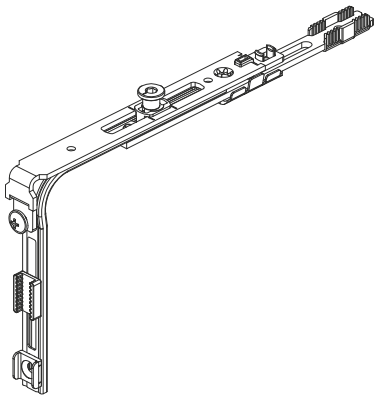
Code	Description			
203111	Night-vent Multi-stepped Corner Transmission with Covers	1	1	100



# Corner Transmission Short

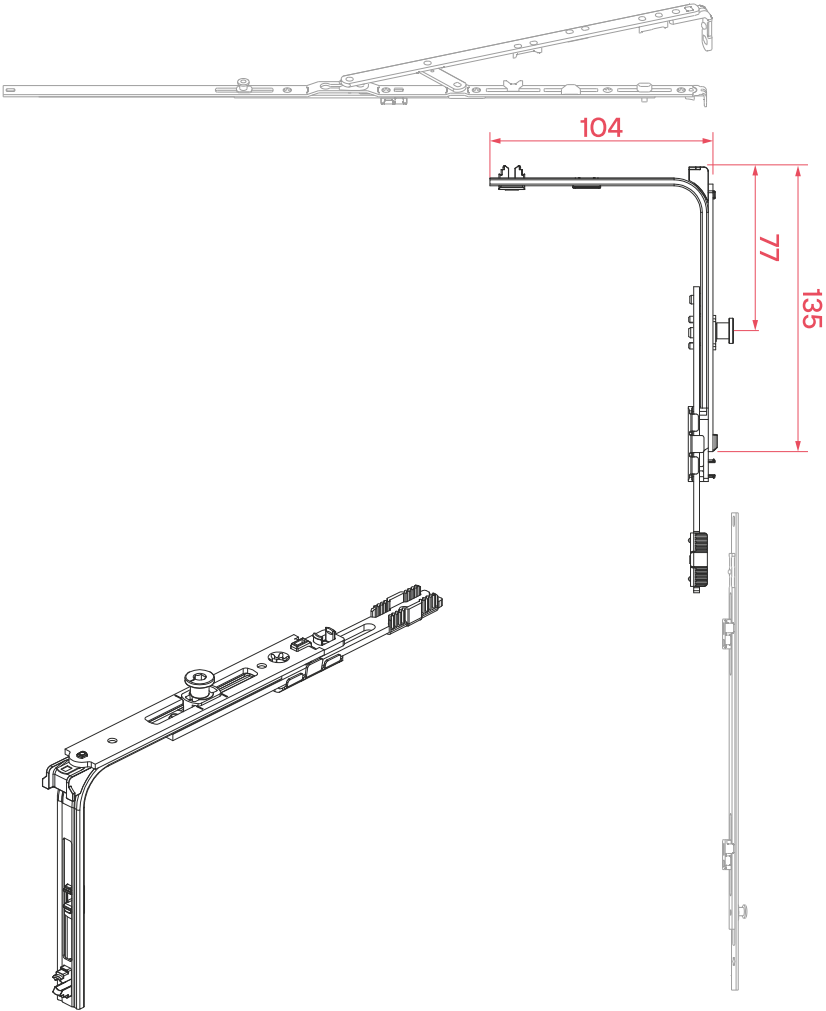




Code	Description		
203104	Corner Transmission Short	1	100

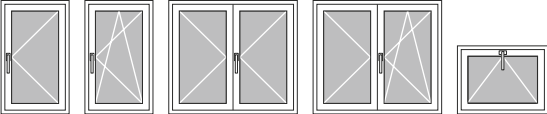




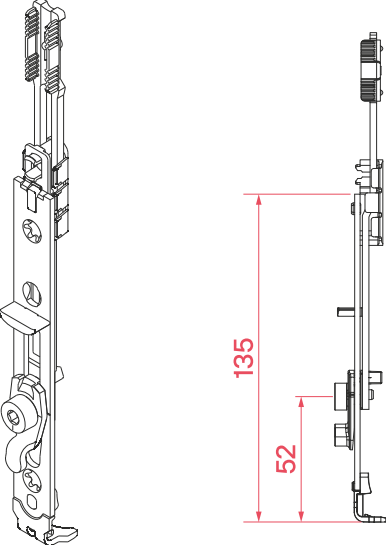
# Stay Arm Corner Transmission with Pin





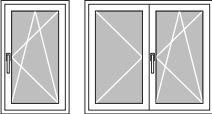
Code	Description		
203102	Stay Arm Corner Transmission with Pin	1	100



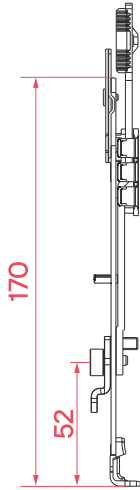
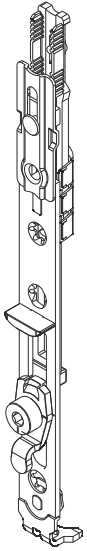
# Tilt Locking Part



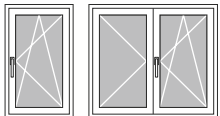
Code	Description		
206101	Tilt Locking Part	1	100



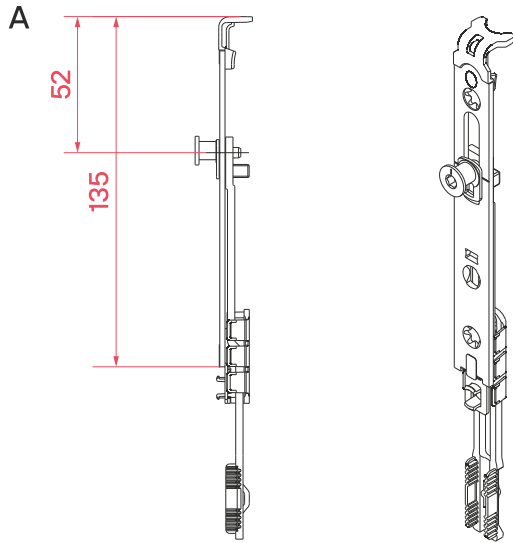
# Tilt Locking Part with Covers





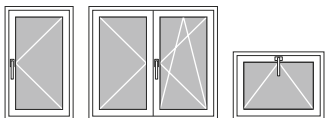
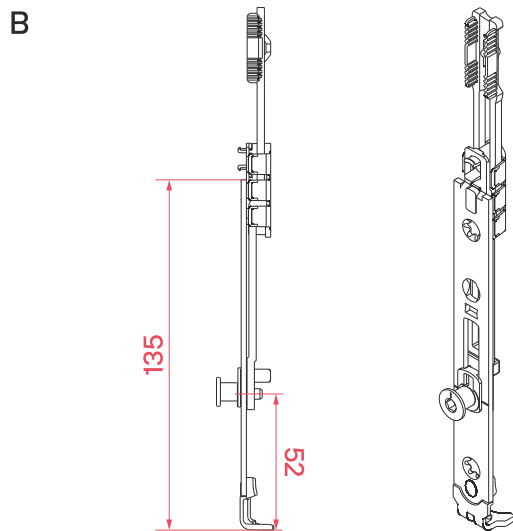
Code	Description		
206104	Tilt Locking Part with Covers	1	100



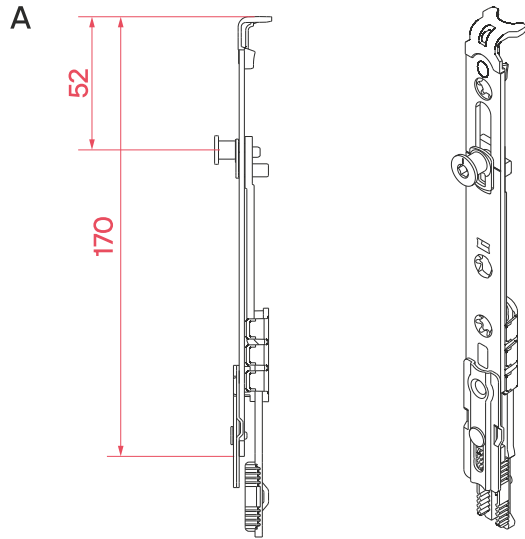
# Turn Locking Part - Top & Bottom





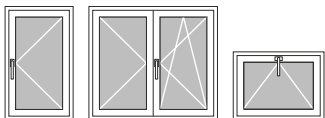
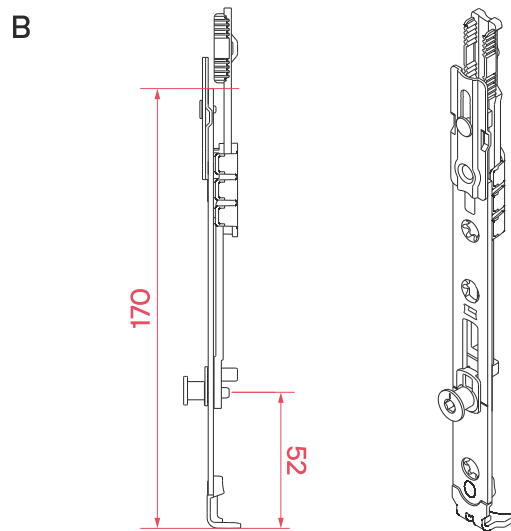
	Code	Description		
A	206102	Turn Locking Part - Top	1	100
B	206103	Turn Locking Part - Bottom	1	100



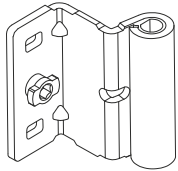
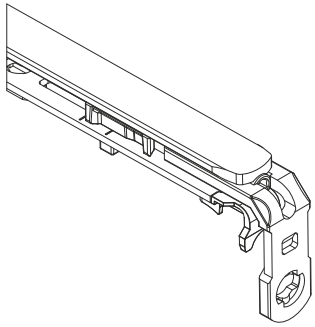
# Turn Locking Part With Covers - Top & Bottom



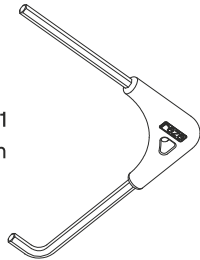
	Code	Description		
A	206105	Turn Locking Part - Top with Covers	1	100
B	206106	Turn Locking Part - Bottom with Covers	1	100




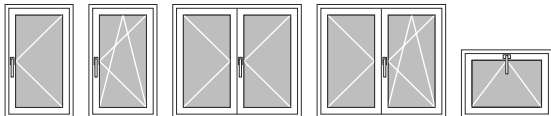
# Sash Hinge - Top



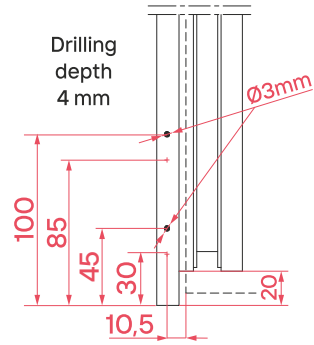
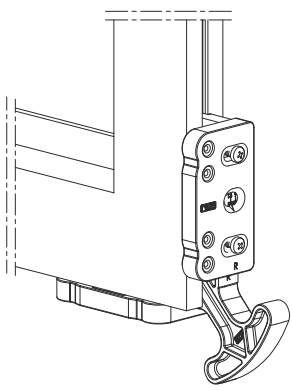
Product Code : 230101  
Allen Key Reze 4 mm



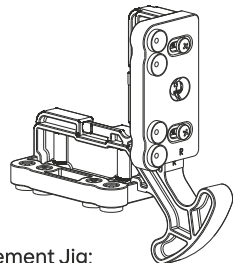
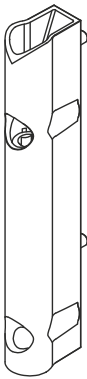
Code	Description	
207101	Sash Hinge - Top (9 / 20 mm)	100
207102	Sash Hinge - Top (13 / 20 mm)	100
207103	Sash Hinge - Top (14 / 20 mm)	100
207117	Sash Hinge - Top (14,5 / 20 mm)	100
207110	Sash Hinge - Top (11 / 20 mm)	100
207108	Sash Hinge - Top (10 / 20 mm)	100



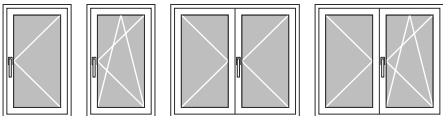
# Sash Hinge - Bottom 3 mm



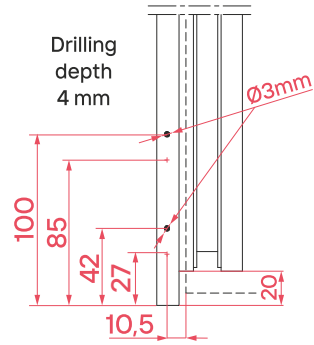
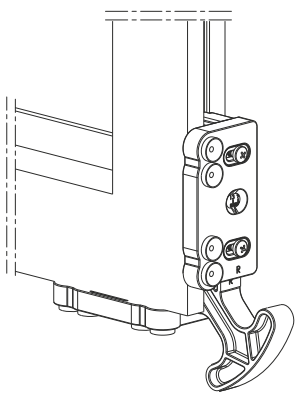
Code	Description	
207201	Sash Hinge - Bottom 3 mm	100



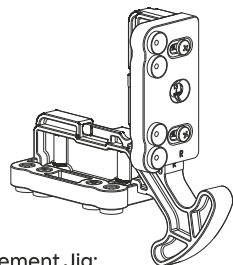
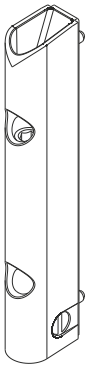
- Casement Jig;
- Product Code : 222103
  - Axis 9/13 mm
  - Right/Left
  - Hole diameter 3 mm
  - Color - Red



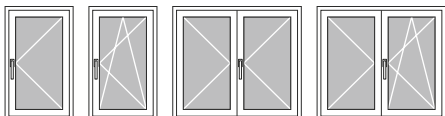
# Sash Hinge Adjustable - Bottom 3 mm



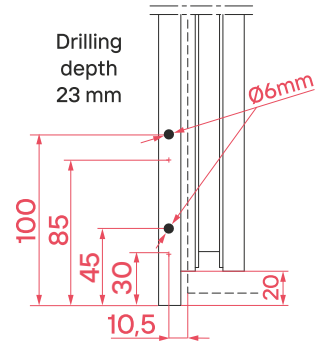
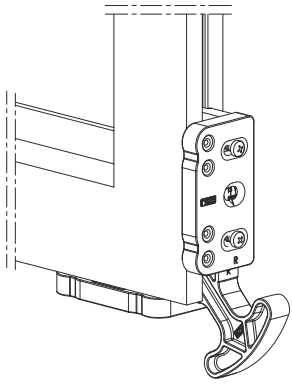
Code	Description	
207207	Sash Hinge Adjustable - Bottom 3 mm	100




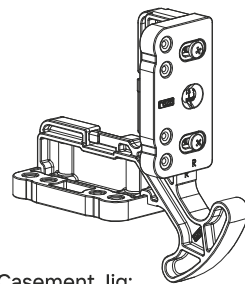
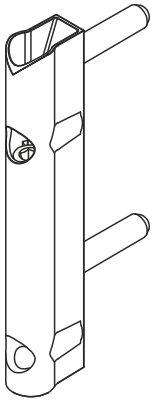
- Casement Jig;
- Product Code : 222109
  - Axis 9/13 mm
  - Right/Left
  - Hole diameter 3 mm
  - Color - Grey



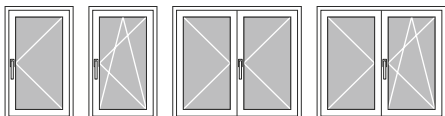
# Sash Hinge - Bottom 6 mm



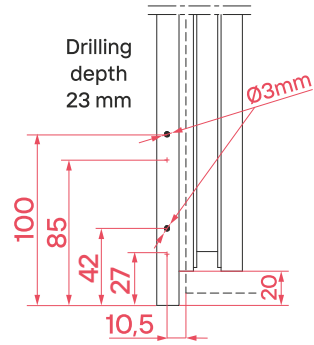
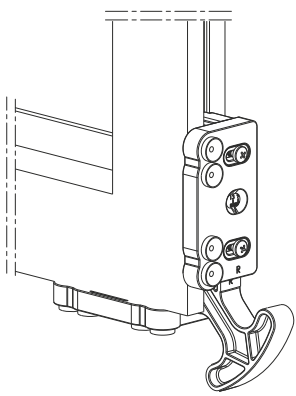
Code	Description	
207202	Sash Hinge - Bottom 6 mm	100




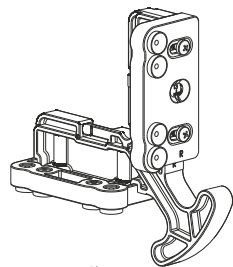
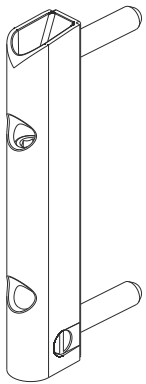
- Casement Jig;
- Product Code : 222104
  - Axis 9/13 mm
  - Right/Left
  - Hole diameter 6 mm
  - Color - Red



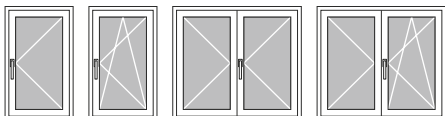
# Sash Hinge Adjustable - Bottom 6 mm



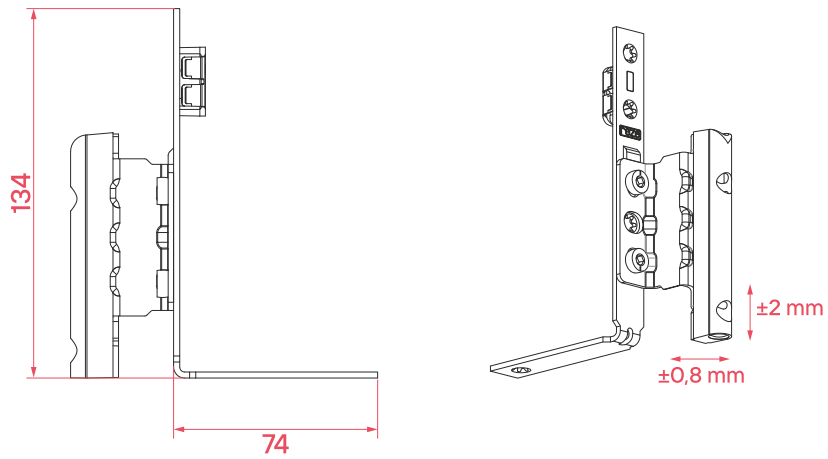
Code	Description	
207208	Sash Hinge Adjustable - Bottom 6 mm	100




- Casement Jig:
- Product Code : 222110
  - Axis 9/13 mm
  - Right/Left
  - Hole diameter 6 mm
  - Color - Grey

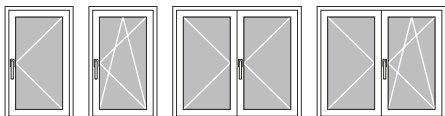


# Rebated Sash Hinge Bottom

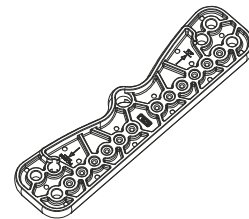
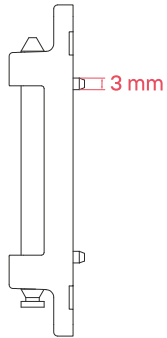
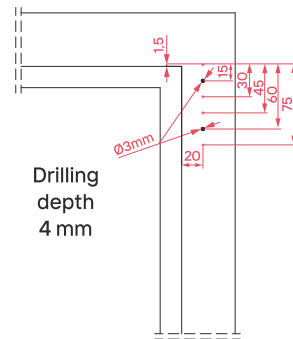
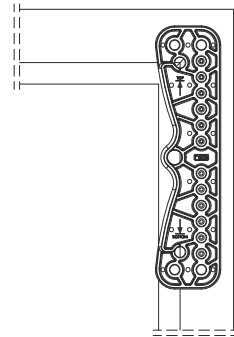
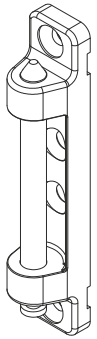


\*Can be installed without pattern


Code	Description	
207203	Rebated Sash Hinge Bottom 13 Axis Left	100
207204	Rebated Sash Hinge Bottom 13 Axis Right	100
207205	Rebated Sash Hinge Bottom 9 Axis Left	100
207206	Rebated Sash Hinge Bottom 9 Axis Right	100

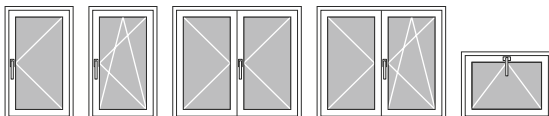


# Frame Hinge - Top 3 mm

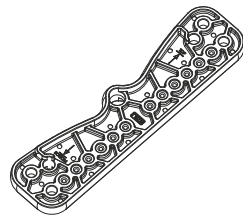
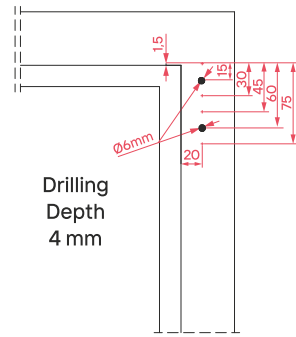
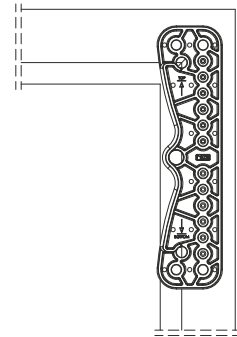
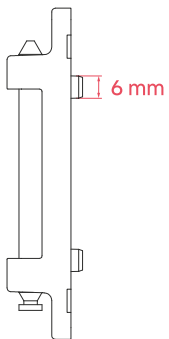
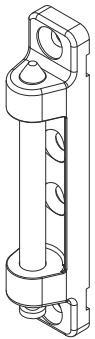


- Frame Jig;
- Product Code : 222101
  - Axis 9/13 mm
  - Right/Left
  - Hole diameter 3 mm
  - Color - Red


Code	Description	
208101	Frame Hinge - Top 3 mm	100

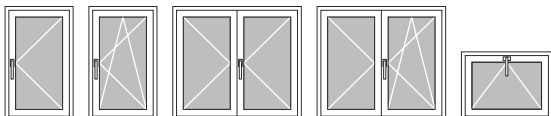


# Frame Hinge - Top 6 mm

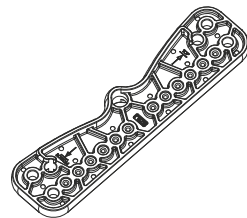
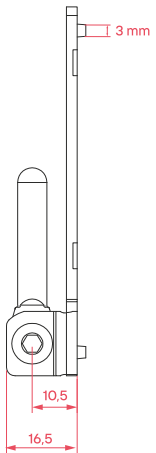
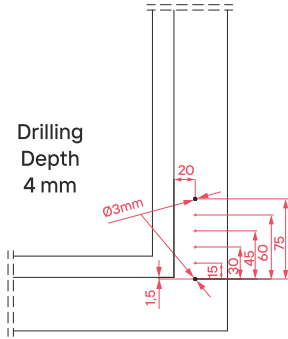
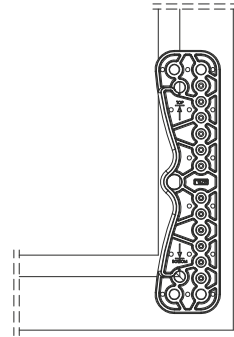
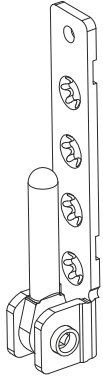


- Frame Jig;
- Product Code : 222102
  - Axis 9/13 mm
  - Right/Left
  - Hole Diameter 6 mm
  - Color - Red

Code	Description	
208102	Frame Hinge - Top 6 mm	100

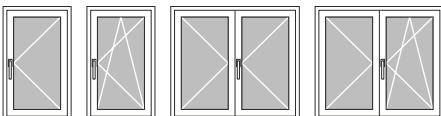


# Frame Hinge - Bottom 3 mm

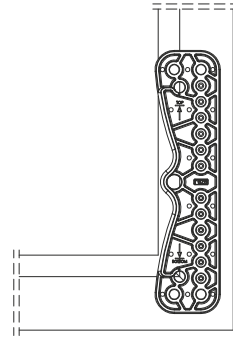
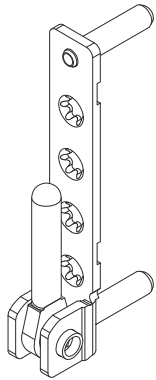


- Frame Jig;
- Product Code : 222101
  - Axe 9/13 mm
  - Right/Left
  - Hole Diameter 3 mm
  - Color - Red

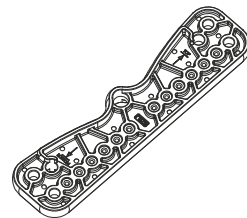
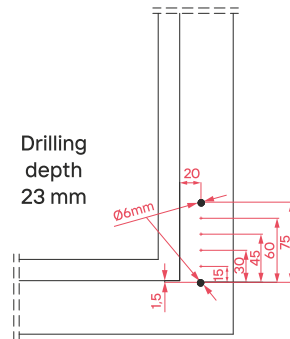
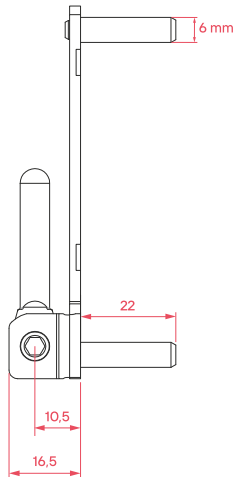
Code	Description	
208201	Frame Hinge - Bottom 3 mm	100



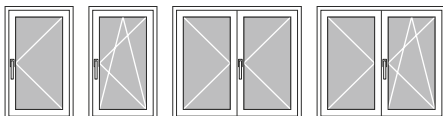
# Frame Hinge - Bottom 6 mm



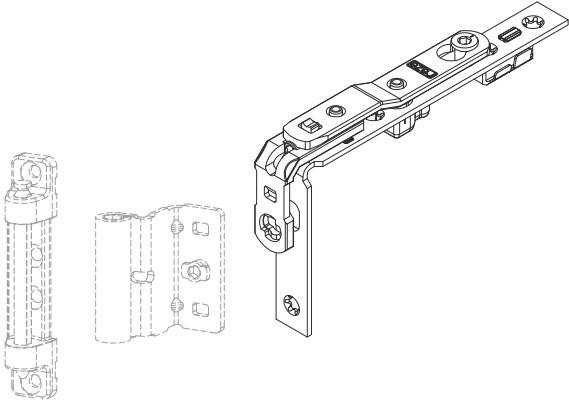
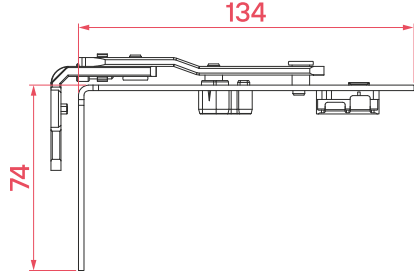
Code	Description	
208202	Frame Hinge - Bottom 6 mm	100




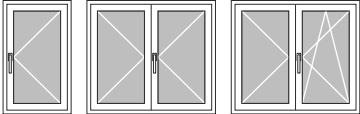
- Frame Jig;
- Product Code : 222102
  - Axe 9/13 mm
  - Right/Left
  - Hole diameter 6 mm
  - Color - Red



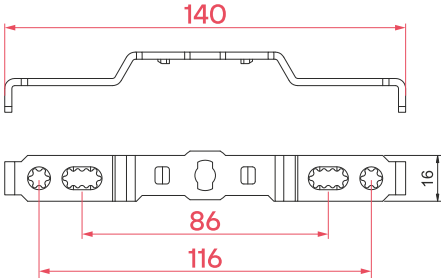
# Sash Adjustable Top Stay Arm




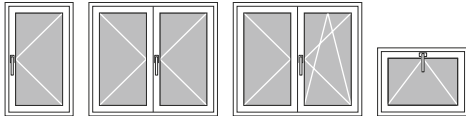
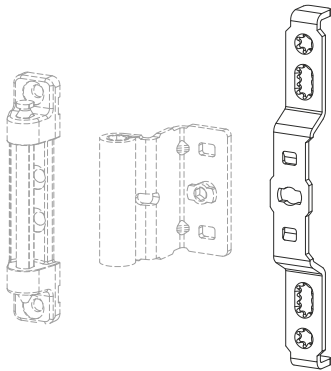
Code	Description	
204171	Sash Adjustable Top Stay Arm	100



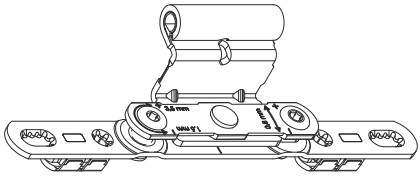
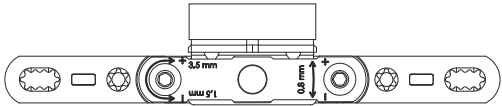
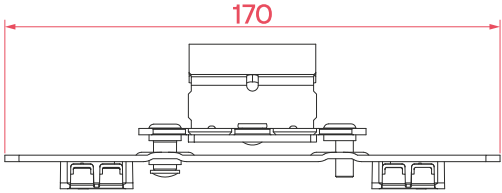
# Sash Middle Hinge



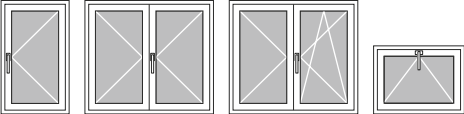
Code	Description	
221103	Sash Middle Hinge	100



# Adjustable Middle Hinge

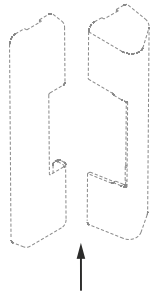
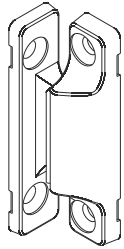


Code	Description	
221102	Adjustable Middle Hinge 13 Axis	100
221502	Adjustable Middle Hinge 9 Axis	100

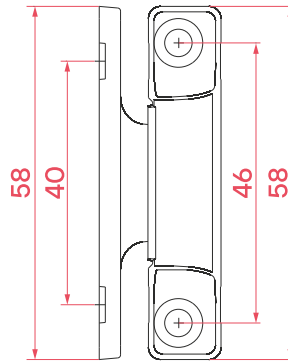


# Middle Compression Hinge

A

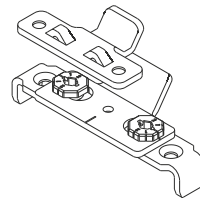
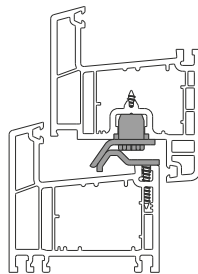
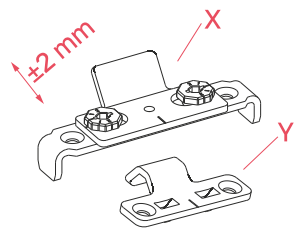


Plastic Covers for Middle Compression Hinges should be ordered separately

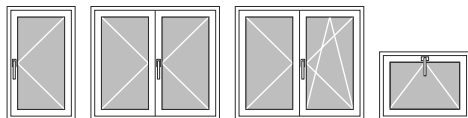


	Code	Description	
A	221104	Middle Compression Hinge (Without Covers)	100
B	221121	Concealed Middle Compression Hinge 13 mm	100
	221521	Concealed Middle Compression Hinge 9 mm	100

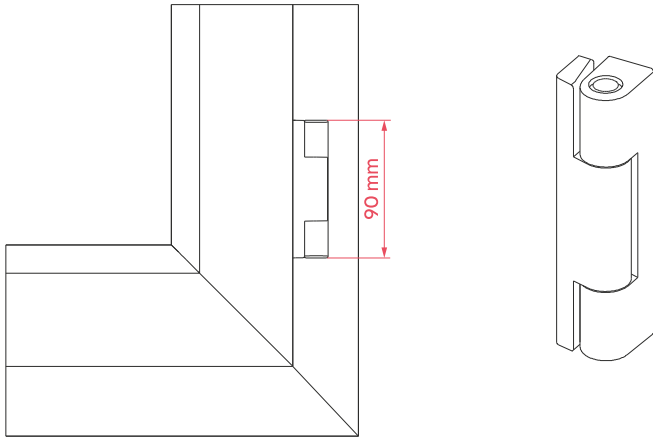
B









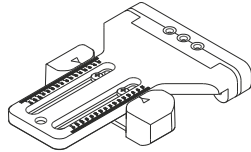
The part, that depend on profile (Hardware Axis) - Sash Part (X)



# Turn Hinge "ART" 90 mm

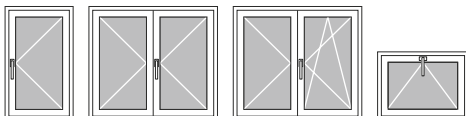


Code	Description	Color	
300101	Turn Hinge "ART" 90 mm	RAL 9016 	160
300102	Turn Hinge "ART" 90 mm	RAL 8003 	160
300103	Turn Hinge "ART" 90 mm	RAL 8017 	160
300104	Turn Hinge "ART" 90 mm	RAL 8022 	160
300105	Turn Hinge "ART" 90 mm	RAL 8019 	160



Jig for Turn Hinges "ART"

- Product Code: 300020
- Hole Diameter 3 mm
- Color - Red



## Turn Hinge "ART"

---

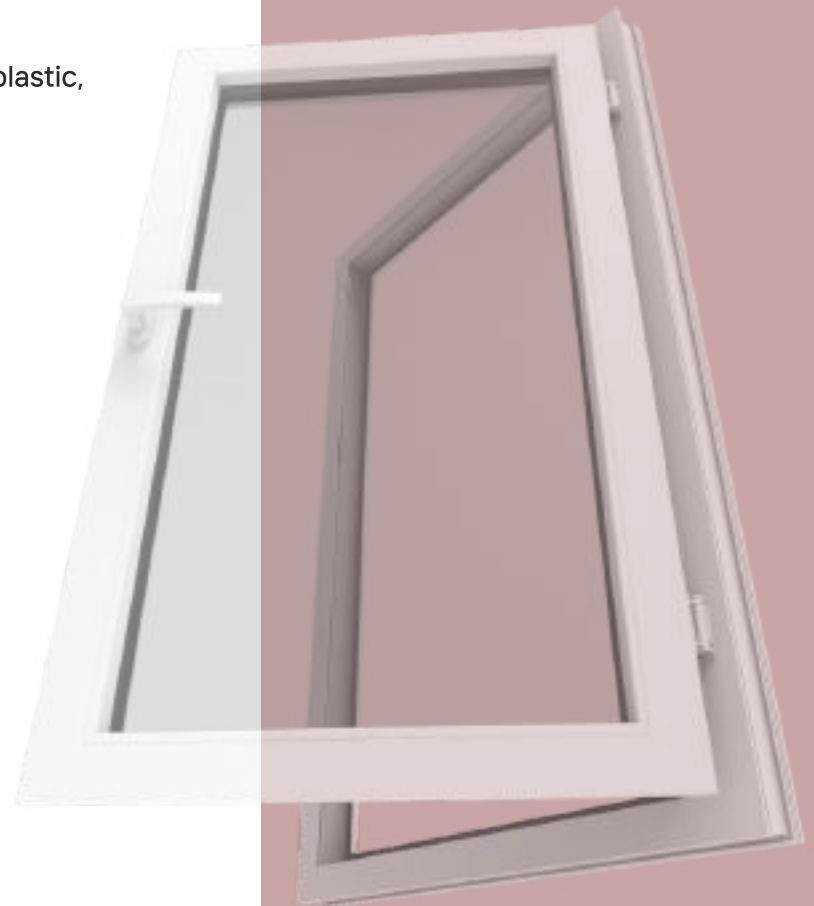
## Turn Hinge "Comfy"

---

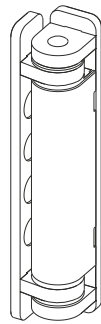
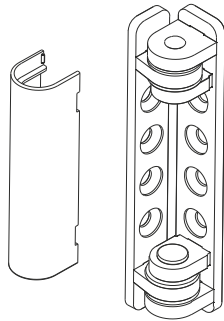
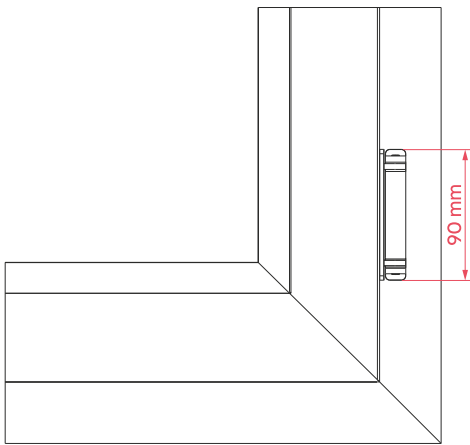
Non adjustable "ART" and "COMFY" hinges are simply and reliably in application due to which they have become popular in various countries around the world.







Apart from being a premium quality product of the affordable segment, these hinges are particularly durable, what are the important criteria, the perfect solution for the various tenders.

The "ART" hinges is made of sheet metal and covered with durable plastic, and the "COMFY" hinges totally made from greater thickness steel and have galvanized coating and electrostatic powder coating.

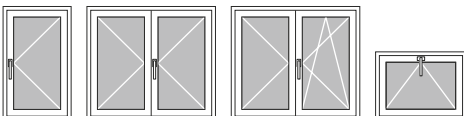


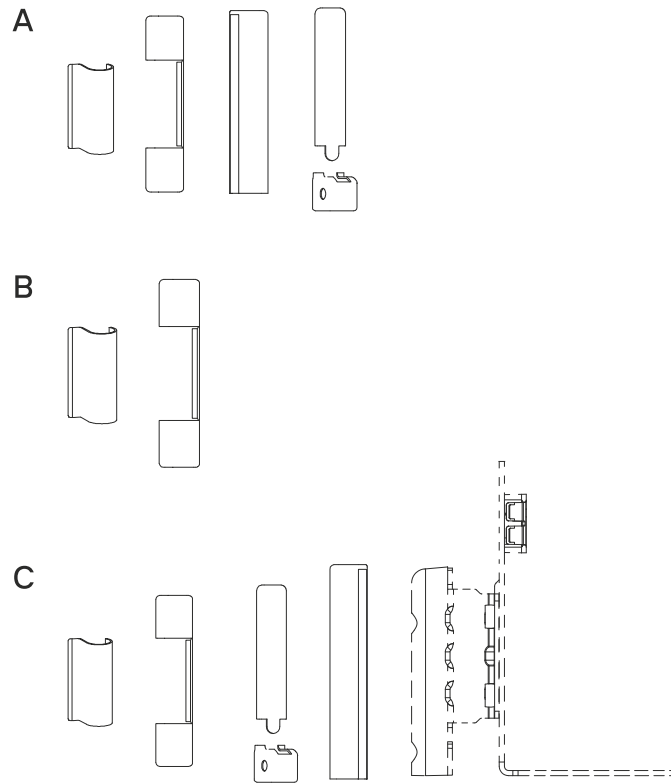
# Turn Hinge "COMFY" 90 mm



Code	Description	Color	
300221	Turn Hinge "COMFY" 90 mm	RAL 9016 	240
300222	Turn Hinge "COMFY" 90 mm	RAL 8003 	240
300223	Turn Hinge "COMFY" 90 mm	RAL 8017 	240
300224	Turn Hinge "COMFY" 90 mm	RAL 8022 	240
300225	Turn Hinge "COMFY" 90 mm	RAL 8019 	240

No need any Jigs for "COMFY" hinges installation

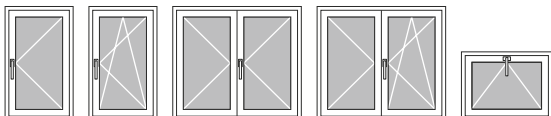




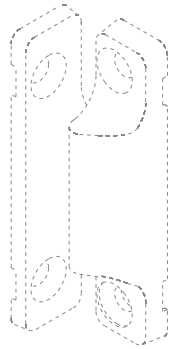
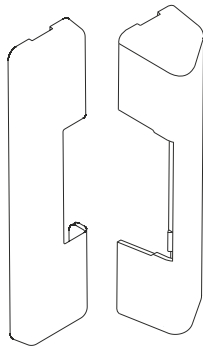
	Code	Description	Color	
A	220101	Plastic Cover Set 5 psc	RAL 9016 	100
	220121	Plastic Cover Set 5 psc	RAL 8003 	100
	220141	Plastic Cover Set 5 psc	RAL 8017 	100
B	220107	Plastic Cover Set 2 psc	RAL 9016 	100
	220127	Plastic Cover Set 2 psc	RAL 8003 	100
	220147	Plastic Cover Set 2 psc	RAL 8017 	100
C	220108	Plastic Cover Set 5 psc - Right	RAL 9016 	100
	220109	Plastic Cover Set 5 psc - Left	RAL 9016 	100
	220128	Plastic Cover Set 5 psc - Right	RAL 8003 	100
	220129	Plastic Cover Set 5 psc - Left	RAL 8003 	100
	220148	Plastic Cover Set 5 psc - Right	RAL 8017 	100
	220149	Plastic Cover Set 5 psc - Left	RAL 8017 	100


\*Plastic Cover Sets can only be purchased as a set.

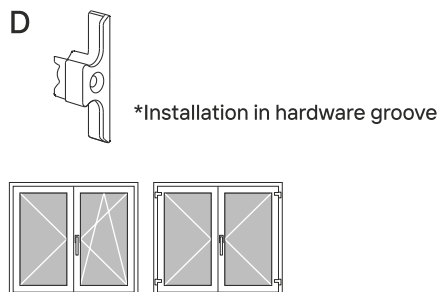
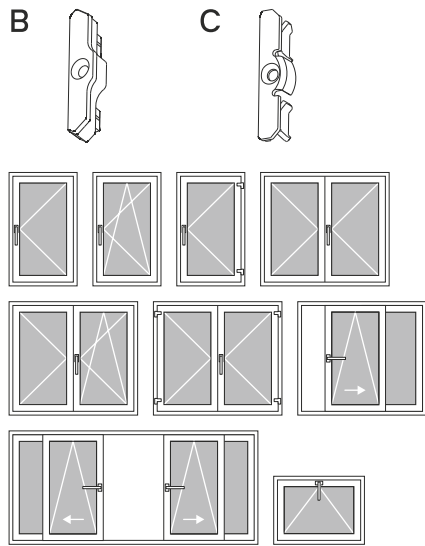
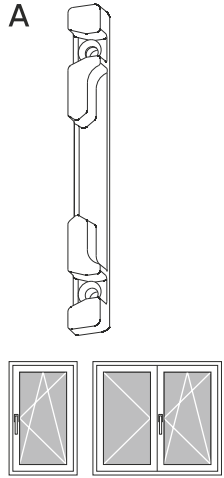
\*Gold, Bronze, Silver and Champagne colors are produced on order.



# Middle Compression Hinge Cover Sets

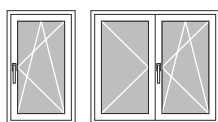
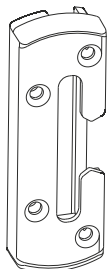


Code	Description	Color	
220110	Middle Compression Hinge	RAL 9016 	100
220111	Middle Compression Hinge	RAL 8003 	100
220112	Middle Compression Hinge	RAL 8017 	100
220114	Middle Compression Hinge	RAL 8019 	100
220115	Middle Compression Hinge	RAL 7016 	100

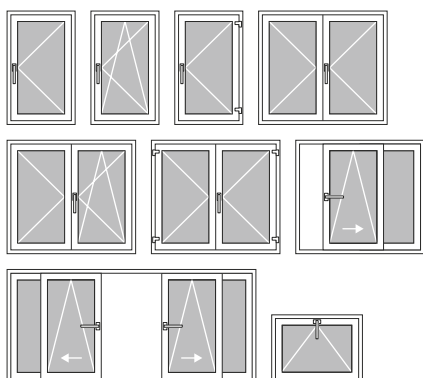
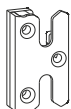


	Code	Description	Profile	Axis (mm)		
A	209100	Vertical Tilt Locking	Ivaper	13	100	
	209101	Vertical Tilt Locking	Gealan / Deco / KBE 70 (227) / Novotex 70	13	100	
	209103	Vertical Tilt Locking	Rehau / Veka / Vivaplast / WDS / KMG / Aluplast / KBE 70 (228)	13	100	
	209105	Vertical Tilt Locking	Salamander / Tera Plast	13	100	
	209106	Vertical Tilt Locking	Deceuninck	13	100	
	209111	Vertical Tilt Locking	Deceuninck / Inoutic	13	100	
	209501	Vertical Tilt Locking	KBE 58 (227) / Ramplast / Novotex 58	9	100	
	209503	Vertical Tilt Locking	KBE 58 (228)	9	100	
	B	211100	Locking Plate	Ivaper	13	500
		211101	Locking Plate	Gealan / Deco / KBE 70 (227) / Novotex 70	13	500
211103		Locking Plate	Rehau / Veka / Vivaplast / WDS / KMG / Aluplast / KBE 70 (228)	13	500	
211105		Locking Plate	Salamander / Tera Plast	13	500	
211106		Locking Plate	Deceuninck	13	300	
211111		Locking Plate	Deceuninck / Inoutic	13	300	
211501		Locking Plate	KBE 58 (227) / Ramplast / Novotex 58	9	500	
C	211503	Locking Plate	KBE 58 (228)	9	500	
	211121	Locking Plate (steel)	Gealan / Deco / KBE 70 (227) / Novotex 70	13	500	
	211123	Locking Plate (steel)	Rehau / Veka / Vivaplast / WDS / KMG / Aluplast / KBE 70 (228)	13	500	
	211125	Locking Plate (steel)	Salamander / Tera Plast	13	500	
	211521	Locking Plate (steel)	KBE 58 (227) / Ramplast / Novotex 58	9	500	
D	211523	Locking Plate (steel)	KBE 58 (228)	9	500	
	211901	Double Sash Locking Plate (inst. in hardware groove)	Universal	-	100	

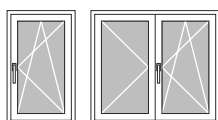
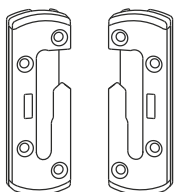
A



B

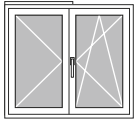
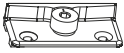


C



	Code	Description	Profile	Axis (mm)	
A	210101	Horizontal Tilt Locking	Gealan / Deco / KBE 70 (227) / Novotex 70	13	100
	210103	Horizontal Tilt Locking	Rehau / Veka / Vivaplast / WDS / KMG Aluplast / KBE 70 (228)	13	100
	210105	Horizontal Tilt Locking	Salamander / Tera Plast	13	100
	210503	Horizontal Tilt Locking	KBE 58 (228) / Ramplast	9	100
B	212101	Security Locking Plate	Gealan / Deco / KBE 70 (227) / Novotex 70	13	100
	212103	Security Locking Plate	Rehau / Veka / Vivaplast / WDS / KMG Aluplast / KBE 70 (228)	13	100
	212105	Security Locking Plate	Salamander / Tera Plast	13	100
	212503	Security Locking Plate	KBE 58 (228) / Ramplast	9	100
C	210111	Tilt First Horizontal Tilt Locking - Right	Gealan / Deco / KBE 70 (227) / Novotex 70	13	100
	210121	Tilt First Horizontal Tilt Locking - Left	Gealan / Deco / KBE 70 (227) / Novotex 70	13	100
	210113	Tilt First Horizontal Tilt Locking - Right	Rehau / Veka / Vivaplast / WDS / KMG Aluplast / KBE 70 (228)	13	100
	210123	Tilt First Horizontal Tilt Locking - Left	Rehau / Veka / Vivaplast / WDS / KMG Aluplast / KBE 70 (228)	13	100

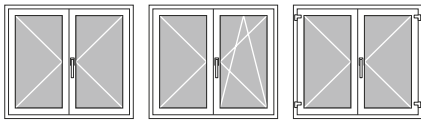
A



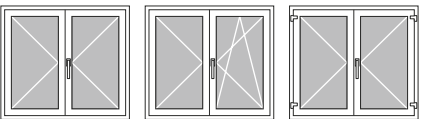
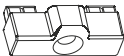
B



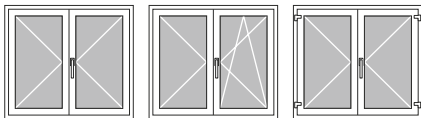
C



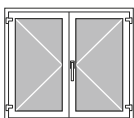
D




E

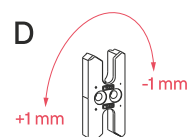
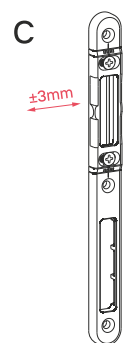
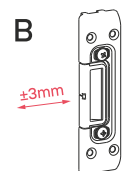
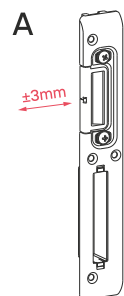


F

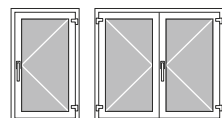


	Code	Description	Application	Axis (mm)	
A	214101	Mishandling & Lifting Device Locking Plate	221101; Standard	13	100
	214501	Mishandling & Lifting Device Locking Plate	221101; Standard	9	100
	214901	Mishandling & Lifting Device Locking Plate	221101; Mullion	-	100
B	215101	Night-Vent Multi-stepped Locking Plate	203106	9 / 13	100
C	213102	Locking Plate - Bolt (adjustable)	202141; 202142; 202143	9 / 13	100
	213101	Locking Plate - Bolt	202141; 202142; 202143	13	200
D	213501	Locking Plate - Bolt	202141; 202142; 202143	9	200
	213103	Door Locking Bolt Striker (for frame profile)	202144	9 / 13	100
E	213104	Door Locking Bolt Striker (for doorstep profile)	202144	9 / 13	100
F	210106	Striker for Door Applicable Corner (for doorstep profile)	203120	13	20

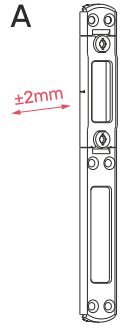
# Door Lock Striker "DELTA"




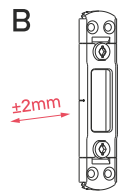
	Code	Description	Application	Axis (mm)	
A	405101	Door Lock Striker "DELTA" - Long	Right	13	100
	405102	Door Lock Striker "DELTA" - Long	Left	13	100
	405501	Door Lock Striker "DELTA" - Long	Right	9	100
	405502	Door Lock Striker "DELTA" - Long	Left	9	100
B	405103	Door Lock Striker "DELTA" - Short	Universal	13	100
	405503	Door Lock Striker "DELTA" - Short	Universal	9	100
C	405901	Door Lock Striker "HOK" - for Double Sash	Universal	-	100
D	211135	Universal Security Locking Plate (Zamak)	Universal	13	100



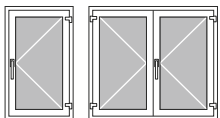
# Door Lock Striker "FLEKS"



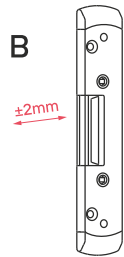
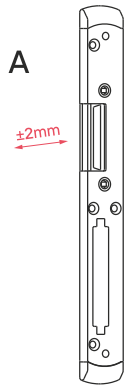
	Code	Description	Application	Axis (mm)	
A	405104	Door Lock Striker "FLEKS" - Long	Universal (PVC)	13	80
	405504	Door Lock Striker "FLEKS" - Long	Universal (PVC)	9	80
B	405105	Door Lock Striker "FLEKS" - Short	Universal (PVC)	13	100
	405505	Door Lock Striker "FLEKS" - Short	Universal (PVC)	9	100
C	405902	Door Lock Striker "ALUFLEX" - for Aluminium	Universal (Aluminium)	-	80




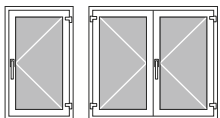
\* for Aluminium Profiles

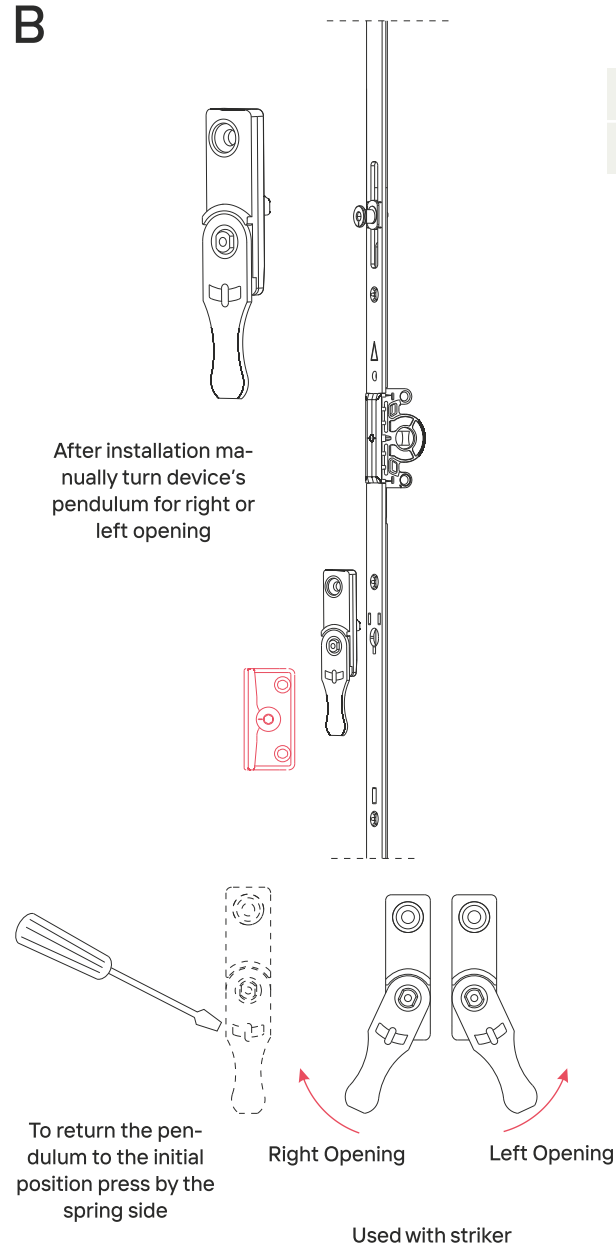
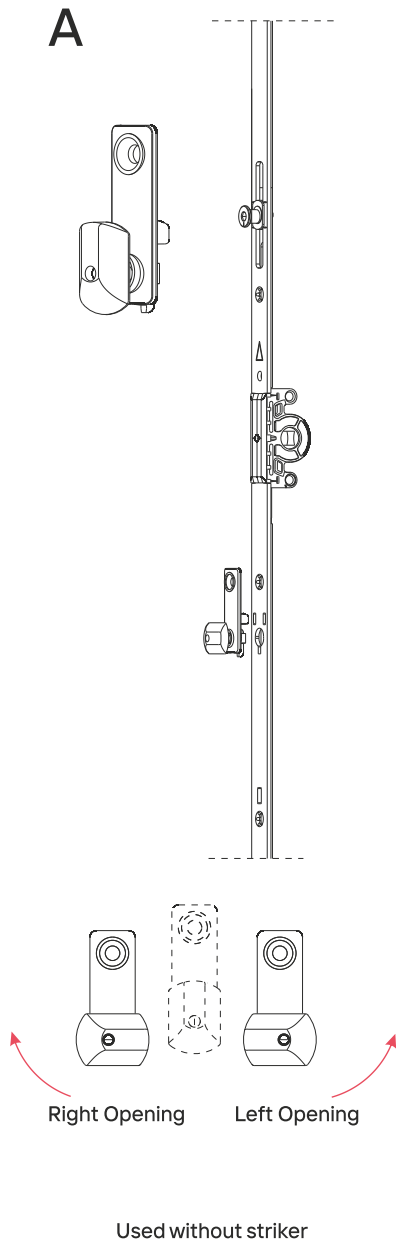


# Door Lock Striker "ELEGANCE"

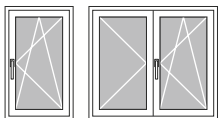


	Code	Description	Application	Axis (mm)	
A	405106	Door Lock Striker "ELEGANCE" - Long	Right	13	100
	405107	Door Lock Striker "ELEGANCE" - Long	Left	13	100
	405506	Door Lock Striker "ELEGANCE" - Long	Right	9	100
	405507	Door Lock Striker "ELEGANCE" - Long	Left	9	100
B	405108	Door Lock Striker "ELEGANCE" - Short	Universal	13	100
	405508	Door Lock Striker "ELEGANCE" - Short	Universal	9	100




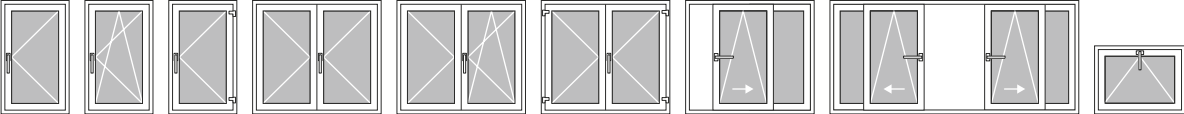
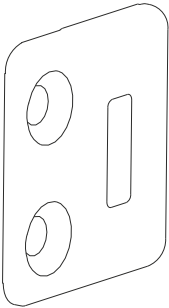
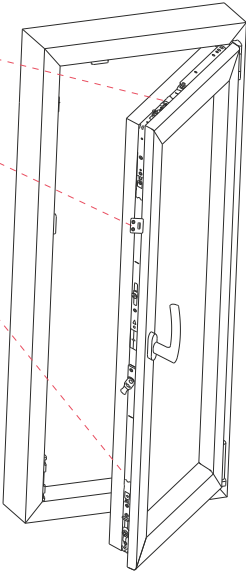
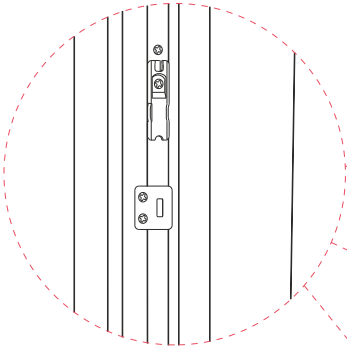
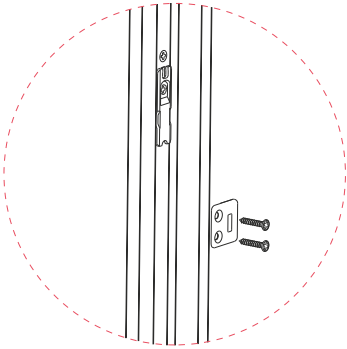


	Code	Desripton	
A	221201	Standart Mishandling Device	100
B	221101	Mishandling & Lifting Device	100

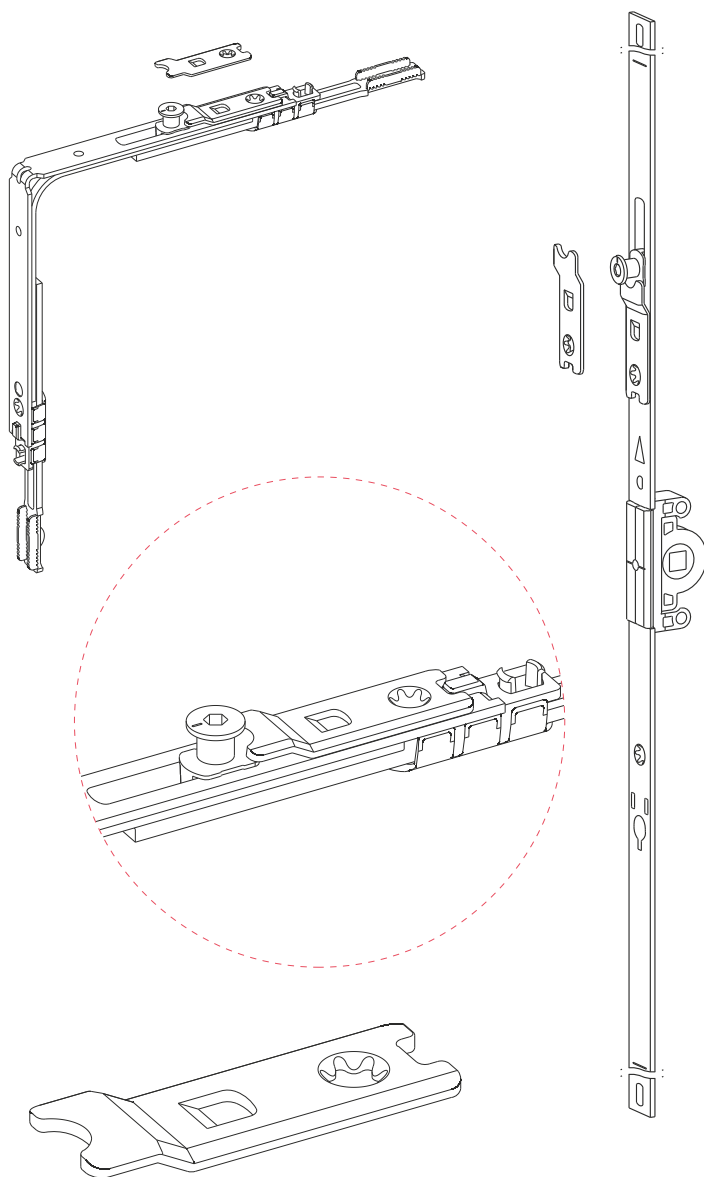


# Additional Support Plate

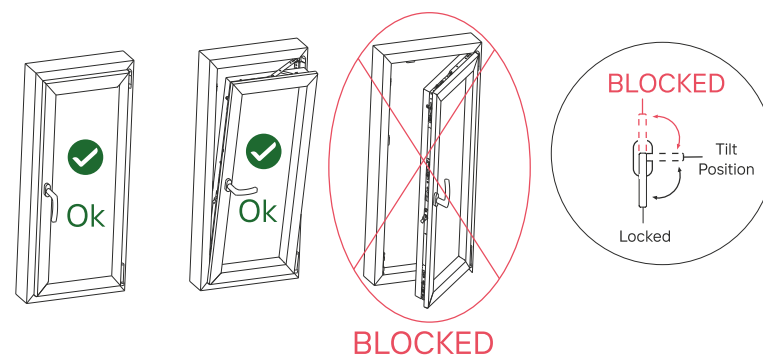
Code	Description	
201301	Additional Support Plate	100



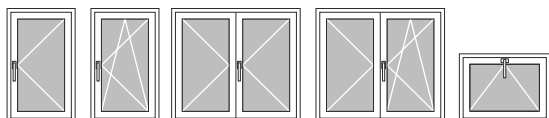
# Pin Limiter Plate

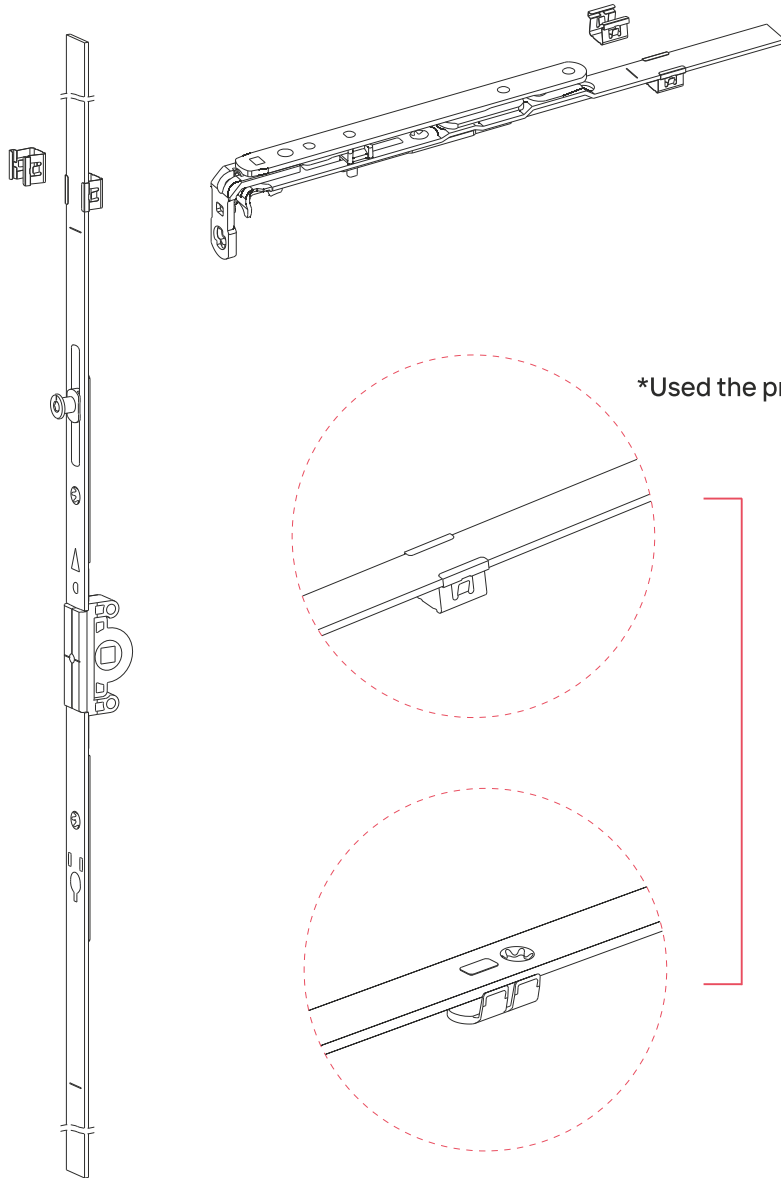


Code	Description	
201101	Pin Limiter Plate	500




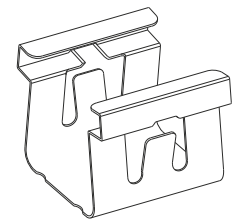
TILT FIRST Tilt & Turn System



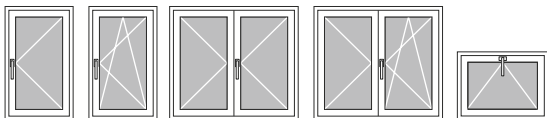


\*Used the product without plastic clips

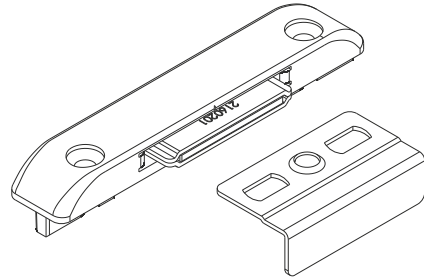
Code	Description	
201302	Metal Clips	500



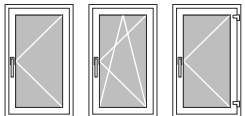
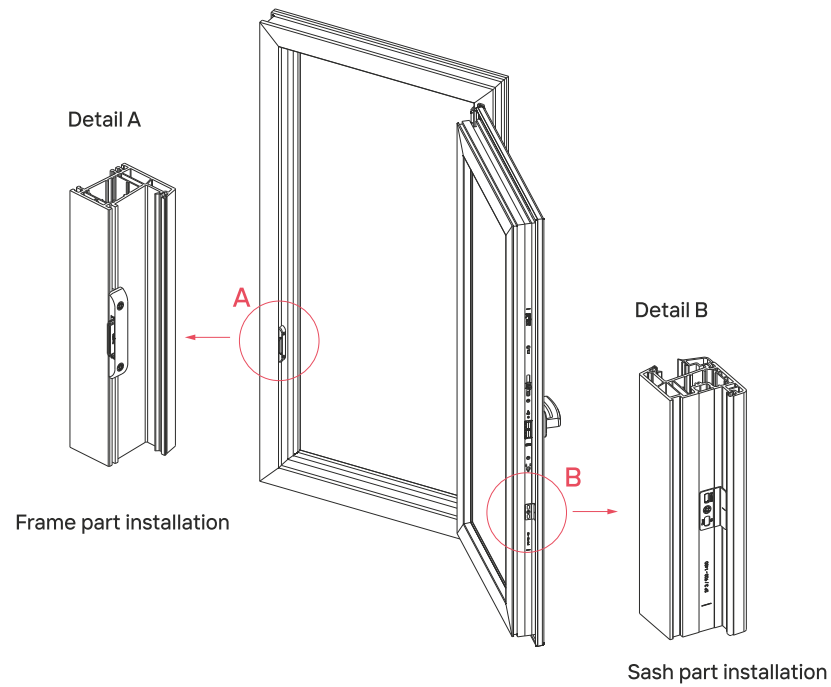
Products without plastic clips;	
Code	Description
204100	MK 0 - Stay Arm Set
201121	SP 1 - Tilt & Turn Variable Gear
201122	SP 2 - Tilt & Turn Variable Gear
All Turn Variable Gears	



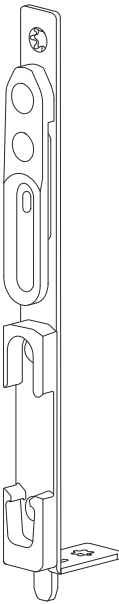
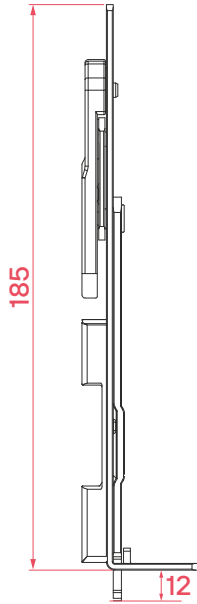
# Magnetic Balcony Door Catch



Code	Description	
216101	Magnetic Balcony Door Catch - 13 mm Axis	100
216501	Magnetic Balcony Door Catch - 9 mm Axis	100

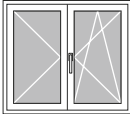


# Locking Bolt ( With Striker)

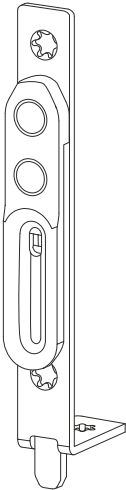
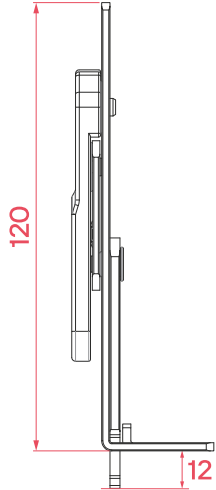


Code	Description	
202141	Locking Bolt (With Striker)	100

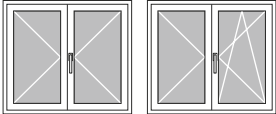
\*Can be used in the double casement applications without Double Sash Gear



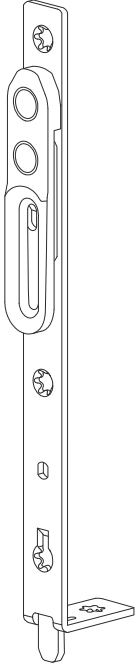
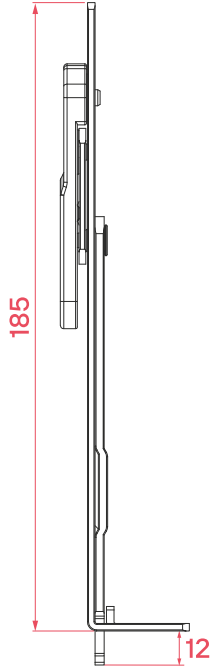
# Locking Bolt (Short)




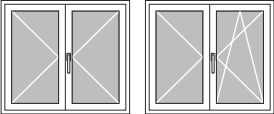
Code	Description	
202143	Locking Bolt (Short)	100



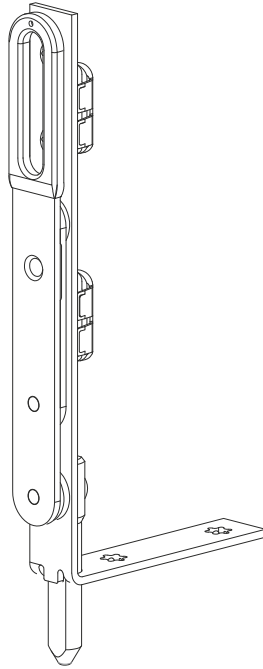
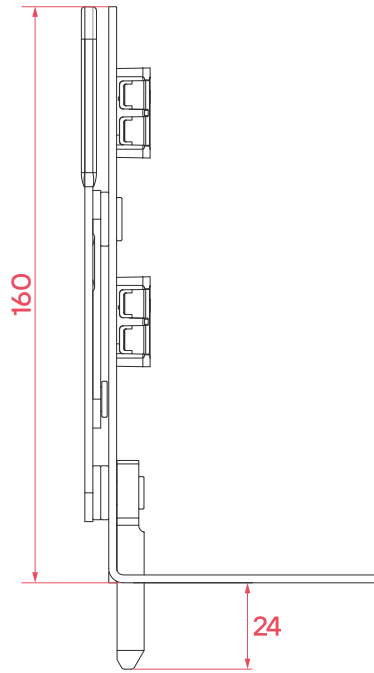
# Locking Bolt (Long)




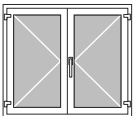
Code	Description	
202142	Locking Bolt (Long)	100



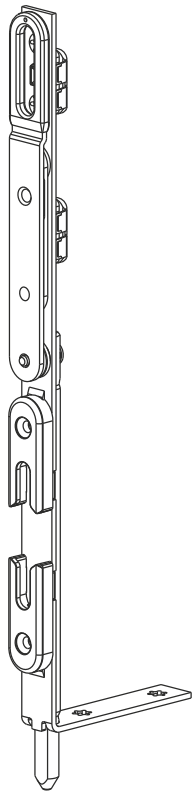
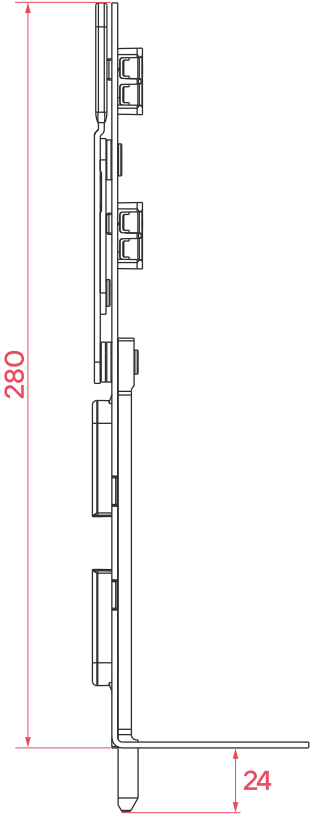
# Door Locking Bolt




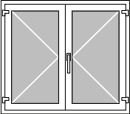
Code	Description	
202144	Door Locking Bolt	100



# Door Locking Bolt (With striker)



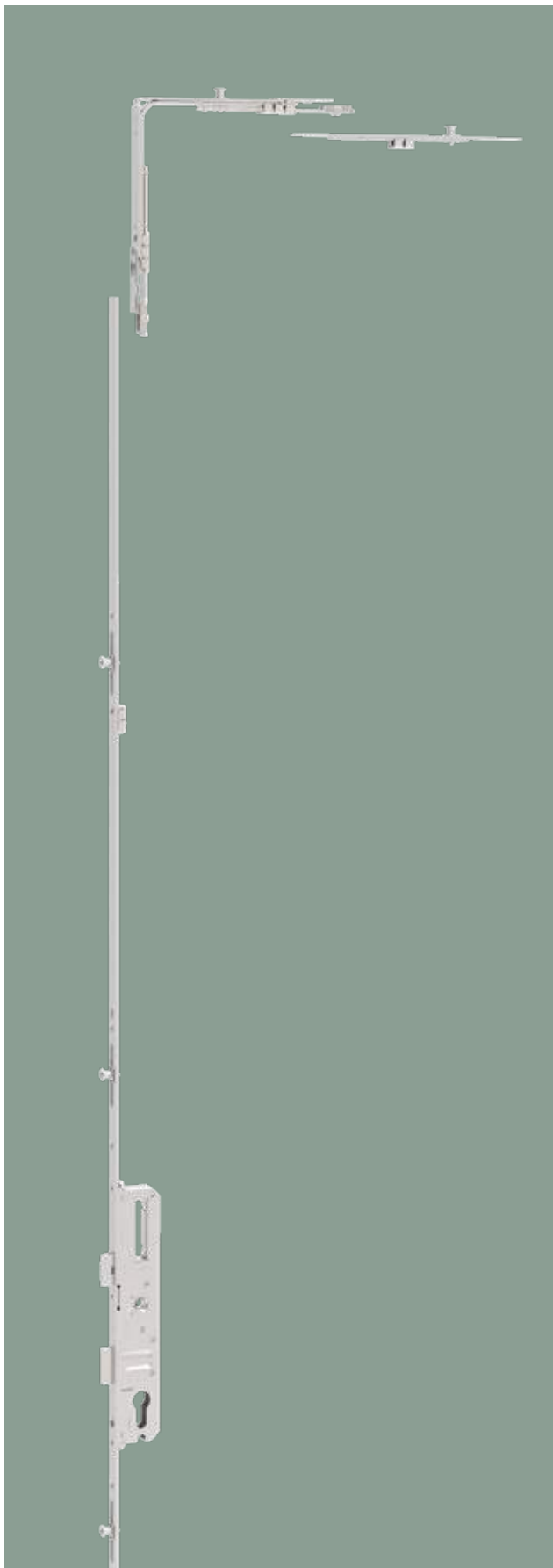
Code	Description	
202145	Door Locking Bolt (With striker)	100



A white-framed door is shown partially open, revealing its internal mechanism. The door has a white handle and a lock. The background is a solid, muted reddish-pink color. The text "Door Hardwares" is overlaid on the image in a light gray, sans-serif font.

# Door Hardwares

## Multi-Point Door Locks



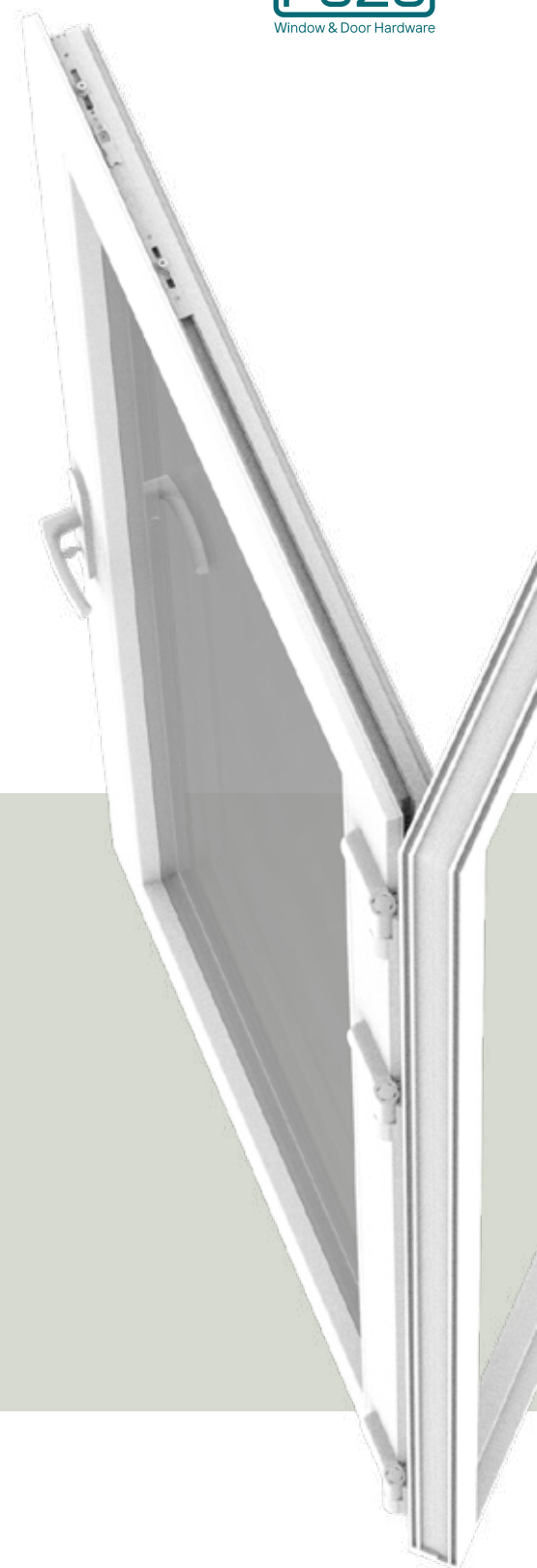
Multi-Point Door Locks are manufactured in a metal case, due to which they have enhanced operational characteristics. There is a wide range of standard application ranges in height, the possibility of extension using additional elements, the possibility of trimming to the size of the sash.

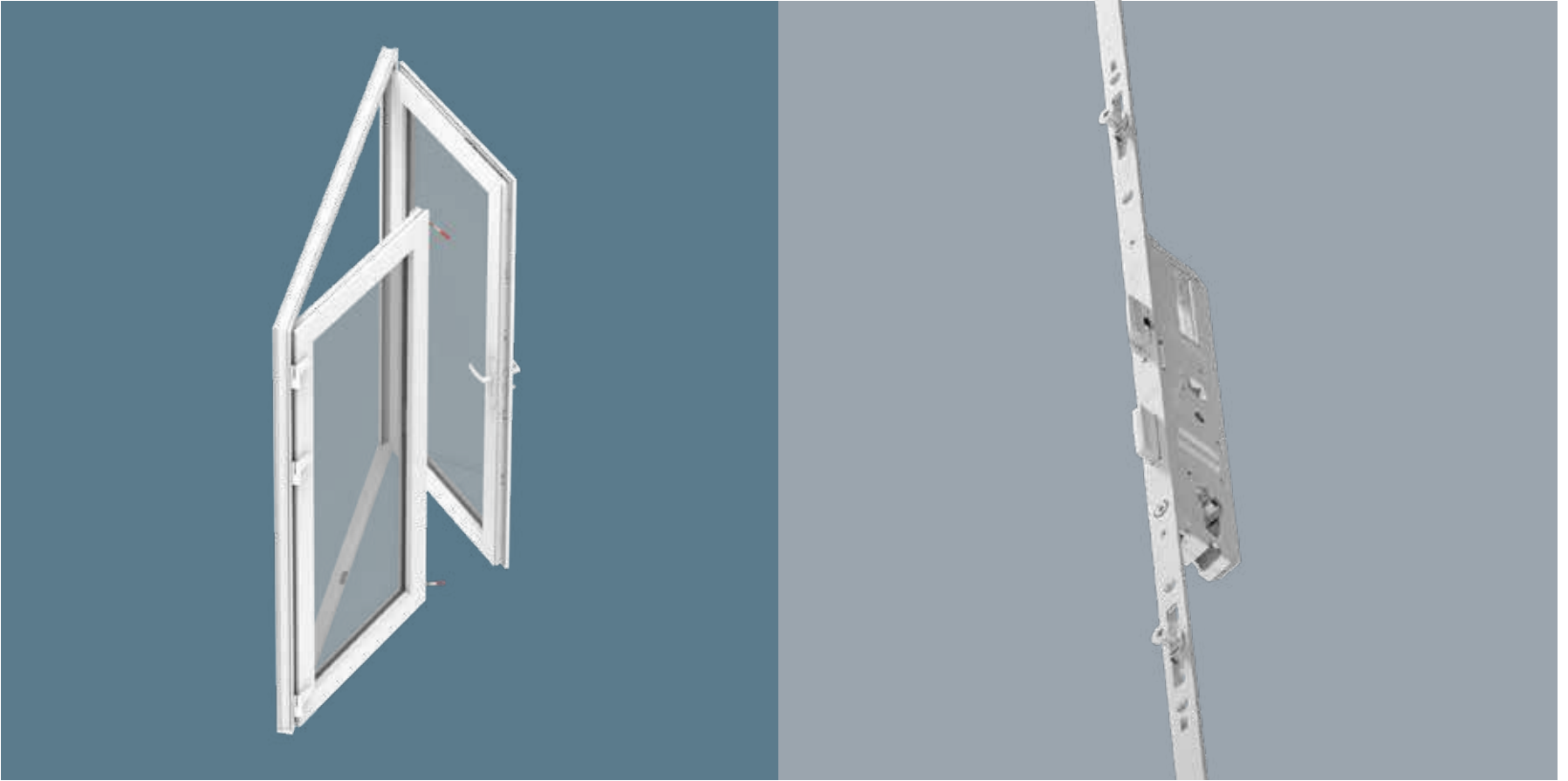


## 3D Door Hinges "ALPHA XL"

---

3D Hinges For PVC Doors - "ALPHA XL"  
Made from galvanized steel, covered by plastic, resistant  
ot UV and freeze. Three-dimensionally adjustable and selectable,  
overlap thickness.





## Multi-Point Door Locks

Multi-Point Door Locks are applicable in double sash doors, the modular design allows you to supplement the sash in the upper part, using more locking points.

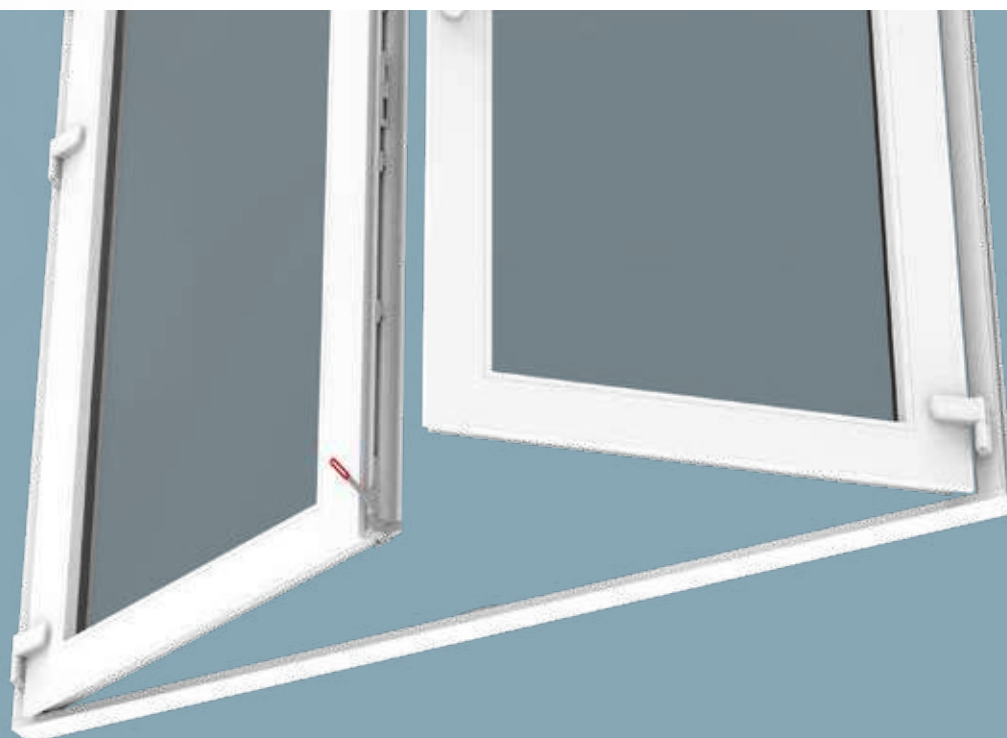


## 3D Door Hinges "Avalon"

---

3D Door Hinges "AVALON"

Made from zamak alloy. Three-dimensionally adjustable and selectable overlap thickness





## Cylinder Door Locks

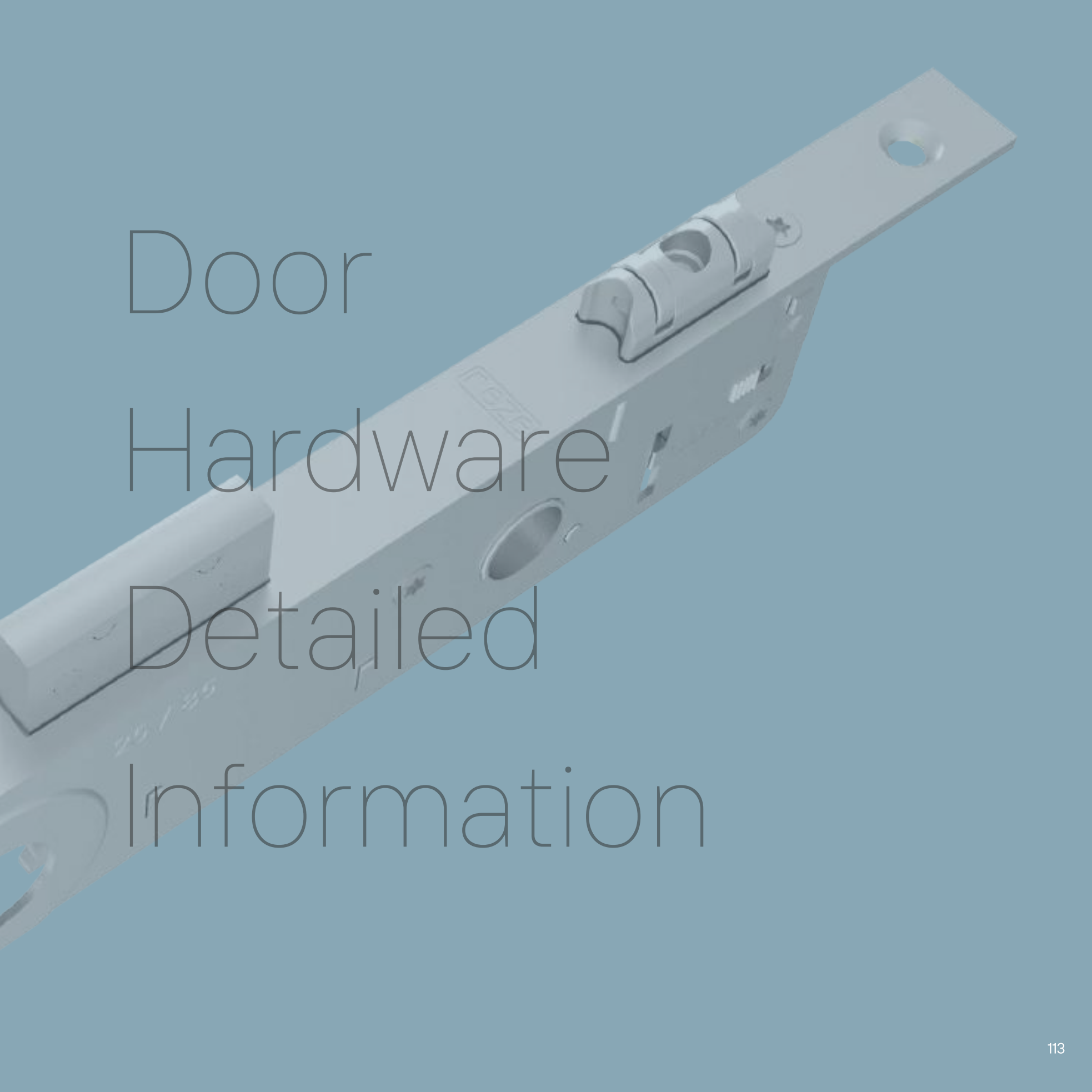
---

Cylinder Door Locks for PVC doors are made in a metal or plastic case. A wide range is available for use with various profile systems and door handle options.

The entire range of door components meets high quality standards. Door hinges and door locks provide comfortable and safe operation of door structures.







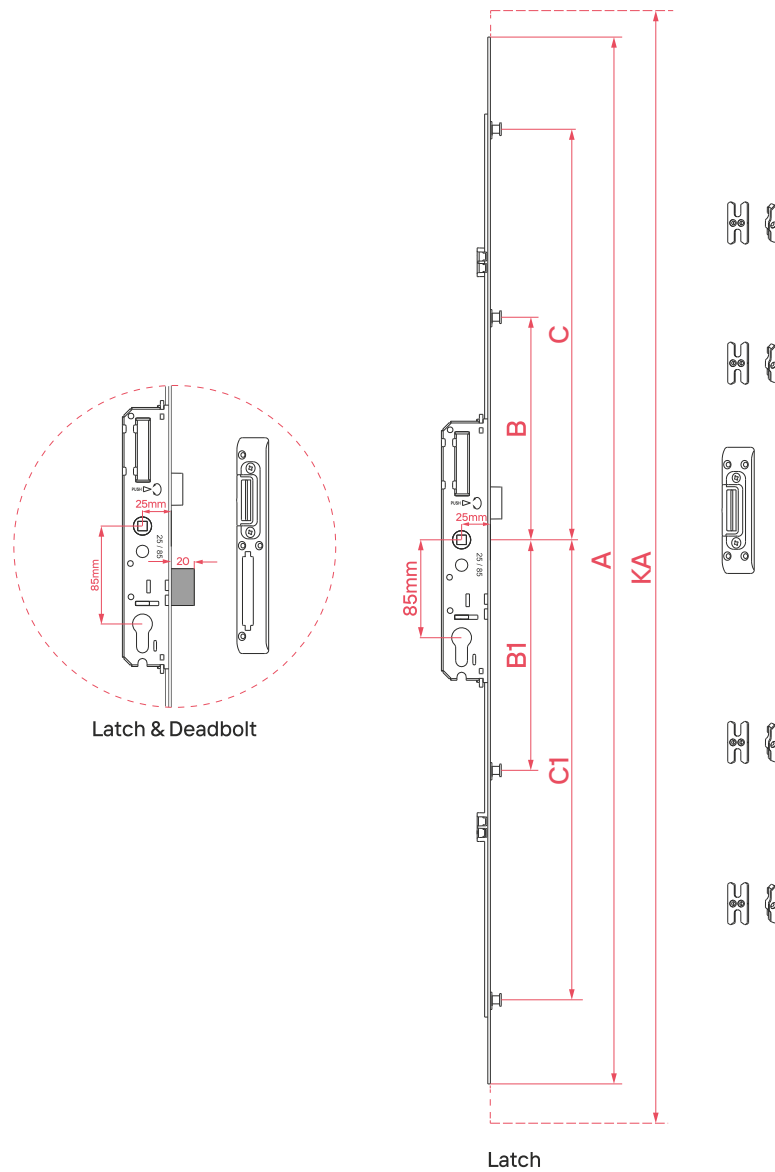
Door

Hardware

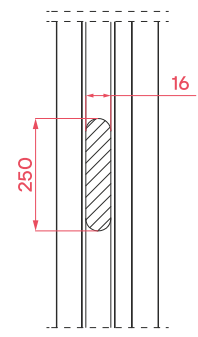
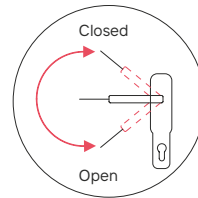
Detailed

Information

## 25/85 - Latch / Deadbolt & Latch

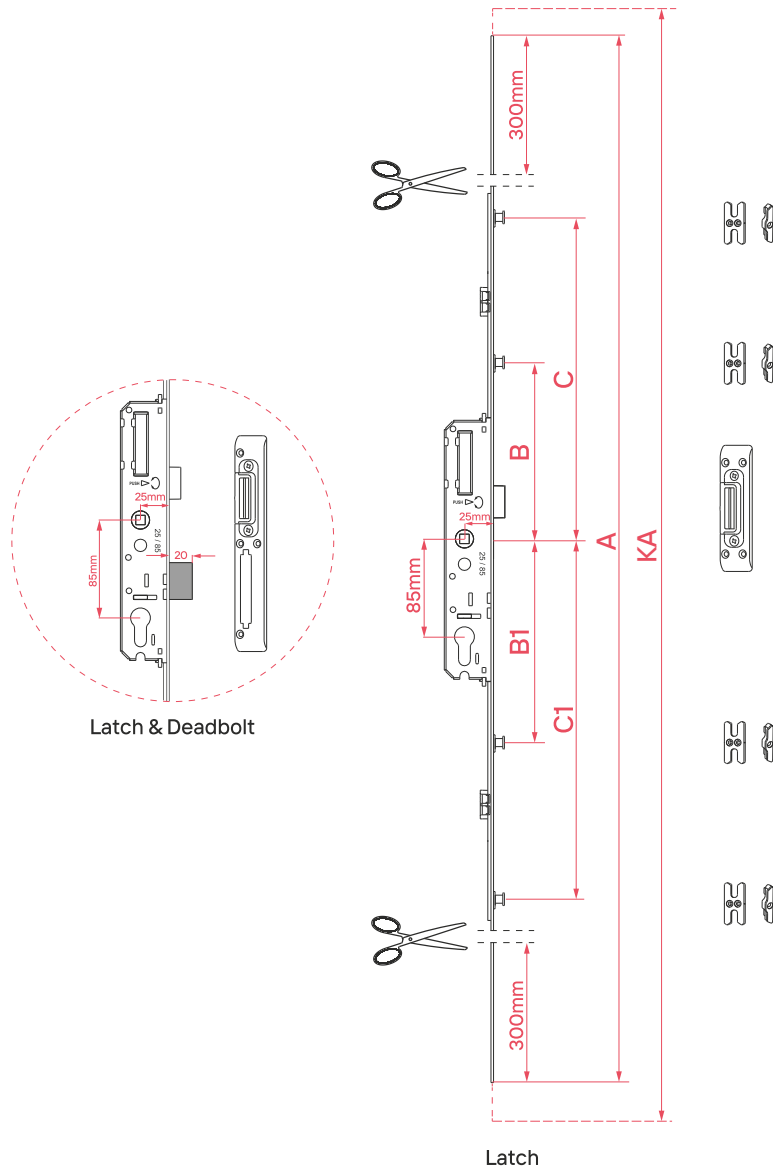



Code	Description	KA (mm)	A (mm)	B (mm)	B1 (mm)	C (mm)	C1 (mm)		
400101	25/85 SR Latch&Deadbolt	1600 - 1800	1600	218	255	691	728	4	10
400102	25/85 Latch	1600 - 1800	1600	218	255	691	728	4	10
400103	25/85 SR Latch&Deadbolt	1800 - 2000	1800	252	289	791	828	4	10
400104	25/85 Latch	1800 - 2000	1800	252	289	791	828	4	10
400105	25/85 SR Latch&Deadbolt	2000 - 2200	2000	286	323	891	928	4	10
400106	25/85 Latch	2000 - 2200	2000	286	323	891	928	4	10

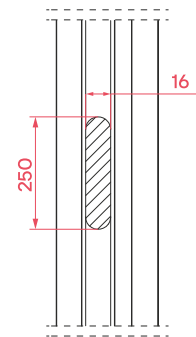
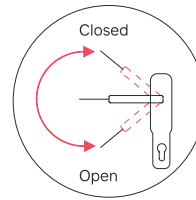


# Cut-off Multi-Point Door Lock

## 25/85 - Latch / Deadbolt & Latch

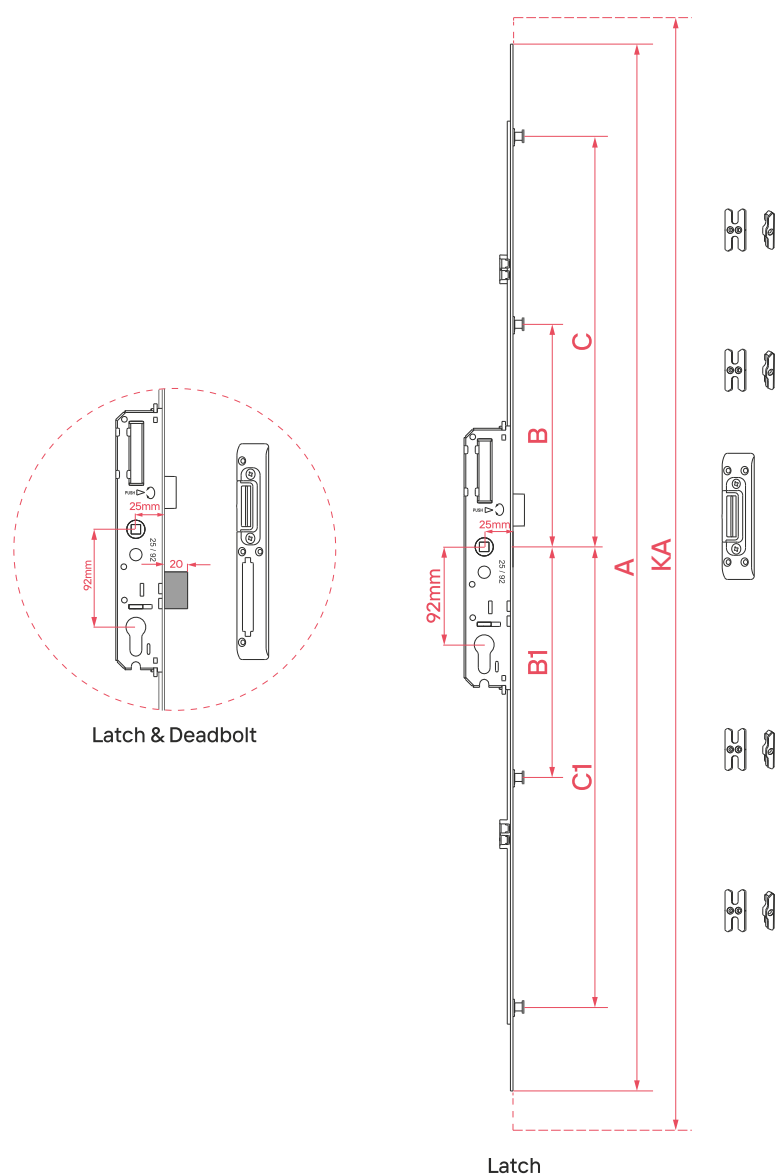




Code	Description	KA (mm)	A (mm)	B (mm)	B1 (mm)	C (mm)	C1 (mm)		
400107	25/85 SR Latch&Deadbolt	1600 - 2200	2200	218	255	691	728	4	10
400108	25/85 Latch	1600 - 2200	2200	218	255	691	928	4	10

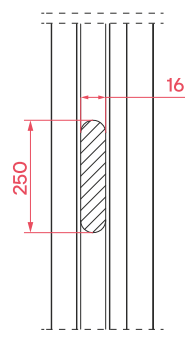
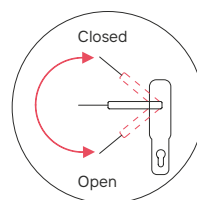


# Multi-Point Door Lock

## 25/92 - Latch / Deadbolt & Latch

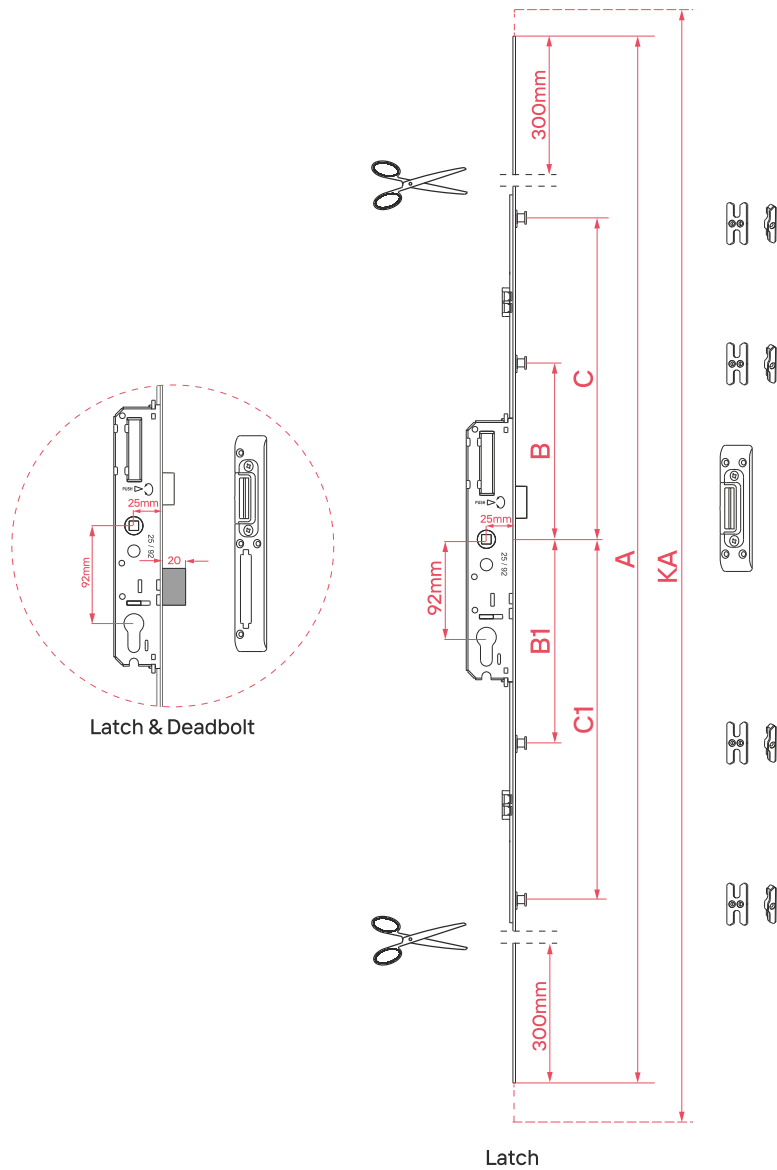


Code	Description	KA (mm)	A (mm)	B (mm)	B1 (mm)	C (mm)	C1 (mm)		
400161	25/92 SR Latch&Deadbolt	1600 - 1800	1600	218	262	691	735	4	10
400162	25/92 Latch	1600 - 1800	1600	218	262	691	735	4	10
400163	25/92 SR Latch&Deadbolt	1800 - 2000	1800	252	296	791	835	4	10
400164	25/92 Latch	1800 - 2000	1800	252	296	791	835	4	10
400165	25/92 SR Latch&Deadbolt	2000 - 2200	2000	286	330	891	935	4	10
400166	25/92 Latch	2000 - 2200	2000	286	330	891	935	4	10

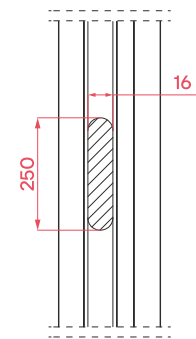
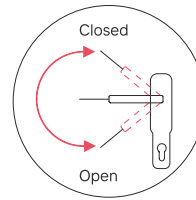


# Cut-off Multi-Point Door Lock

## 25/92 - Latch / Deadbolt & Latch

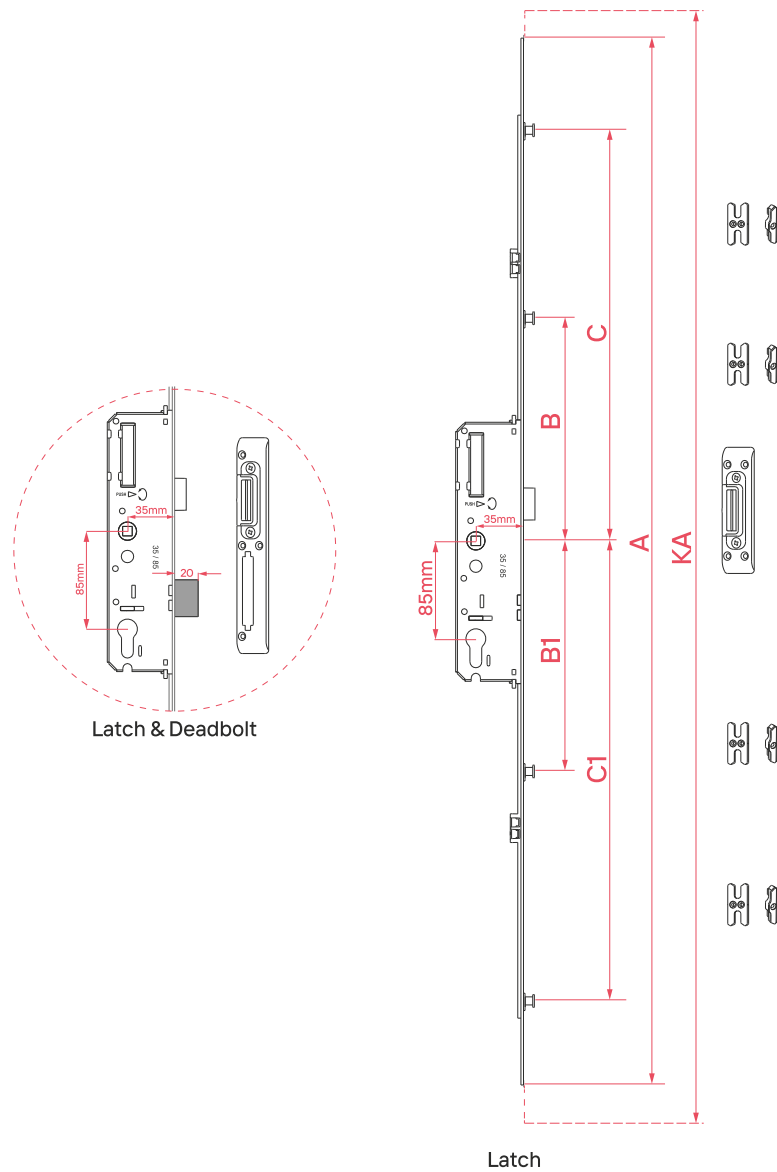




Code	Description	KA (mm)	A (mm)	B (mm)	B1 (mm)	C (mm)	C1 (mm)		
400167	25/92 SR Latch&Deadbolt	1600 - 2200	2200	218	262	691	735	4	10
400168	25/92 Latch	1600 - 2200	2200	218	262	691	735	4	10

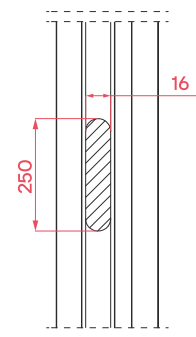
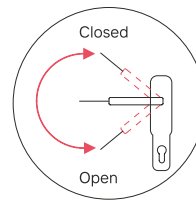


# Multi-Point Door Lock

## 35/85 - Latch / Deadbolt & Latch

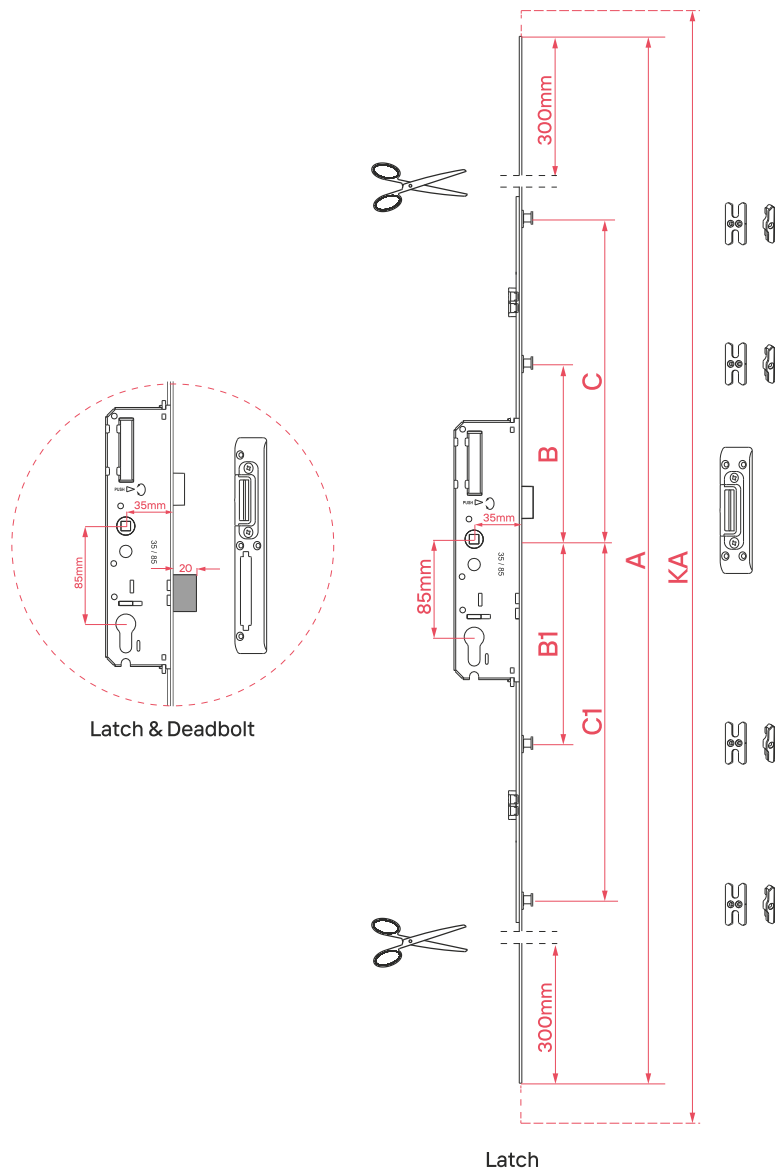



Code	Description	KA (mm)	A (mm)	B (mm)	B1 (mm)	C (mm)	C1 (mm)		
400121	35/85 SR Latch&Deadbolt	1600 - 1800	1600	218	255	691	728	4	10
400122	35/85 Latch	1600 - 1800	1600	218	255	691	728	4	10
400123	35/85 SR Latch&Deadbolt	1800 - 2000	1800	252	289	791	828	4	10
400124	35/85 Latch	1800 - 2000	1800	252	289	791	828	4	10
400125	35/85 SR Latch&Deadbolt	2000 - 2200	2000	286	323	891	928	4	10
400126	35/85 Latch	2000 - 2200	2000	286	323	891	928	4	10

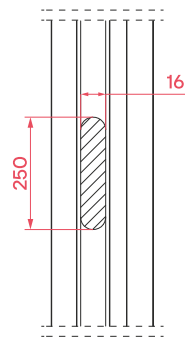
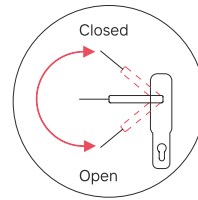


# Cut-off Multi-Point Door Lock

## 35/85 -Latch / Deadbolt & Latch

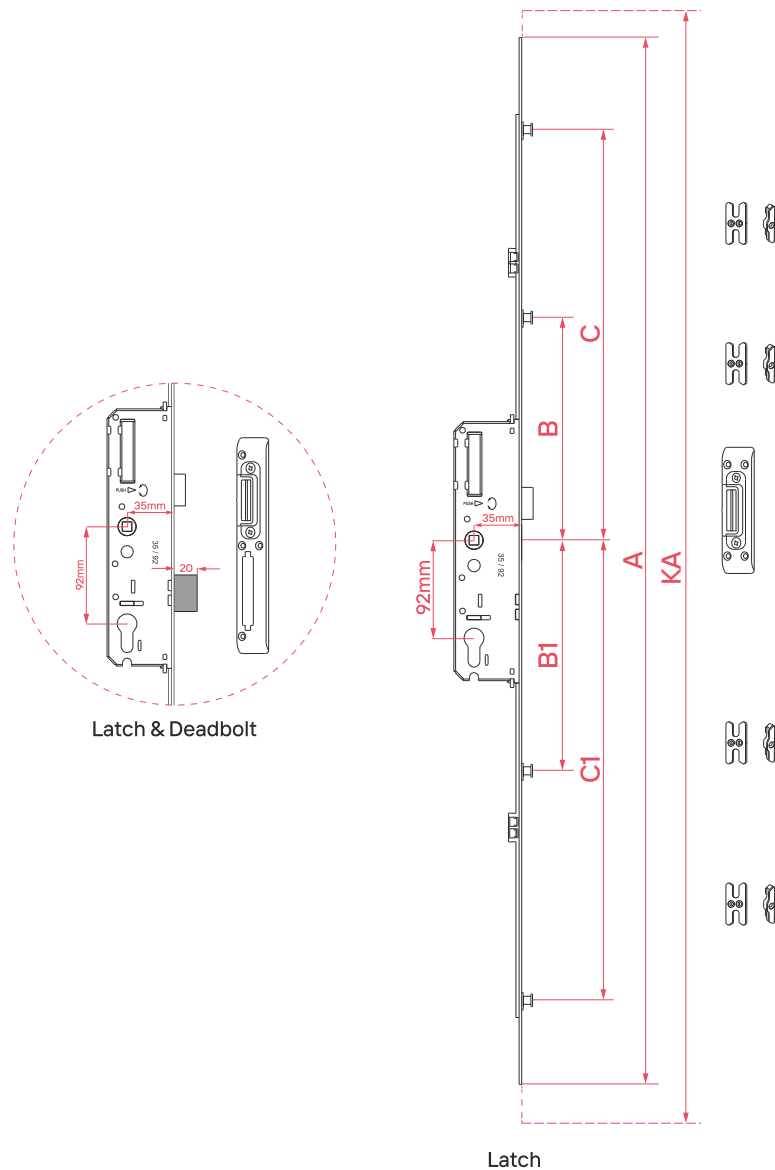




Code	Description	KA (mm)	A (mm)	B (mm)	B1 (mm)	C (mm)	C1 (mm)		
400127	35/85 SR Latch&Deadbolt	1600 - 2200	2200	218	255	691	728	4	10
400128	35/85 Latch	1600 - 2200	2200	218	255	691	928	4	10

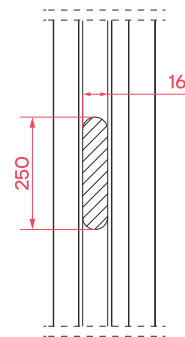
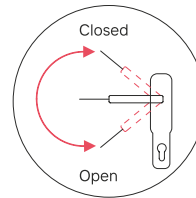


# Multi-Point Door Lock

## 35/92 - Latch / Deadbolt & Latch

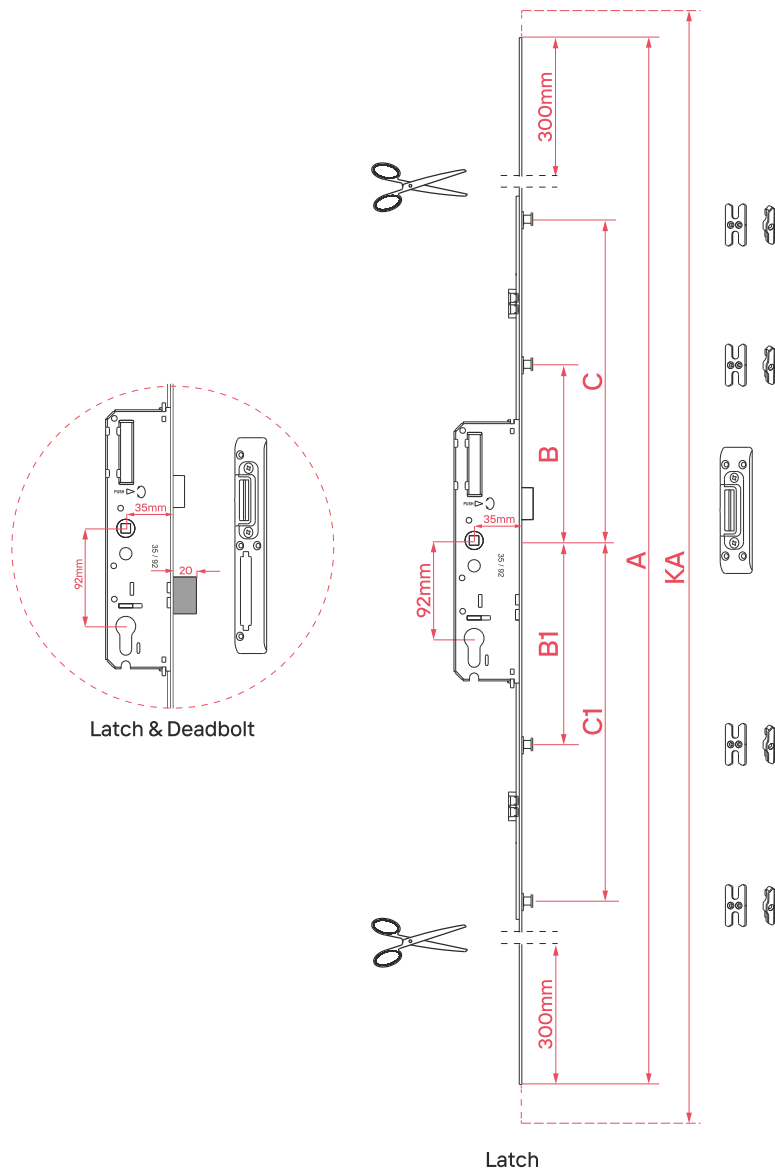




Code	Description	KA (mm)	A (mm)	B (mm)	B1 (mm)	C (mm)	C1 (mm)		
400181	35/92 SR Latch&Deadbolt	1600 - 1800	1600	218	262	691	735	4	10
400182	35/92 Latch	1600 - 1800	1600	218	262	691	735	4	10
400183	35/92 SR Latch&Deadbolt	1800 - 2000	1800	252	296	791	835	4	10
400184	35/92 Latch	1800 - 2000	1800	252	296	791	835	4	10
400185	35/92 SR Latch&Deadbolt	2000 - 2200	2000	286	330	891	935	4	10
400186	35/92 Latch	2000 - 2200	2000	286	330	891	935	4	10

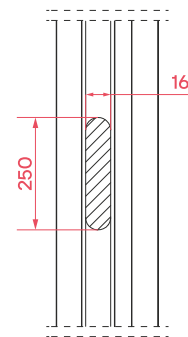
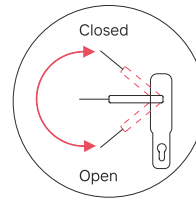


# Cut-off Multi-Point Door Lock

## 35/92 - Latch / Deadbolt & Latch

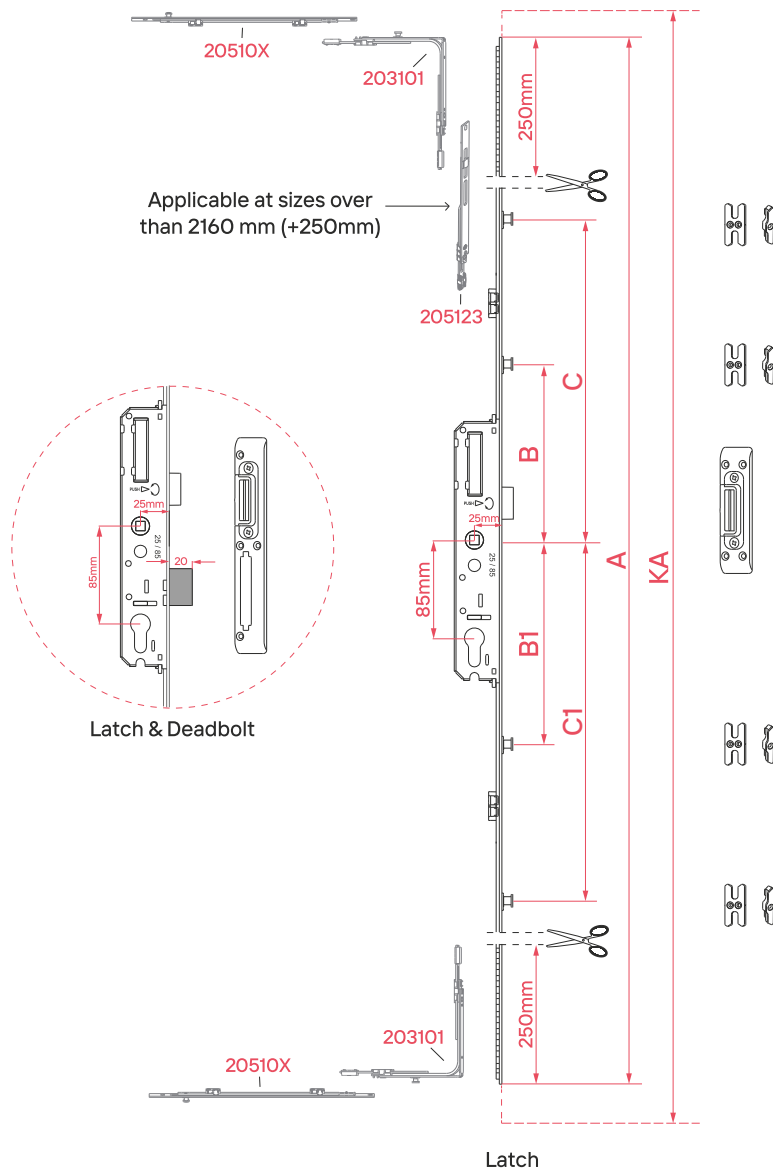




Code	Description	KA (mm)	A (mm)	B (mm)	B1 (mm)	C (mm)	C1 (mm)		
400187	35/92 SR Latch&Deadbolt	1600 - 2200	2200	218	262	691	735	4	10
400188	35/92 Latch	1600 - 2200	2200	218	262	691	735	4	10

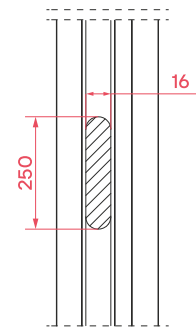
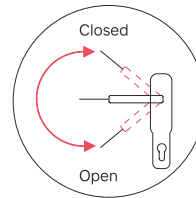


# Modular Multi-Point Door Lock

## Modular Multi-Point Door Lock 25/85 / Latch / Deadbolt & Latch



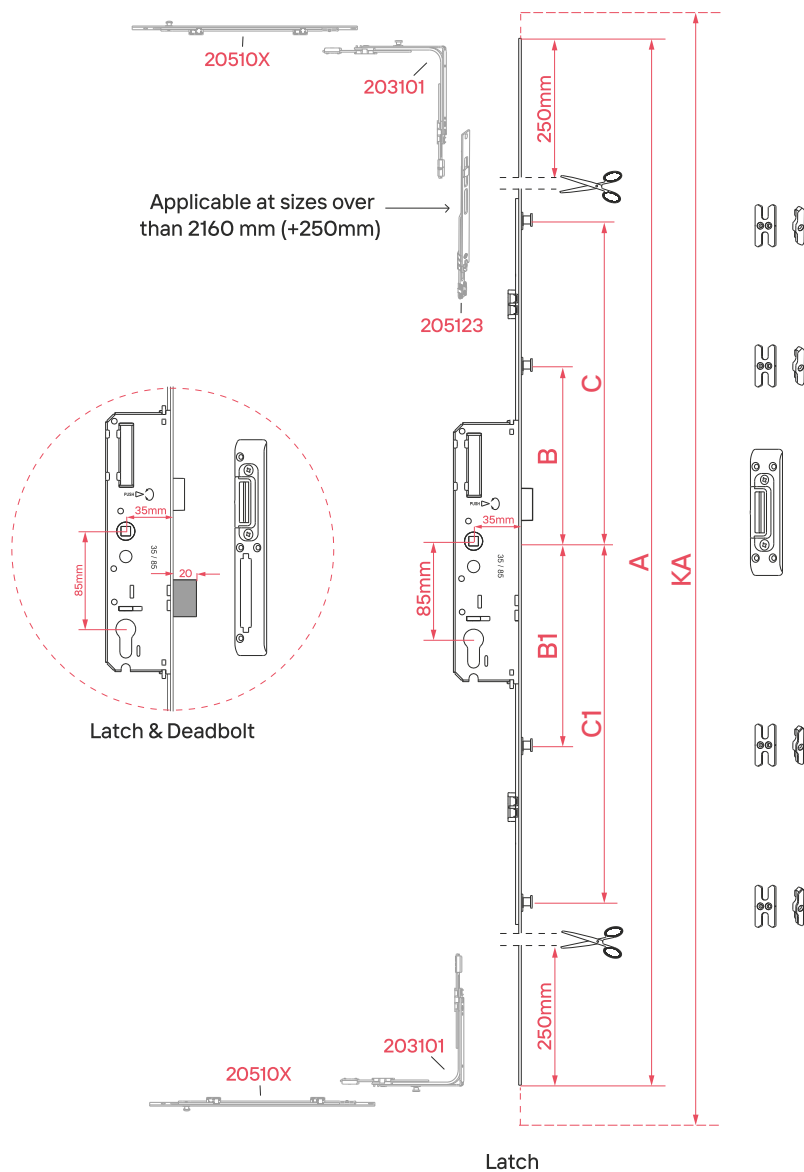
Code	Description	KA (mm)	A (mm)	B (mm)	B1 (mm)	C (mm)	C1 (mm)		
400109	25/85 SR Latch&Deadbolt	1660 - 2160	1900	203	201	559	559	4	10
400110	25/85 Latch	1660 - 2160	1900	203	201	559	559	4	10





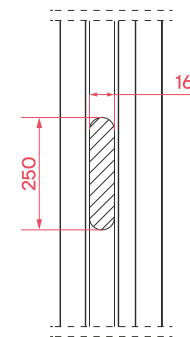
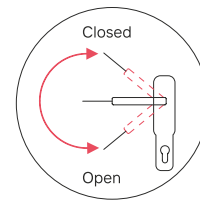


# Modular Multi-Point Door Lock

## Modular Multi-Point Door Lock 35/85 / Latch / Deadbolt & Latch



Code	Description	KA (mm)	A (mm)	B (mm)	B1 (mm)	C (mm)	C1 (mm)		
400129	35/85 SR Latch&Deadbolt	1660 - 2160	1900	203	201	559	559	4	10
400130	35/85 Latch	1660 - 2160	1900	203	201	559	559	4	10





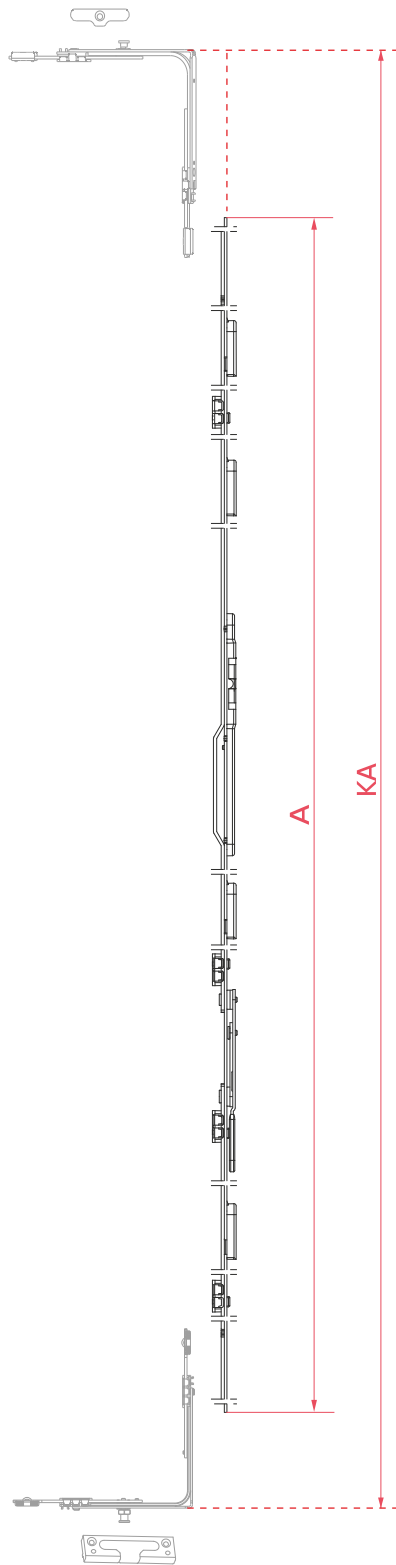
## Door Double Sash Gear and Accessories for them


---

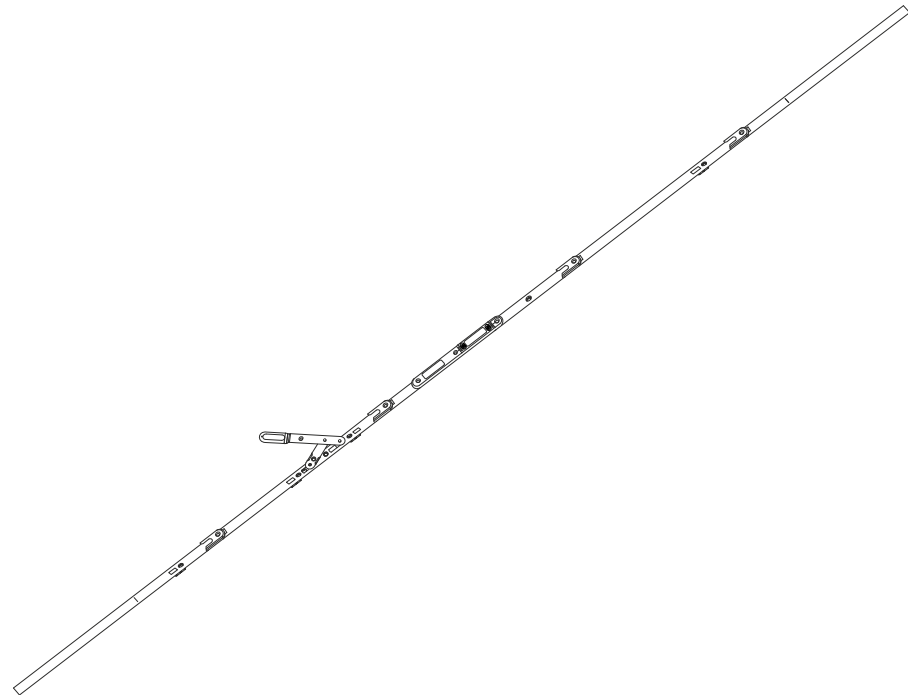
Door Double Sash Gear are used in double casement doors made of PVC profile. The convenient handle in the middle part allows easy and comfortable opening and closing of the sash. Specially designed Corner Transmissions, which are used in the lower part, securely fix the door with the help of a locking plate, which is integrated into the profile of aluminium doorstep.



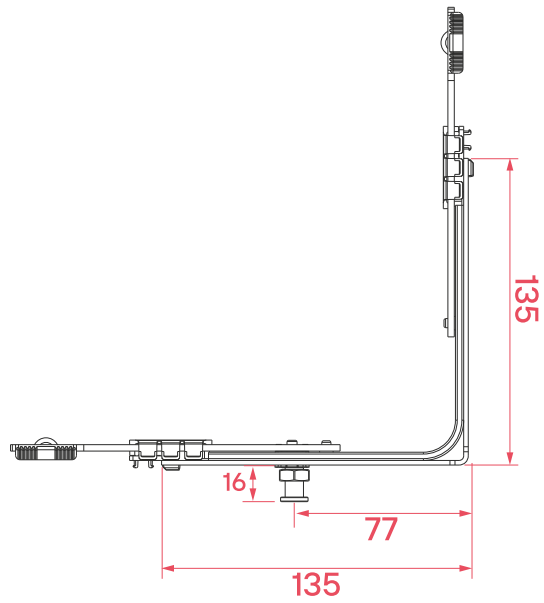
# Door Double Sash Gear Centred





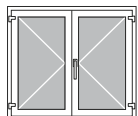
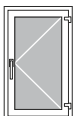
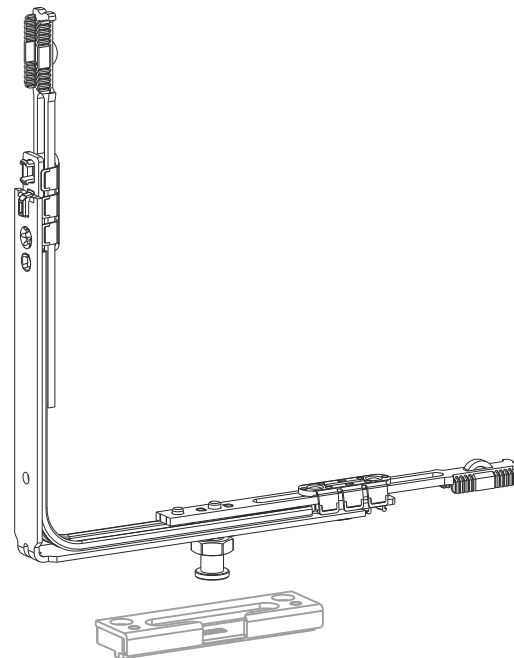
Code	Description	KA (mm)	A (mm)	
202115	KCSP 5 - Door Double Sash Gear Centred	1660 - 2160	1900	10



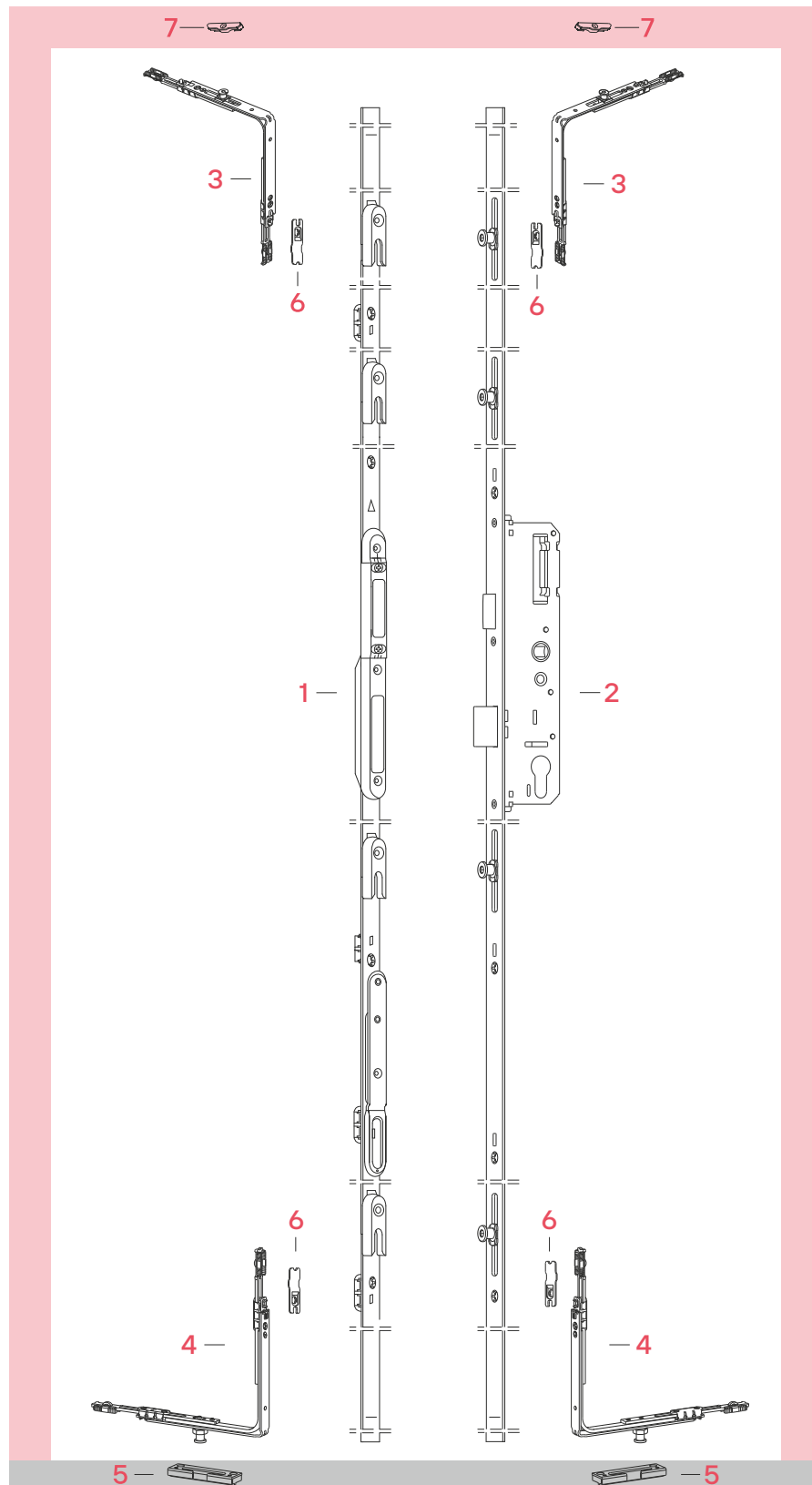
# Door Applicable Corner Transmission



Code	Description		
203120	Door Applicable Corner Transmission	1	10



# Application of the Door Double Sash Gear



Page

1	KCSP 5 - Door Double Sash Gear Centred	127
2	Modular Multi-Point Door Lock	122-125
3	Corner Transmission	57
4	Door Applicable Corner Transmission	128
5	Striker for Door Applicable Corner Transmission	92
6	Corner Transmission Connecting Part	56
7	Locking Plate	90

— Door Frame Profile

— Doorstep Profile

## Locks for Aluminium Doors "SIGMA"

---

High-quality locks, easy installation and comfort in operation.

Metal case, diameter of connecting pins - 6 mm.

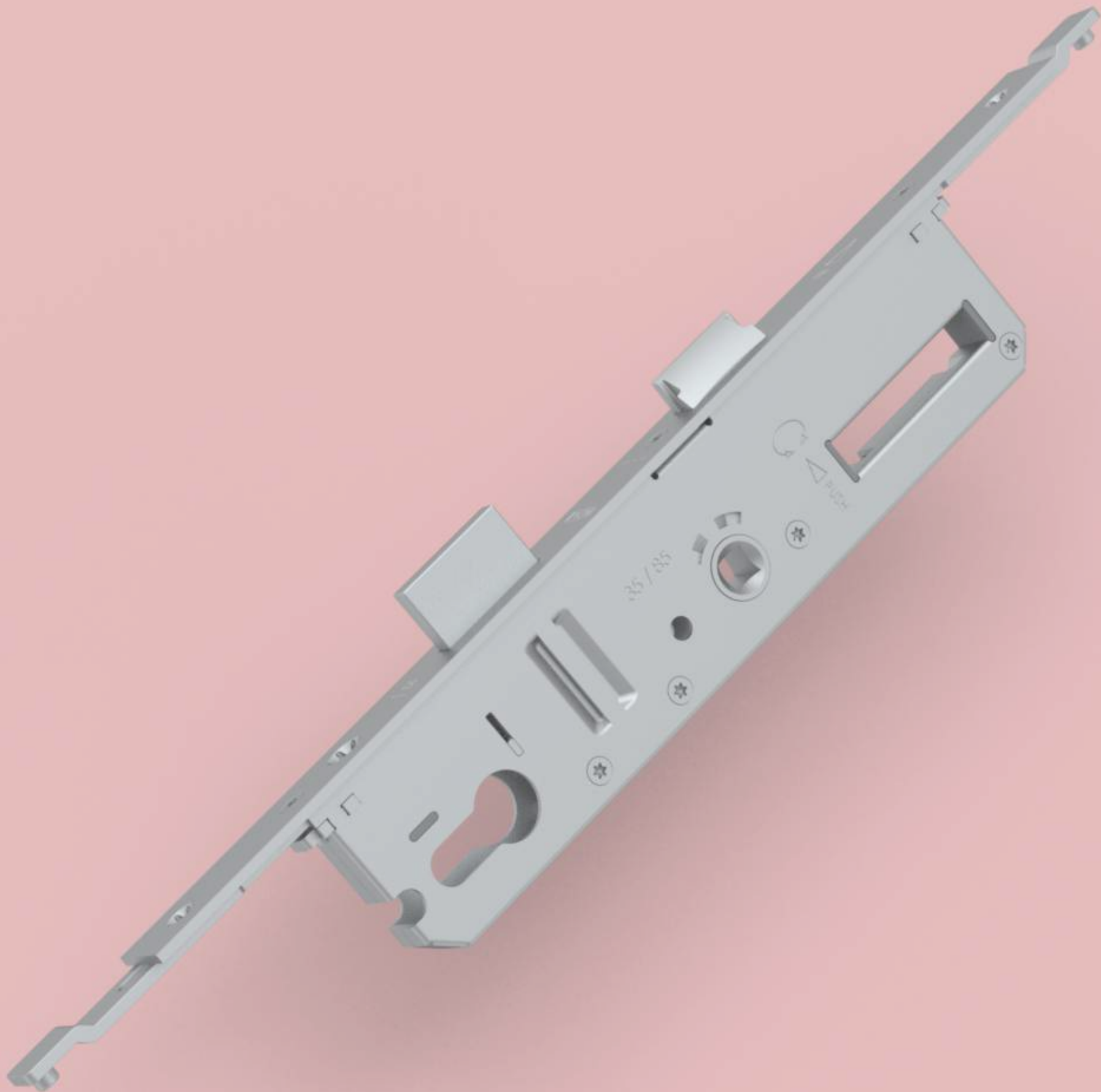
All models of these locks are a handle operated.

Wide range of the backsets from 25 mm to 35 mm.

Options for the handle axis 85 or 92 mm.

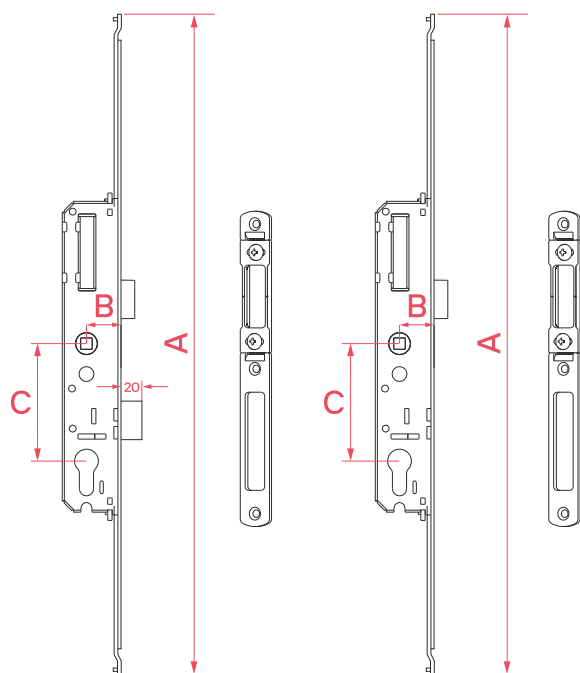
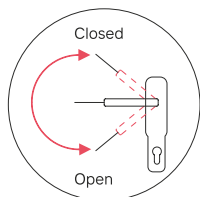
For use in doors made of aluminium profiles.





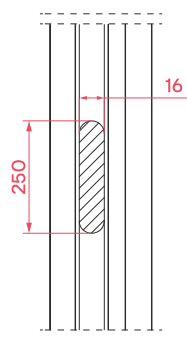
# Locks for Aluminium Doors "SIGMA"

25/85 - 25/92 - 35/85 - 35/92 - Latch / Deadbolt & Latch

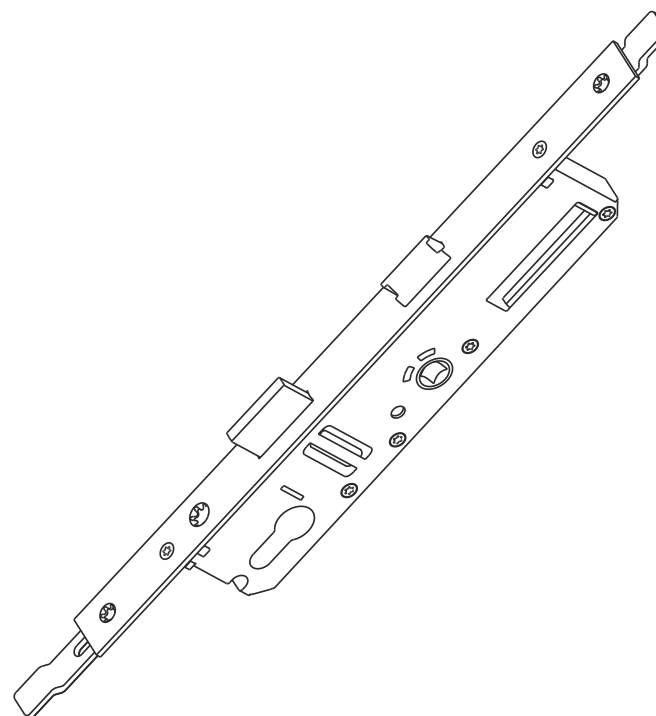


Latch & Deadbolt

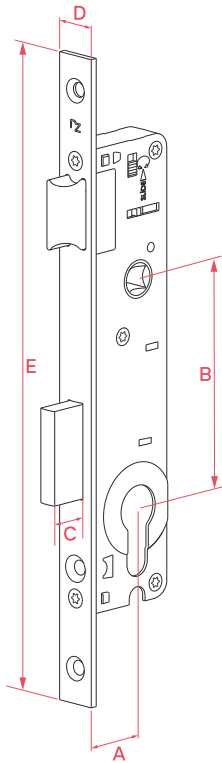
Latch



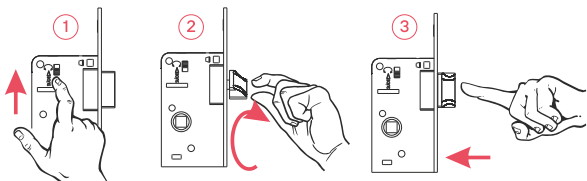
Code	Description	A (mm)	B (mm)	C (mm)	
410109	ALU Door Lock "SIGMA" 25x85x20 - 23x328 SR / D6 / (Latch & Deadbolt)	388	25	85	10
410110	ALU Door Lock "SIGMA" 25x85x20 - 23x328 / D6 / (Latch)	388	25	85	10
410129	ALU Door Lock "SIGMA" 35x85x20 - 23x328 SR / D6 / (Latch & Deadbolt)	388	35	85	10
410130	ALU Door Lock "SIGMA" 35x85x20 - 23x328 / D6 / (Latch)	388	35	85	10
410169	ALU Door Lock "SIGMA" 25x92x20 - 23x328 SR / D6 / (Latch & Deadbolt)	388	25	92	10
410170	ALU Door Lock "SIGMA" 25x92x20 - 23x328 / D6 / (Latch)	388	25	92	10
410189	ALU Door Lock "SIGMA" 35x92x20 - 23x328 SR / D6 / (Latch & Deadbolt)	388	35	92	10
410190	ALU Door Lock "SIGMA" 35x92x20 - 23x328 / D6 / (Latch)	388	35	92	10



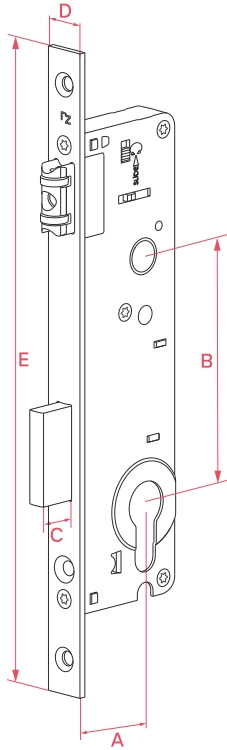
## Cylinder Door Locks With Standard Latch



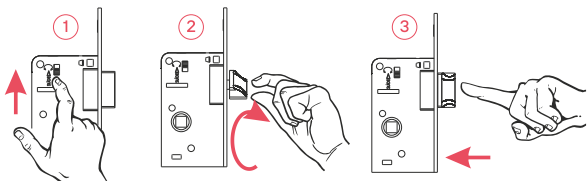
	Code	Description	A (mm)	B (mm)	C (mm)	D (mm)	E (mm)	Use	Body
Latch 15mm (distance "C")	515101	Cylinder Door Lock With Standard Latch	20	85	15	16	240	PVC	Metal
	515102	Cylinder Door Lock With Standard Latch	25	85	15	16	240	PVC	Metal
	515103	Cylinder Door Lock With Standard Latch	30	85	15	16	240	PVC	Metal
	515104	Cylinder Door Lock With Standard Latch	35	85	15	16	240	PVC	Metal
	515105	Cylinder Door Lock With Standard Latch	40	85	15	16	240	PVC	Metal
	515131	Cylinder Door Lock With Standard Latch	20	92	15	16	240	PVC	Metal
	515132	Cylinder Door Lock With Standard Latch	25	92	15	16	240	PVC	Metal
	515133	Cylinder Door Lock With Standart Latch	30	92	15	16	240	PVC	Metal
	515134	Cylinder Door Lock With Standard Latch	35	92	15	16	240	PVC	Metal
	515135	Cylinder Door Lock With Standard Latch	40	92	15	16	240	PVC	Metal
Latch 10mm (distance "C")	510102	Cylinder Door Lock With Standard Latch	25	85	10	16	240	PVC	Metal
	510104	Cylinder Door Lock With Standard Latch	35	85	10	16	240	PVC	Metal
	510132	Cylinder Door Lock With Standard Latch	25	92	10	16	240	PVC	Metal
	510134	Cylinder Door Lock With Standard Latch	35	92	10	16	240	PVC	Metal



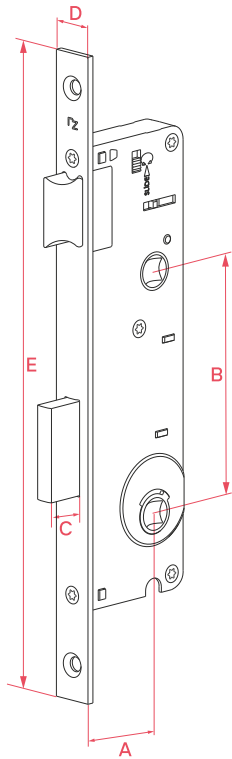
## Cylinder Door Locks With Roller Latch



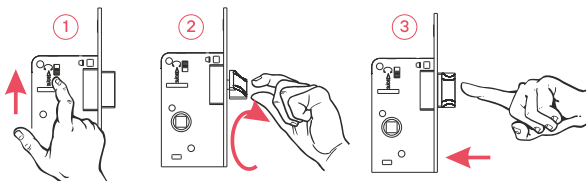
	Code	Description	A (mm)	B (mm)	C (mm)	D (mm)	E (mm)	Use	Body
Latch 15mm (distance "C")	515141	Cylinder Door Lock with Roller Latch	20	92	15	16	240	PVC	Metal
	515142	Cylinder Door Lock with Roller Latch	25	92	15	16	240	PVC	Metal
	515143	Cylinder Door Lock with Roller Latch	30	92	15	16	240	PVC	Metal
	515144	Cylinder Door Lock with Roller Latch	35	92	15	16	240	PVC	Metal
	515145	Cylinder Door Lock with Roller Latch	40	92	15	16	240	PVC	Metal
Latch 10mm	510142	Cylinder Door Lock with Roller Latch	25	92	10	16	240	PVC	Metal
	510144	Cylinder Door Lock with Roller Latch	35	92	10	16	240	PVC	Metal



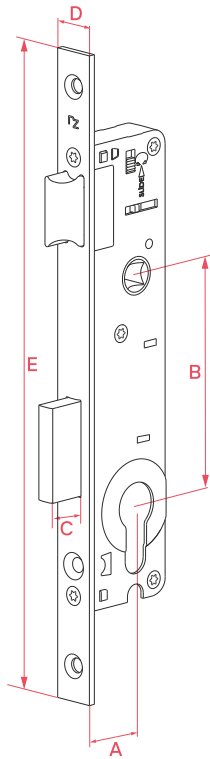
## WC Door Locks



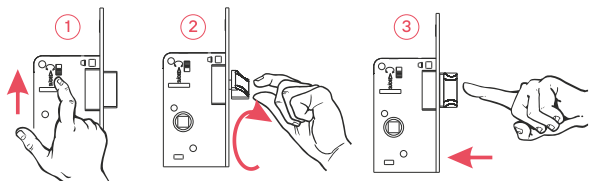
	Code	Description	A (mm)	B (mm)	C (mm)	D (mm)	E (mm)	Use	Body
Latch 15mm (distance "C")	515121	WC Door Lock	20	90	15	16	240	PVC	Metal
	515122	WC Door Lock	25	90	15	16	240	PVC	Metal
	515123	WC Door Lock	30	90	15	16	240	PVC	Metal
	515124	WC Door Lock	35	90	15	16	240	PVC	Metal
Latch 10mm	515125	WC Door Lock	40	90	15	16	240	PVC	Metal
	510122	WC Door Lock	25	90	10	16	240	PVC	Metal
	510124	WC Door Lock	35	90	10	16	240	PVC	Metal



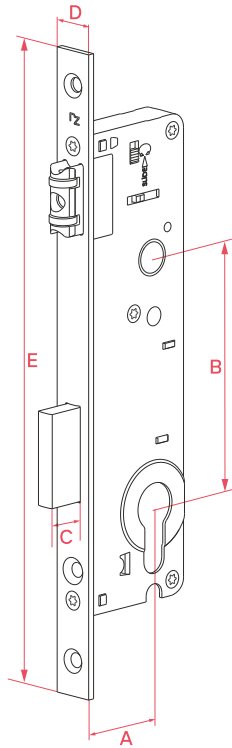
## Cylinder Door Locks With Standard Latch



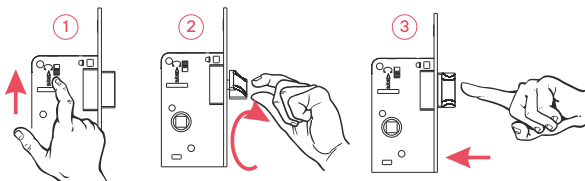
	Code	Description	A (mm)	B (mm)	C (mm)	D (mm)	E (mm)	Use	Body
Latch 15mm (distance "C")	515202	Cylinder Door Lock With Standard Latch	25	85	15	16	240	PVC	Plastic
	515204	Cylinder Door Lock With Standard Latch	35	85	15	16	240	PVC	Plastic
	515232	Cylinder Door Lock With Standard Latch	25	92	15	16	240	PVC	Plastic
	515234	Cylinder Door Lock With Standard Latch	35	92	15	16	240	PVC	Plastic
Latch 10mm (distance "C")	510202	Cylinder Door Lock With Standard Latch	25	85	10	16	240	PVC	Plastic
	510204	Cylinder Door Lock With Standard Latch	35	85	10	16	240	PVC	Plastic
	510232	Cylinder Door Lock With Standard Latch	25	92	10	16	240	PVC	Plastic
	510234	Cylinder Door Lock With Standard Latch	35	92	10	16	240	PVC	Plastic



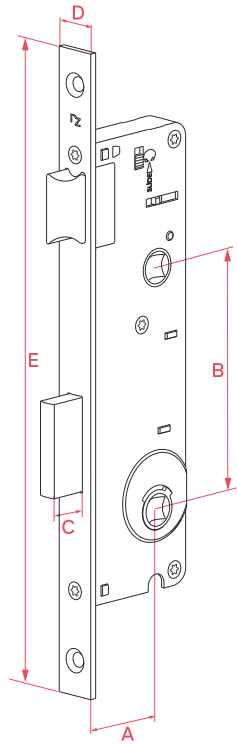
## Cylinder Door Locks With Roller Latch



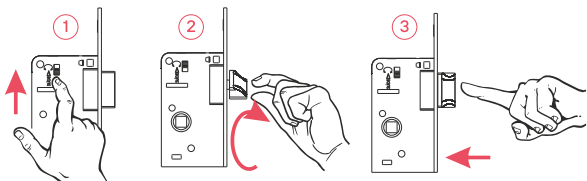
	Code	Description	A (mm)	B (mm)	C (mm)	D (mm)	E (mm)	Use	Body
Latch 15mm	515242	Cylinder Door Lock With Roller Latch	25	92	15	16	240	PVC	Plastic
	515244	Cylinder Door Lock With Roller Latch	35	92	15	16	240	PVC	Plastic
Latch 10mm	510242	Cylinder Door Lock With Roller Latch	25	92	10	16	240	PVC	Plastic
	510244	Cylinder Door Lock With Roller Latch	35	92	10	16	240	PVC	Plastic



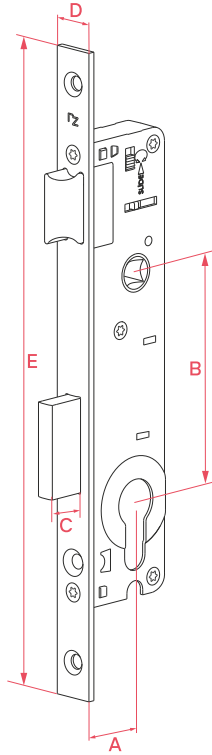
## WC Door Locks



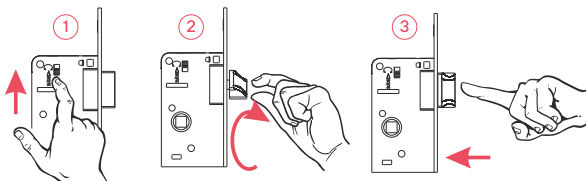
	Code	Description	A (mm)	B (mm)	C (mm)	D (mm)	E (mm)	Use	Body
Latch 15 mm	515222	WC Door Lock	25	90	15	16	240	PVC	Plastic
	515224	WC Door Lock	35	90	15	16	240	PVC	Plastic
Latch 10 mm	510222	WC Door Lock	25	90	10	16	240	PVC	Plastic
	510224	WC Door Lock	35	90	10	16	240	PVC	Plastic



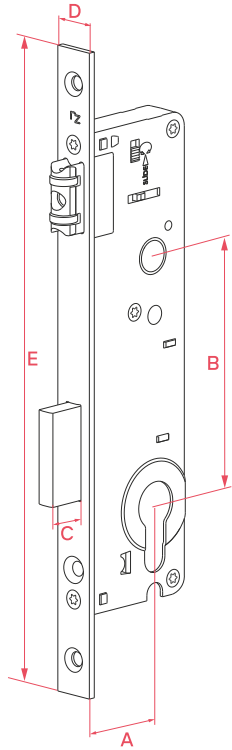
## Cylinder Door Locks With Standard Latch



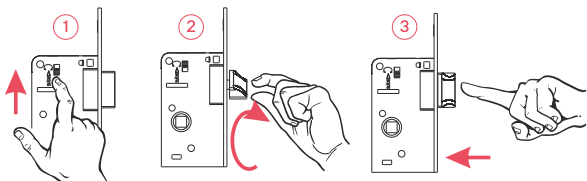
	Code	Description	A (mm)	B (mm)	C (mm)	D (mm)	E (mm)	Use	Body
Latch 15mm (distance "C")	515301	Cylinder Door Lock With Standard Latch	20	85	15	23	240	Aluminium	Metal
	515302	Cylinder Door Lock With Standard Latch	25	85	15	23	240	Aluminium	Metal
	515303	Cylinder Door Lock With Standard Latch	30	85	15	23	240	Aluminium	Metal
	515304	Cylinder Door Lock With Standard Latch	35	85	15	23	240	Aluminium	Metal
	515305	Cylinder Door Lock With Standard Latch	40	85	15	23	240	Aluminium	Metal
	515331	Cylinder Door Lock With Standard Latch	20	92	15	23	240	Aluminium	Metal
	515332	Cylinder Door Lock With Standard Latch	25	92	15	23	240	Aluminium	Metal
	515333	Cylinder Door Lock With Standart Latch	30	92	15	23	240	Aluminium	Metal
	515334	Cylinder Door Lock With Standard Latch	35	92	15	23	240	Aluminium	Metal
	515335	Cylinder Door Lock With Standard Latch	40	92	15	23	240	Aluminium	Metal
Latch 10mm (distance "C")	510302	Cylinder Door Lock With Standard Latch	25	85	10	23	240	Aluminium	Metal
	510304	Cylinder Door Lock With Standard Latch	35	85	10	23	240	Aluminium	Metal
	510332	Cylinder Door Lock With Standard Latch	25	92	10	23	240	Aluminium	Metal
	510334	Cylinder Door Lock With Standard Latch	35	92	10	23	240	Aluminium	Metal



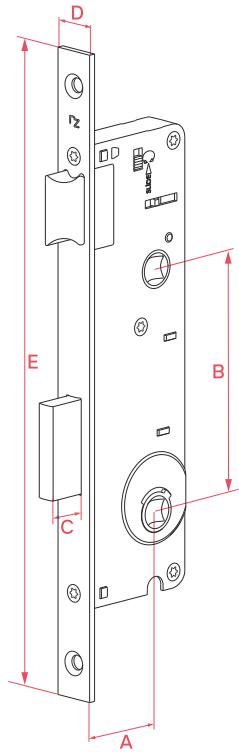
## Cylinder Door Locks With Roller Latch



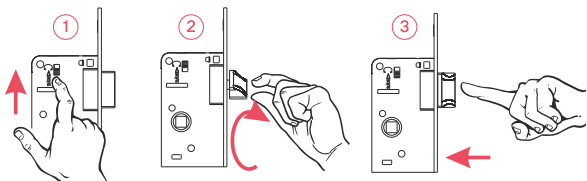
	Code	Description	A (mm)	B (mm)	C (mm)	D (mm)	E (mm)	Use	Body
Latch 15mm (distance "C")	515341	Cylinder Door Lock With Roller Latch	20	92	15	23	240	Aluminium	Metal
	515342	Cylinder Door Lock With Roller Latch	25	92	15	23	240	Aluminium	Metal
	515343	Cylinder Door Lock With Roller Latch	30	92	15	23	240	Aluminium	Metal
	515344	Cylinder Door Lock With Roller Latch	35	92	15	23	240	Aluminium	Metal
	515345	Cylinder Door Lock With Roller Latch	40	92	15	23	240	Aluminium	Metal
Latch 10mm	510342	Cylinder Door Lock With Roller Latch	25	92	10	23	240	Aluminium	Metal
	510344	Cylinder Door Lock With Roller Latch	35	92	10	23	240	Aluminium	Metal



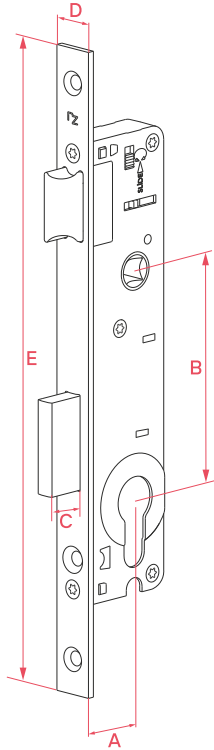
## WC Door Locks



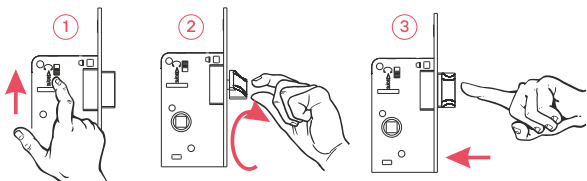
	Code	Description	A (mm)	B (mm)	C (mm)	D (mm)	E (mm)	Use	Body
Latch 15mm (distance "C")	515321	WC Door Lock	20	90	15	23	240	Aluminium	Metal
	515322	WC Door Lock	25	90	15	23	240	Aluminium	Metal
	515323	WC Door Lock	30	90	15	23	240	Aluminium	Metal
	515324	WC Door Lock	35	90	15	23	240	Aluminium	Metal
	515325	WC Door Lock	40	90	15	23	240	Aluminium	Metal
Latch 10mm	510322	WC Door Lock	25	90	10	23	240	Aluminium	Metal
	510324	WC Door Lock	35	90	10	23	240	Aluminium	Metal



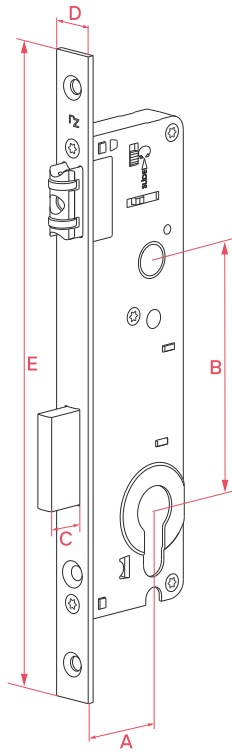
## Cylinder Door Locks With Standard Latch



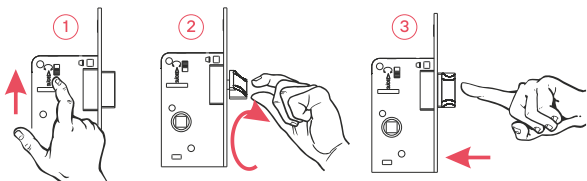
	Code	Description	A (mm)	B (mm)	C (mm)	D (mm)	E (mm)	Use	Body
Latch 15mm	515402	Cylinder Door Lock With Standard Latch	25	85	15	23	240	Aluminium	Plastic
	515404	Cylinder Door Lock With Standard Latch	35	85	15	23	240	Aluminium	Plastic
Latch 10mm	510402	Cylinder Door Lock With Standard Latch	25	85	10	23	240	Aluminium	Plastic
	510404	Cylinder Door Lock With Standard Latch	35	85	10	23	240	Aluminium	Plastic



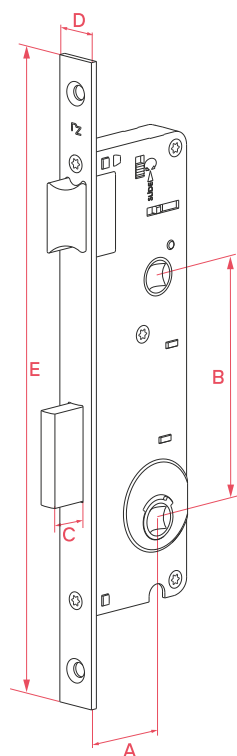
## Cylinder Door Locks With Roller Latch



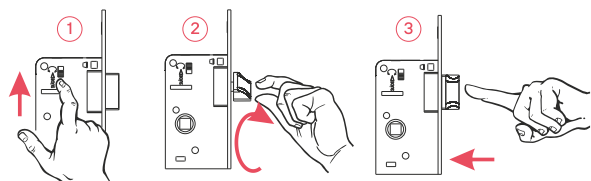
	Code	Description	A (mm)	B (mm)	C (mm)	D (mm)	E (mm)	Use	Body
Latch 15mm	515412	Cylinder Door Lock With Roller Latch	25	85	15	23	240	Aluminium	Plastic
	515414	Cylinder Door Lock With Roller Latch	35	85	15	23	240	Aluminium	Plastic
Latch 10mm	510412	Cylinder Door Lock With Roller Latch	25	85	10	23	240	Aluminium	Plastic
	510414	Cylinder Door Lock With Roller Latch	35	85	10	23	240	Aluminium	Plastic



## WC Door Locks

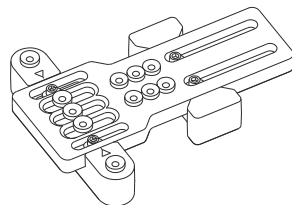
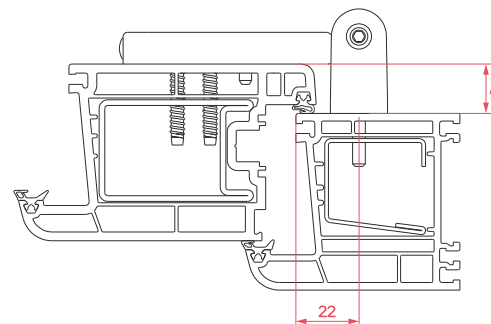
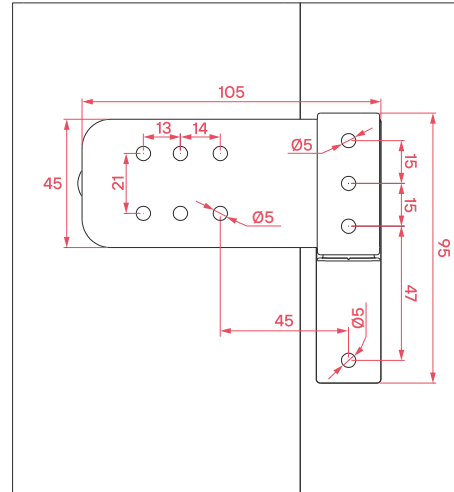
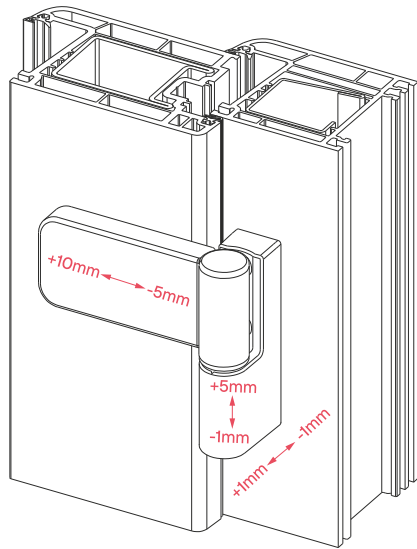


	Code	Description	A (mm)	B (mm)	C (mm)	D (mm)	E (mm)	Use	Body
Latch 15mm	515422	WC Door Lock	25	90	15	23	240	Aluminium	Plastic
	515424	WC Door Lock	35	90	15	23	240	Aluminium	Plastic
Latch 10mm	510422	WC Door Lock	25	90	10	23	240	Aluminium	Plastic
	510424	WC Door Lock	35	90	10	23	240	Aluminium	Plastic



# 3D Adjustable Door Hinge

## BABYLON / 105 mm



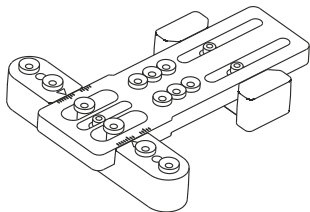
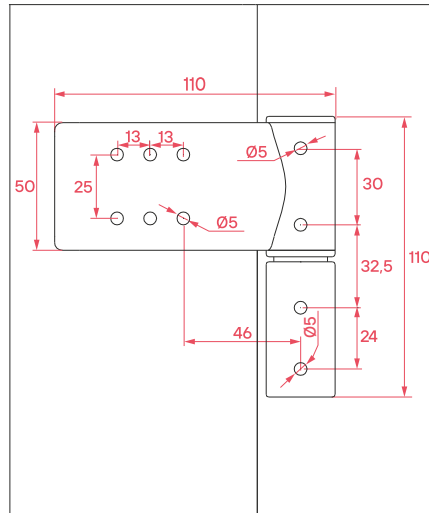
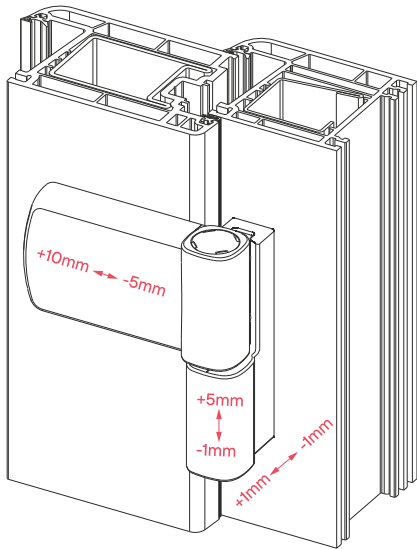
### 3D Hinge Jig "BABYLON/ALEON/FALCON"

- Product Code: 100220
- Hole Diameter : 5 mm
- Color - Red

Code	Description	A (mm)	kg	Color	Box
100201	BABYLON / 105 mm	14 mm - 18 mm	120	RAL 9016 ○	24
100204	BABYLON / 105 mm	14 mm - 18 mm	120	RAL 8022 ●	24
100202	BABYLON / 105 mm	14 mm - 18 mm	120	RAL 8003 ●	24
100203	BABYLON / 105 mm	14 mm - 18 mm	120	RAL 8017 ●	24
100205	BABYLON / 105 mm	14 mm - 18 mm	120	RAL 8019 ●	24
100206	BABYLON / 105 mm	14 mm - 18 mm	120	RAL 7016 ●	24
100207	BABYLON / 105 mm	14 mm - 18 mm	120	RAL 9005 ●	24
100211	BABYLON / 105 mm	18 mm - 22 mm	120	RAL 9016 ○	24
100214	BABYLON / 105 mm	18 mm - 22 mm	120	RAL 8022 ●	24
100212	BABYLON / 105 mm	18 mm - 22 mm	120	RAL 8003 ●	24
100213	BABYLON / 105 mm	18 mm - 22 mm	120	RAL 8017 ●	24
100215	BABYLON / 105 mm	18 mm - 22 mm	120	RAL 8019 ●	24
100216	BABYLON / 105 mm	18 mm - 22 mm	120	RAL 7016 ●	24
100217	BABYLON / 105 mm	18 mm - 22 mm	120	RAL 9005 ●	24

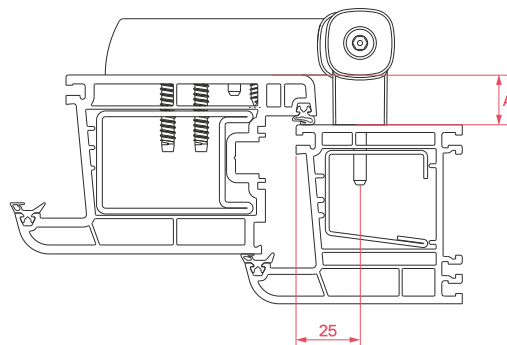
# 3D Adjustable Door Hinge

## ALPHAXL / 110 mm



### 3D Hinge Jig "ALPHAXL/AVALON"

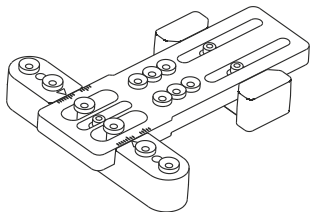
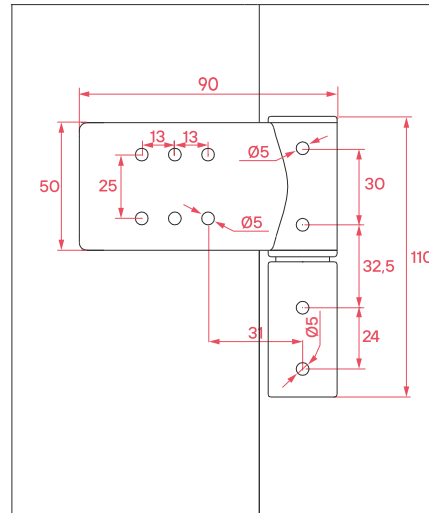
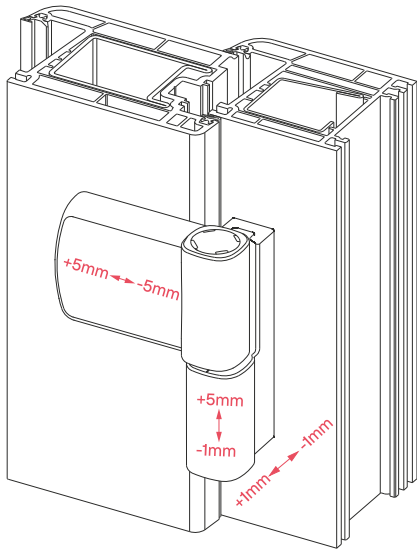
- Product Code : 100400
- Hole Diameter : 5 mm
- Color - Red



Code	Description	A (mm)	kg	Color	
100401	ALPHAXL / 110 mm	15 mm - 19 mm	120	RAL 9016	24
100402	ALPHAXL / 110 mm	15 mm - 19 mm	120	RAL 8003	24
100403	ALPHAXL / 110 mm	15 mm - 19 mm	120	RAL 8017	24
100404	ALPHAXL / 110 mm	15 mm - 19 mm	120	RAL 8022	24
100405	ALPHAXL / 110 mm	15 mm - 19 mm	120	RAL 8019	24
100406	ALPHAXL / 110 mm	15 mm - 19 mm	120	RAL 7016	24
100461	ALPHAXL / 110 mm	15 mm - 19 mm	120	RAL 9005	24
100421	ALPHAXL / 110 mm	19 mm - 23 mm	120	RAL 9016	24
100422	ALPHAXL / 110 mm	19 mm - 23 mm	120	RAL 8003	24
100423	ALPHAXL / 110 mm	19 mm - 23 mm	120	RAL 8017	24
100424	ALPHAXL / 110 mm	19 mm - 23 mm	120	RAL 8022	24
100425	ALPHAXL / 110 mm	19 mm - 23 mm	120	RAL 8019	24
100426	ALPHAXL / 110 mm	19 mm - 23 mm	120	RAL 7016	24
100441	ALPHAXL / 110 mm	23 mm - 27 mm	120	RAL 9016	24
100442	ALPHAXL / 110 mm	23 mm - 27 mm	120	RAL 8003	24
100443	ALPHAXL / 110 mm	23 mm - 27 mm	120	RAL 8017	24
100444	ALPHAXL / 110 mm	23 mm - 27 mm	120	RAL 8022	24
100445	ALPHAXL / 110 mm	23 mm - 27 mm	120	RAL 8019	24
100446	ALPHAXL / 110 mm	23 mm - 27 mm	120	RAL 7016	24

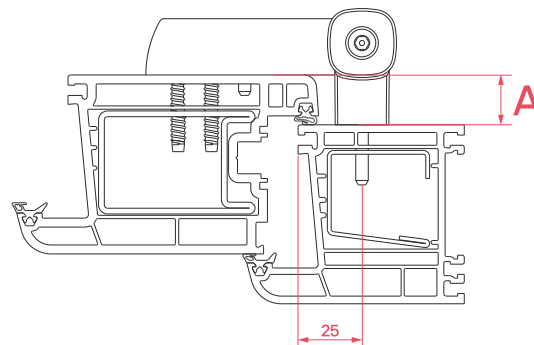
# 3D Adjustable Door Hinge

## ALPHAXL / 90 mm



3D Hinge Jig "ALPHAXL/AVALON"

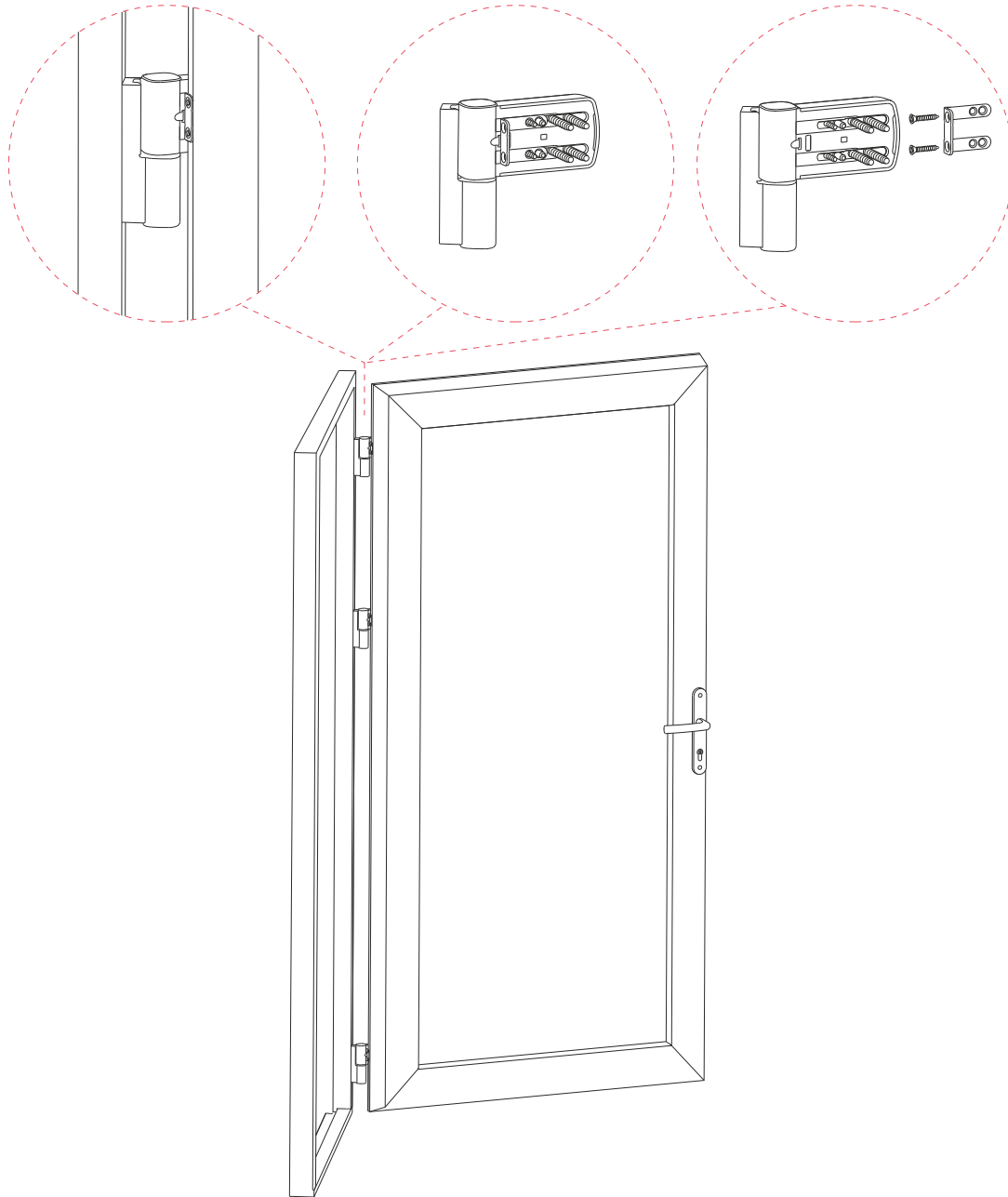
- Product Code: 100400
- Hole Diameter : 5 mm
- Color - Red








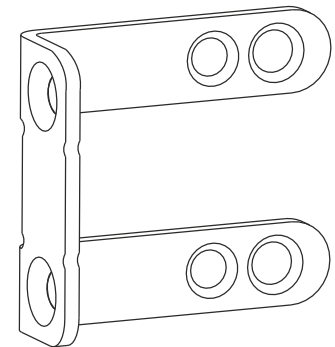
Code	Description	A (mm)	kg	Color	
100411	ALPHAXL / 90 mm	15 mm - 19 mm	120	RAL 9016	24
100412	ALPHAXL / 90 mm	15 mm - 19 mm	120	RAL 8003	24
100413	ALPHAXL / 90 mm	15 mm - 19 mm	120	RAL 8017	24
100414	ALPHAXL / 90 mm	15 mm - 19 mm	120	RAL 8022	24
100415	ALPHAXL / 90 mm	15 mm - 19 mm	120	RAL 8019	24
100416	ALPHAXL / 90 mm	15 mm - 19 mm	120	RAL 7016	24
100462	ALPHAXL / 90 mm	15 mm - 19 mm	120	RAL 9005	24
100431	ALPHAXL / 90 mm	19 mm - 23 mm	120	RAL 9016	24
100432	ALPHAXL / 90 mm	19 mm - 23 mm	120	RAL 8003	24
100433	ALPHAXL / 90 mm	19 mm - 23 mm	120	RAL 8017	24
100434	ALPHAXL / 90 mm	19 mm - 23 mm	120	RAL 8022	24
100435	ALPHAXL / 90 mm	19 mm - 23 mm	120	RAL 8019	24
100436	ALPHAXL / 90 mm	19 mm - 23 mm	120	RAL 7016	24

# Sash Support Part for Door Hinge "ALPHA XL"

\*Used only "ALPHA XL" Hinges.

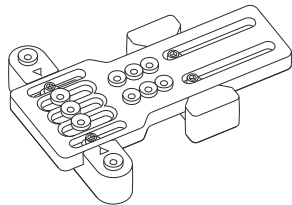
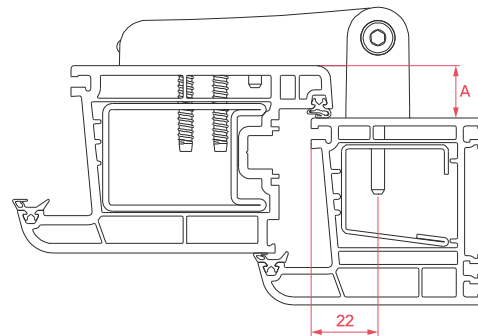
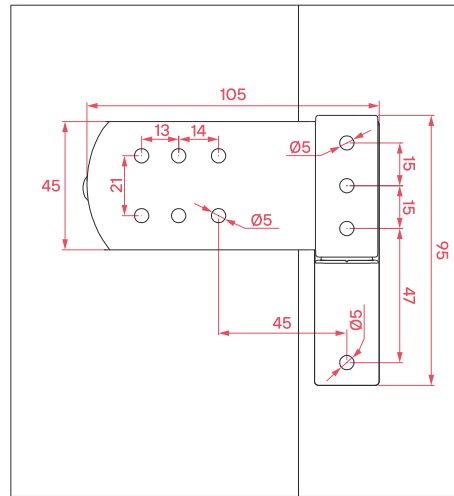
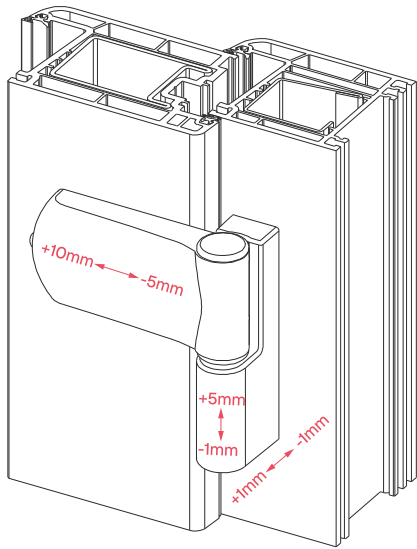


Code	Description	Renk	
100222	Sash Support Part	RAL 9016 	100
100223	Sash Support Part	RAL 8019 	100
100224	Sash Support Part	RAL 8003 	100
100225	Sash Support Part	RAL 8017 	100
100226	Sash Support Part	RAL 8022 	100
100227	Sash Support Part	RAL 7016 	100
100228	Sash Support Part	RAL 9005 	100



# 3D Adjustable Door Hinge

## ALEON / 105 mm



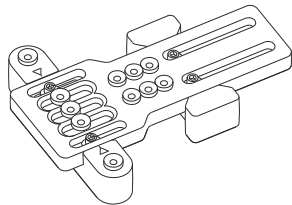
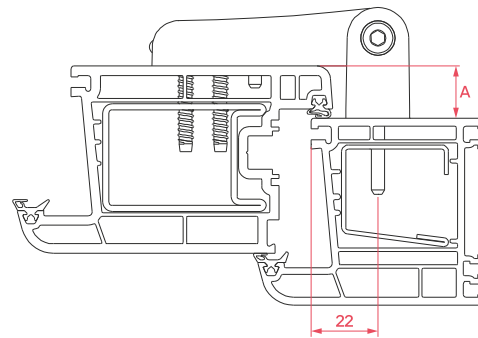
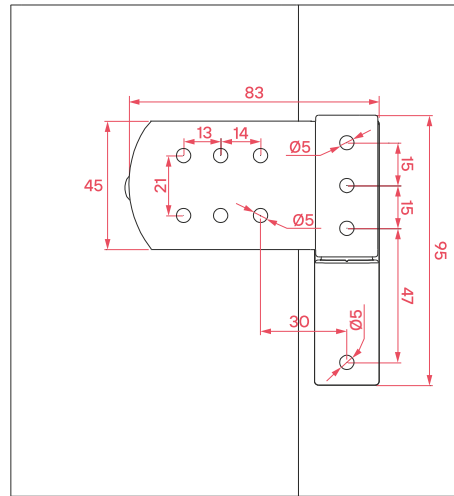
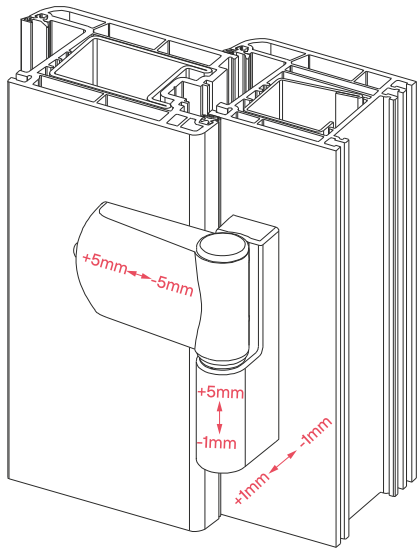
### 3D Hinge Jig "BABYLON/ALEON/FALCON"

- Product Code: 100220
- Hole Diameter : 5 mm
- Color - Red

Code	Description	A (mm)	kg	Color	
100301	ALEON / 105 mm	14 mm - 18 mm	120	RAL 9016	24
100304	ALEON / 105 mm	14 mm - 18 mm	120	RAL 8022	24
100302	ALEON / 105 mm	14 mm - 18 mm	120	RAL 8003	24
100303	ALEON / 105 mm	14 mm - 18 mm	120	RAL 8017	24
100305	ALEON / 105 mm	14 mm - 18 mm	120	RAL 8019	24
100306	ALEON / 105 mm	14 mm - 18 mm	120	RAL 7016	24
100307	ALEON / 105 mm	14 mm - 18 mm	120	RAL 9005	24
100311	ALEON / 105 mm	18 mm - 22 mm	120	RAL 9016	24
100314	ALEON / 105 mm	18 mm - 22 mm	120	RAL 8022	24
100312	ALEON / 105 mm	18 mm - 22 mm	120	RAL 8003	24
100313	ALEON / 105 mm	18 mm - 22 mm	120	RAL 8017	24
100315	ALEON / 105 mm	18 mm - 22 mm	120	RAL 8019	24
100316	ALEON / 105 mm	18 mm - 22 mm	120	RAL 7016	24
100317	ALEON / 105 mm	18 mm - 22 mm	120	RAL 9005	24

# 3D Adjustable Door Hinge

## ALEON / 83 mm



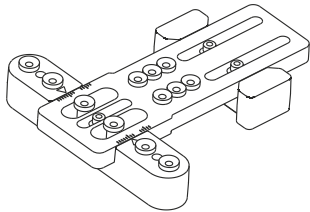
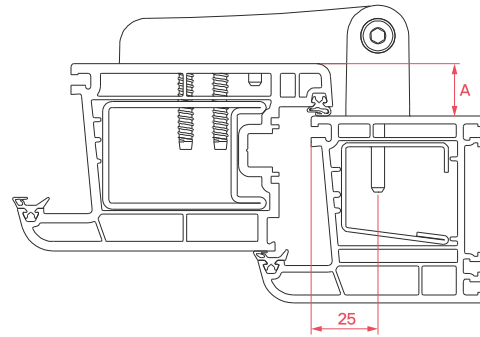
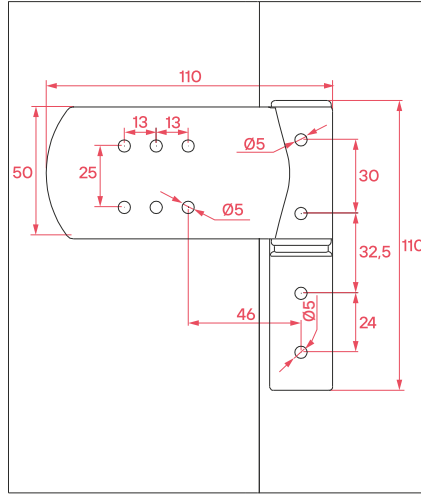
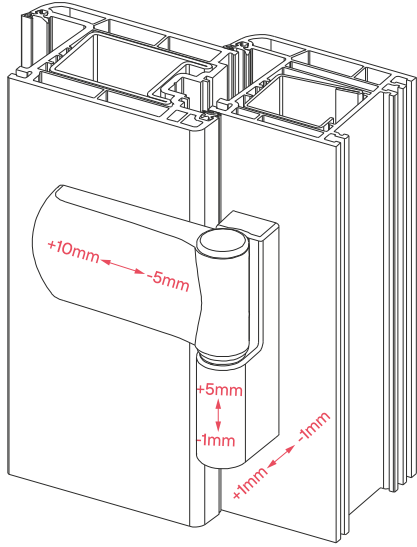
### 3D Hinge Jig "BABYLON/ALEON/FALCON"

- Product Code: 100220
- Hole Diameter : 5 mm
- Color - Red

Code	Description	A (mm)	kg	Color	Box
100321	ALEON / 83 mm	14 mm - 18 mm	80	RAL 9016 ○	24
100324	ALEON / 83 mm	14 mm - 18 mm	80	RAL 8022 ●	24
100322	ALEON / 83 mm	14 mm - 18 mm	80	RAL 8003 ●	24
100323	ALEON / 83 mm	14 mm - 18 mm	80	RAL 8017 ●	24
100325	ALEON / 83 mm	14 mm - 18 mm	80	RAL 8019 ●	24
100326	ALEON / 83 mm	14 mm - 18 mm	80	RAL 7016 ●	24
100327	ALEON / 83 mm	14 mm - 18 mm	80	RAL 9005 ●	24
100331	ALEON / 83 mm	18 mm - 22 mm	80	RAL 9016 ○	24
100334	ALEON / 83 mm	18 mm - 22 mm	80	RAL 8022 ●	24
100332	ALEON / 83 mm	18 mm - 22 mm	80	RAL 8003 ●	24
100333	ALEON / 83 mm	18 mm - 22 mm	80	RAL 8017 ●	24
100335	ALEON / 83 mm	18 mm - 22 mm	80	RAL 8019 ●	24
100336	ALEON / 83 mm	18 mm - 22 mm	80	RAL 7016 ●	24
100337	ALEON / 83 mm	18 mm - 22 mm	80	RAL 9005 ●	24

# 3D Adjustable Door Hinge

## AVALON / 110 mm



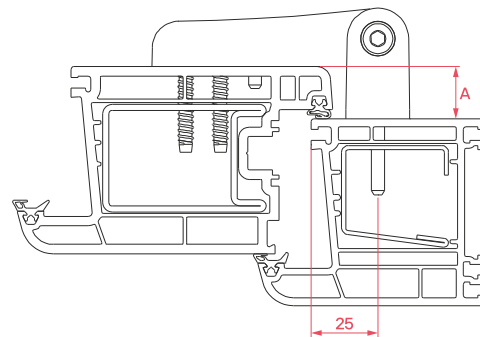
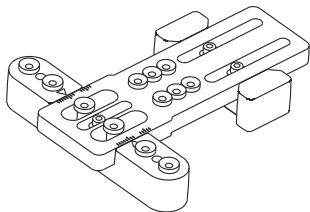
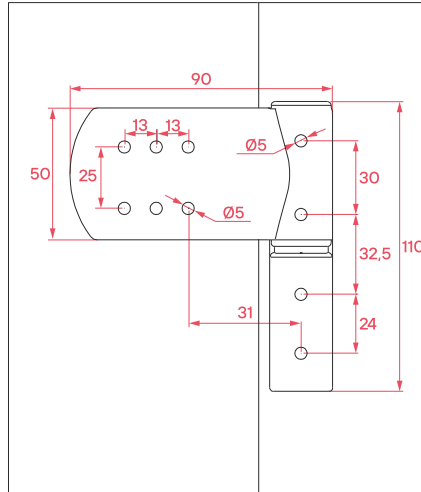
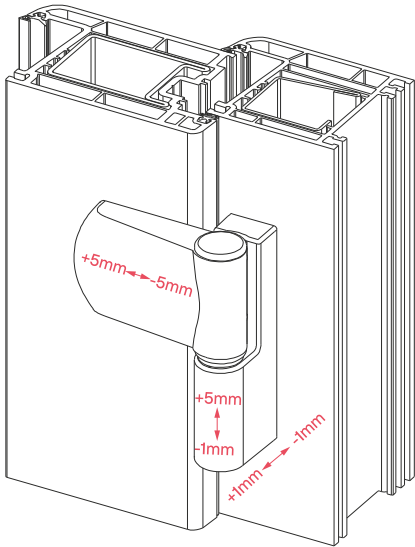
### 3D Hinge Jig "ALPHAXL/AVALON"

- Product Code: 100400
- Hole Diameter : 5 mm
- Color - Renk

Kod	Açıklama	A (mm)	kg	Renk	
100101	AVALON / 110 mm	14 mm - 18 mm	130	RAL 9016	24
100104	AVALON / 110 mm	14 mm - 18 mm	130	RAL 8022	24
100102	AVALON / 110 mm	14 mm - 18 mm	130	RAL 8003	24
100103	AVALON / 110 mm	14 mm - 18 mm	130	RAL 8017	24
100105	AVALON / 110 mm	14 mm - 18 mm	130	RAL 8019	24
100123	AVALON / 110 mm	14 mm - 18 mm	130	RAL 7016	24
100147	AVALON / 110 mm	14 mm - 18 mm	130	RAL 9005	24
100106	AVALON / 110 mm	18 mm - 22 mm	130	RAL 9016	24
100109	AVALON / 110 mm	18 mm - 22 mm	130	RAL 8022	24
100107	AVALON / 110 mm	18 mm - 22 mm	130	RAL 8003	24
100108	AVALON / 110 mm	18 mm - 22 mm	130	RAL 8017	24
100110	AVALON / 110 mm	18 mm - 22 mm	130	RAL 8019	24
100124	AVALON / 110 mm	18 mm - 22 mm	130	RAL 7016	24
100127	AVALON / 110 mm	18 mm - 22 mm	130	RAL 9005	24

# 3D Adjustable Door Hinge

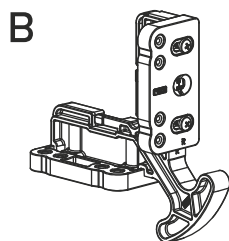
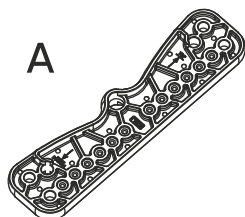
## AVALON / 90 mm



### 3D Door Hinge "ALPHAXL/AVALON"

- Product Code: 100400
- Hole Diameter : 5 mm
- Color - Red

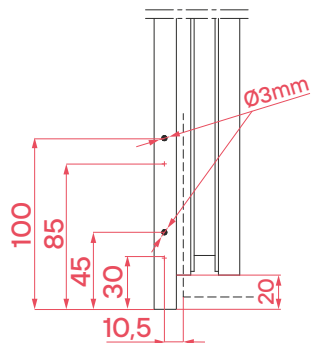
Code	Description	A (mm)	kg	Color	
100111	AVALON / 90 mm	14 mm - 18 mm	90	RAL 9016	24
100114	AVALON / 90 mm	14 mm - 18 mm	90	RAL 8022	24
100112	AVALON / 90 mm	14 mm - 18 mm	90	RAL 8003	24
100113	AVALON / 90 mm	14 mm - 18 mm	90	RAL 8017	24
100115	AVALON / 90 mm	14 mm - 18 mm	90	RAL 8019	24
100125	AVALON / 90 mm	14 mm - 18 mm	90	RAL 7016	24
100116	AVALON / 90 mm	18 mm - 22 mm	90	RAL 9016	24
100119	AVALON / 90 mm	18 mm - 22 mm	90	RAL 8022	24
100117	AVALON / 90 mm	18 mm - 22 mm	90	RAL 8003	24
100118	AVALON / 90 mm	18 mm - 22 mm	90	RAL 8017	24
100120	AVALON / 90 mm	18 mm - 22 mm	90	RAL 8019	24
100126	AVALON / 90 mm	18 mm - 22 mm	90	RAL 7016	24



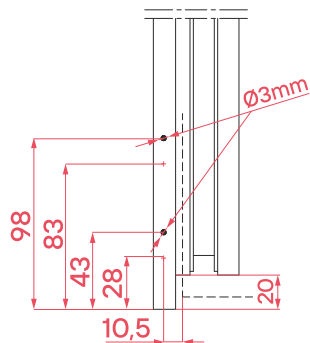
Tip	Code	Description	Axis (mm)	Hole Diameter	Color	
A	222101	Installation Jig - Frame (3 mm)	9/13	3	Red	10
A	222102	Installation Jig - Frame (6 mm)	9/13	6	Red	10
B	222103	Installation Jig - Sash (3 mm)	9/13	3	Red	10
B	222104	Installation Jig - Sash (6 mm)	9/13	6	Red	10
B	222109	Installation Jig - Adjustable Sash (3 mm)	9/13	3	Grey	10
B	222110	Installation Jig - Adjustable Sash (6 mm)	9/13	6	Grey	10
B	222115	Installation Jig - Sash (3 mm)-2mm	9/13	3	Red	10
B	222116	Installation Jig - Sash (6 mm)-2mm	9/13	6	Red	10
B	222117	Installation Jig - Adjustable Sash (3 mm)-2mm	9/13	3	Grey	10
B	222118	Installation Jig - Adjustable Sash (6 mm)-2mm	9/13	6	Grey	10

\*There is a explanation about the use of (Type B) Jigs on the next page

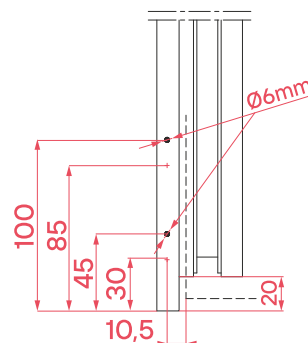
## Sash Hinge Bottom - Non Adjustable



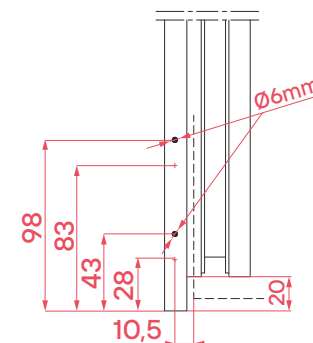
STANDARD  
Product code 222103  
Axis 9/13 mm; RIGHT / LEFT  
Drilling diameter 3mm  
Color-Red



WITH AN OFFSET (2 mm)\*  
Product code 222115  
Axis 9/13 mm; RIGHT / LEFT  
Drilling diameter 3 mm  
Color-Red

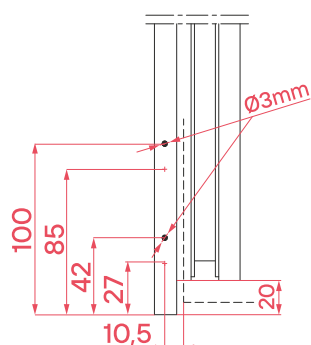


STANDARD  
Product code 222104  
Axis 9/13 mm; RIGHT / LEFT  
Drilling diameter 6 mm  
Color-Red

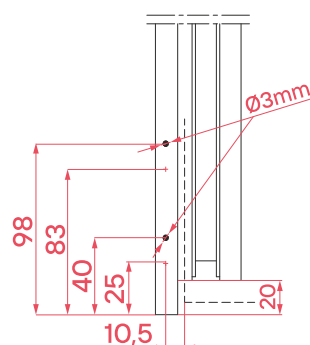


WITH AN OFFSET (2 mm)\*  
Product code 222116  
Axis 9/13 mm; RIGHT / LEFT  
Drilling diameter 6 mm  
Color-Red

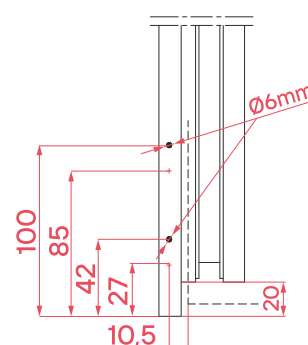
## Sash Hinge Bottom - Adjustable



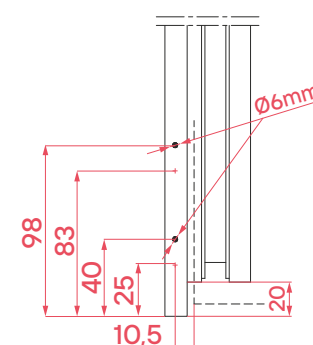
STANDARD  
Product code 222109  
Axis 9/13 mm; RIGHT / LEFT  
Drilling diameter 3 mm  
Color - Grey



WITH AN OFFSET (2 mm)\*  
Product code 222117  
Axis 9/13 mm; RIGHT / LEFT  
Drilling diameter 3 mm  
Color - Grey

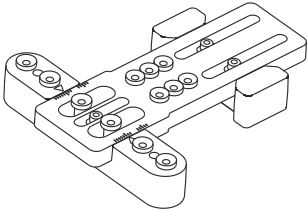



STANDARD  
Product code 222110  
Axis 9/13 mm; RIGHT / LEFT  
Drilling diameter 6 mm  
Color - Grey



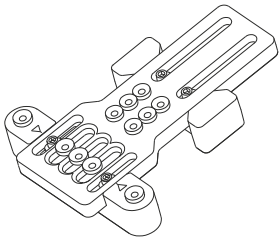
WITH AN OFFSET (2 mm)\*  
Product code 222118  
Axis 9/13 mm; RIGHT / LEFT  
Drilling diameter 6 mm  
Color - Grey

A

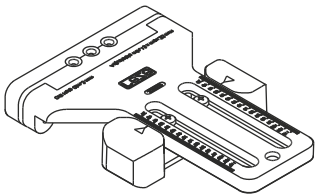


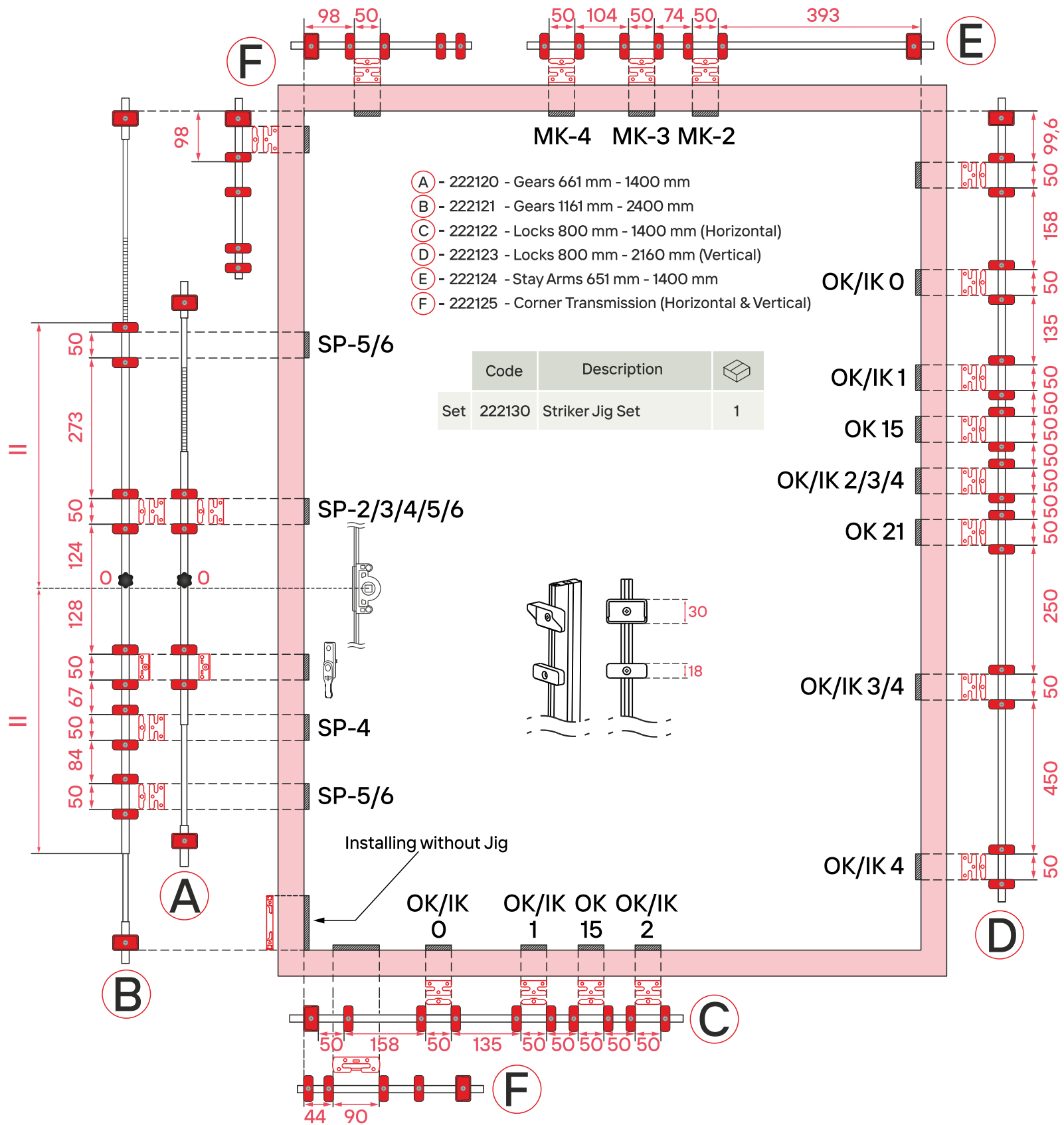
	Code	Description	Axis (mm)	Hole Diameter	Color	
A	100400	Jigs for Universal 3D Door Hinges "ALPHA XL/AVALON"	-	5	Red	10
B	100220	Jigs for Universal 3D Door Hinges "BABYLON/ALEON/FALCON"	-	5	Red	10
C	300020	Jigs for Turn Hinges "ART"	-	3	Red	10

B

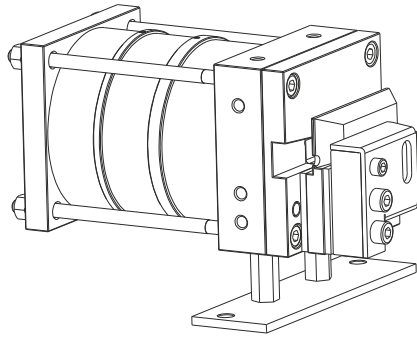



C

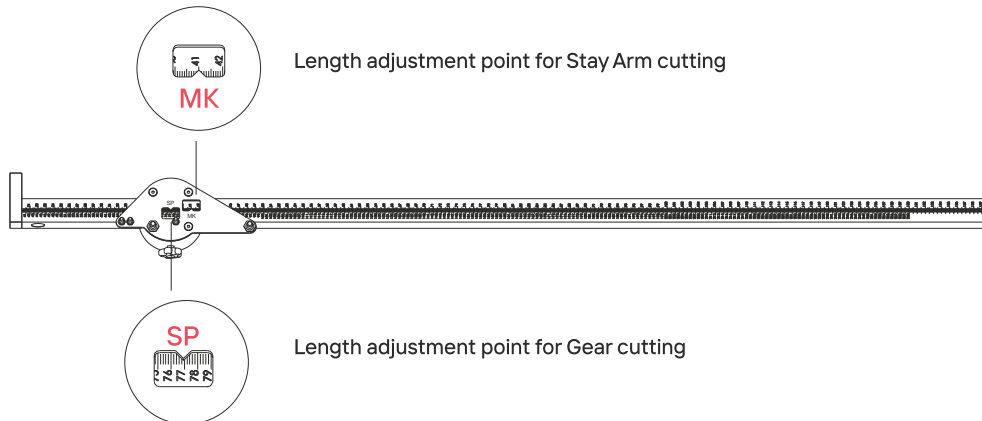




# Pneumatic Cutting Press



Code	Description	
230103	Pneumatic Cutting Press	1

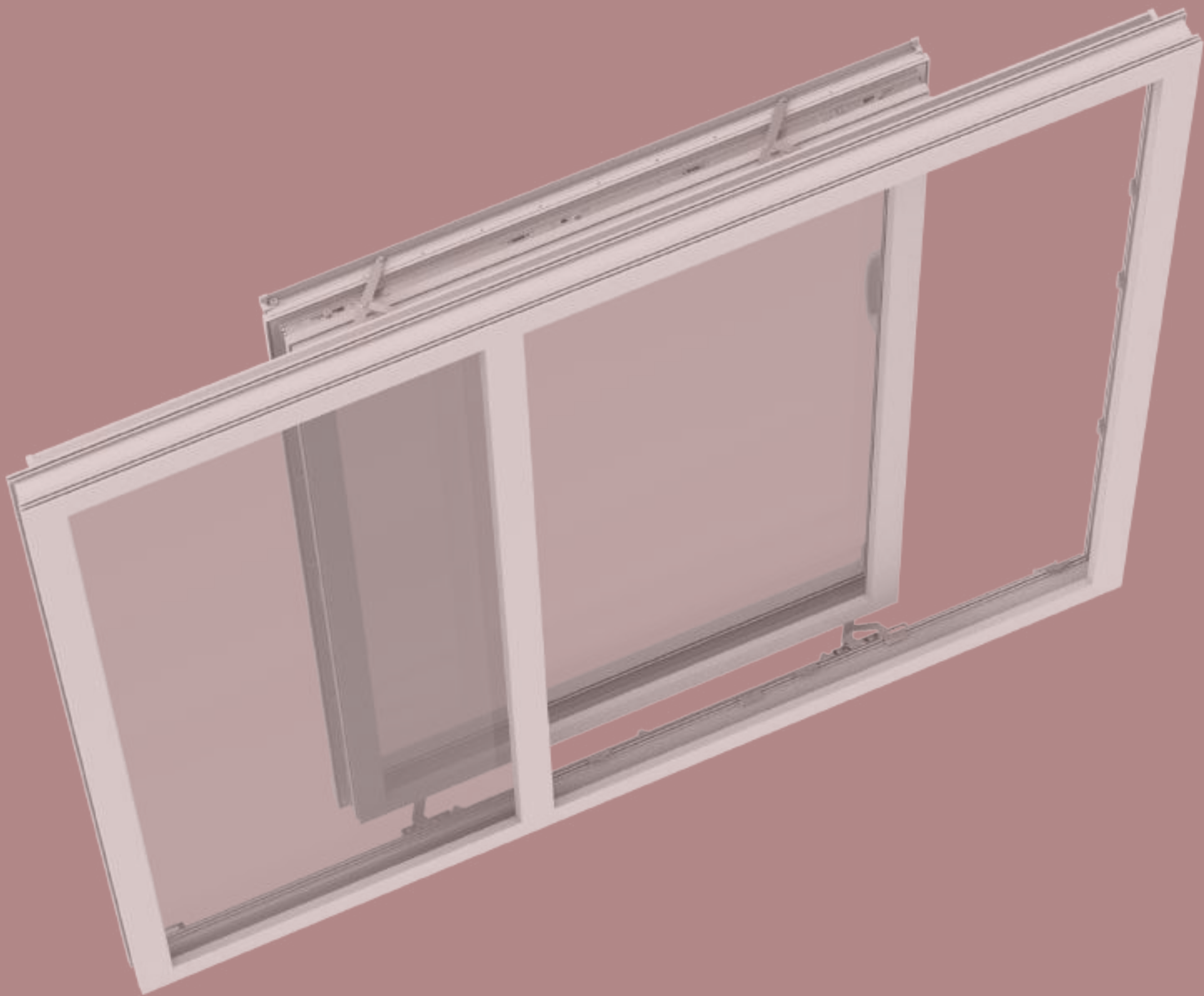


Complete set:

- 1) Pneumatic piston with a cutting nozzle
- 2) Ruler
- 3) Pneumatic Pedal
- 4) Hose Set
- 5) Installation instructions

Note : Required air pressure - 6 BAR.

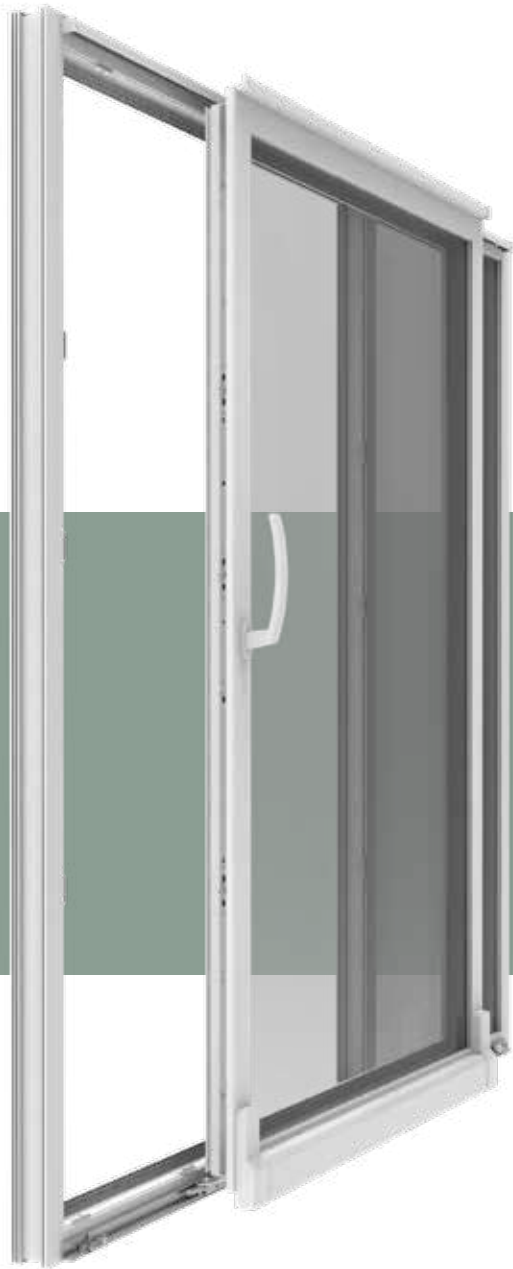




A close-up, low-angle shot of a white sliding window mechanism. The image shows the handle on the left, the track, and the internal rollers and guides. The background is a solid, muted red color. The text "Sliding Systems" is overlaid on the left side of the image.

# Sliding Systems

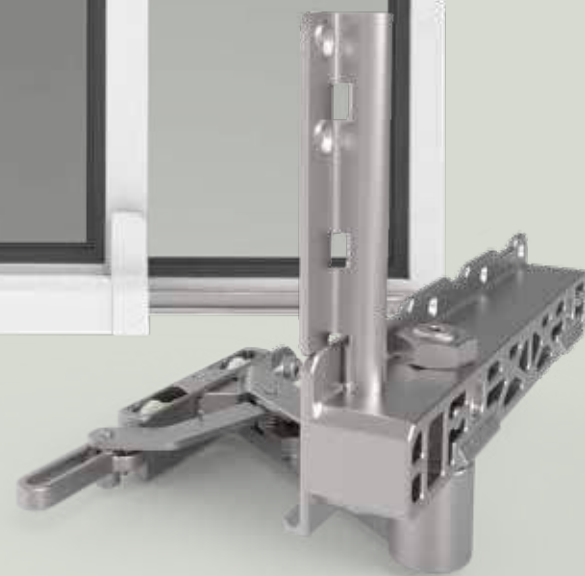
## Parallel Tilt & Slide System



Parallel Tilt & Slide System is made for single sash and double sash structures.

The high quality of components and assembly ensures long and reliable operation.



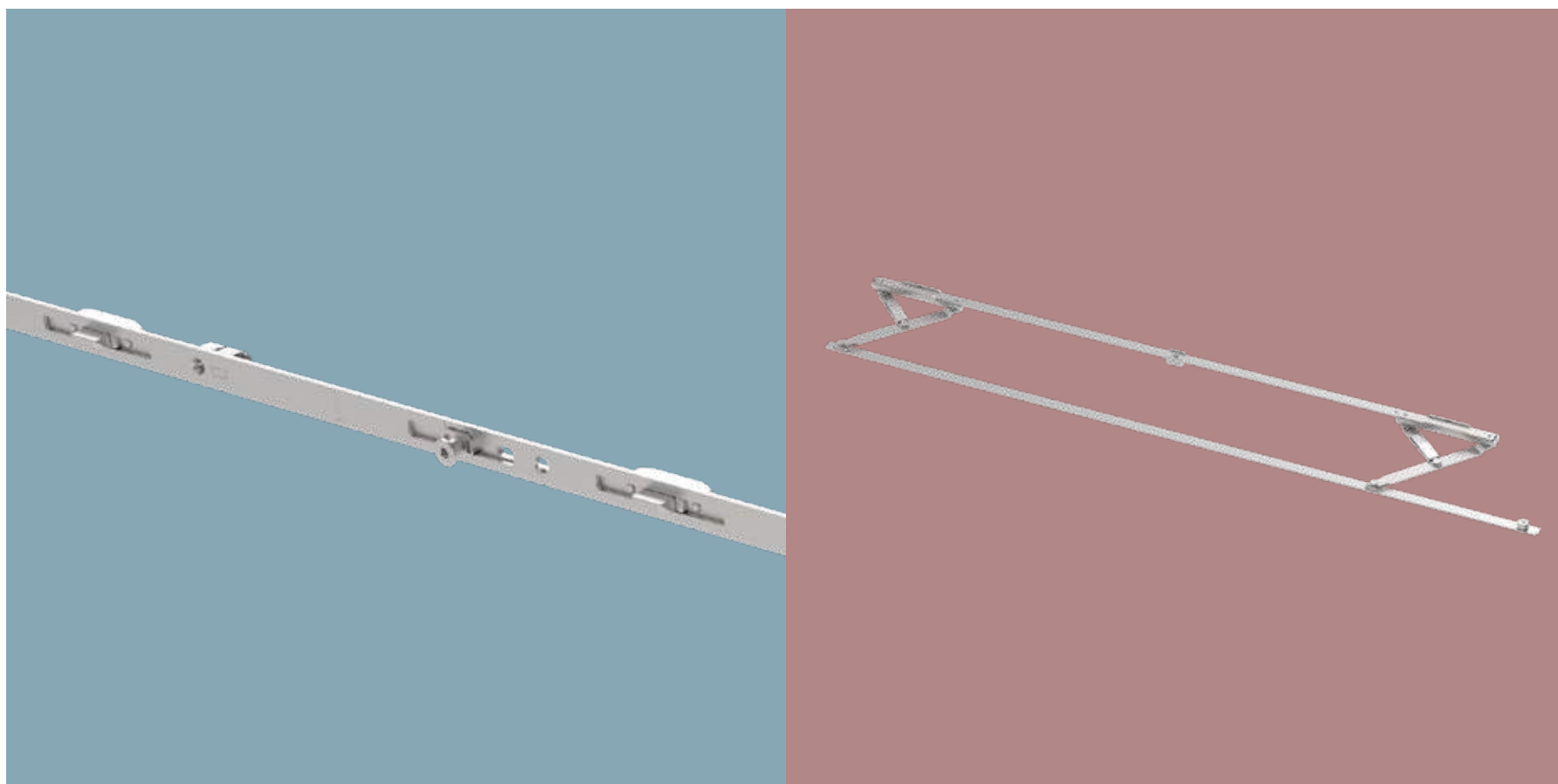


## Parallel Tilt & Slide System

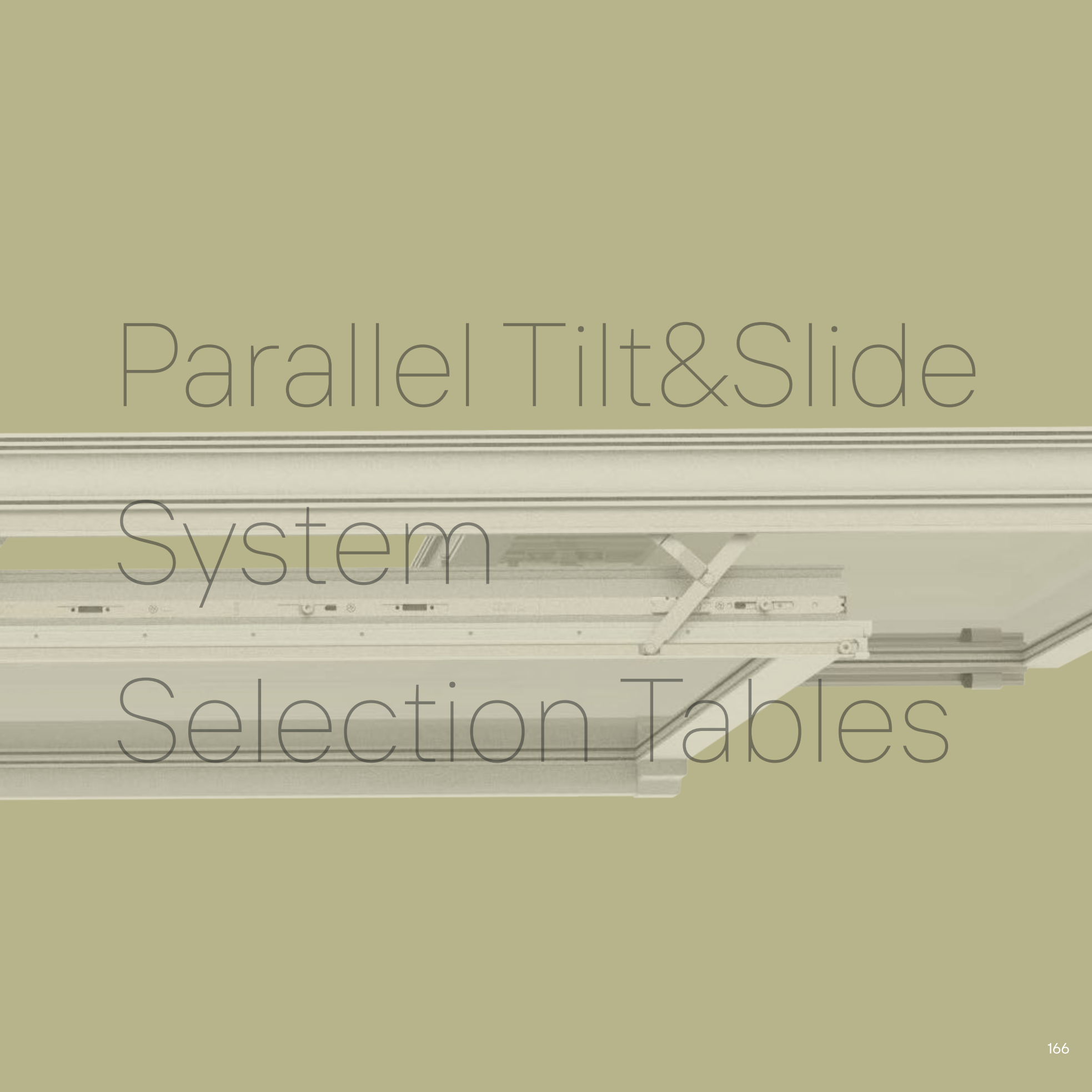
The opening and tilt mechanism works comfortably and conveniently.

There is a wide range of accessories for sashes of different sizes.



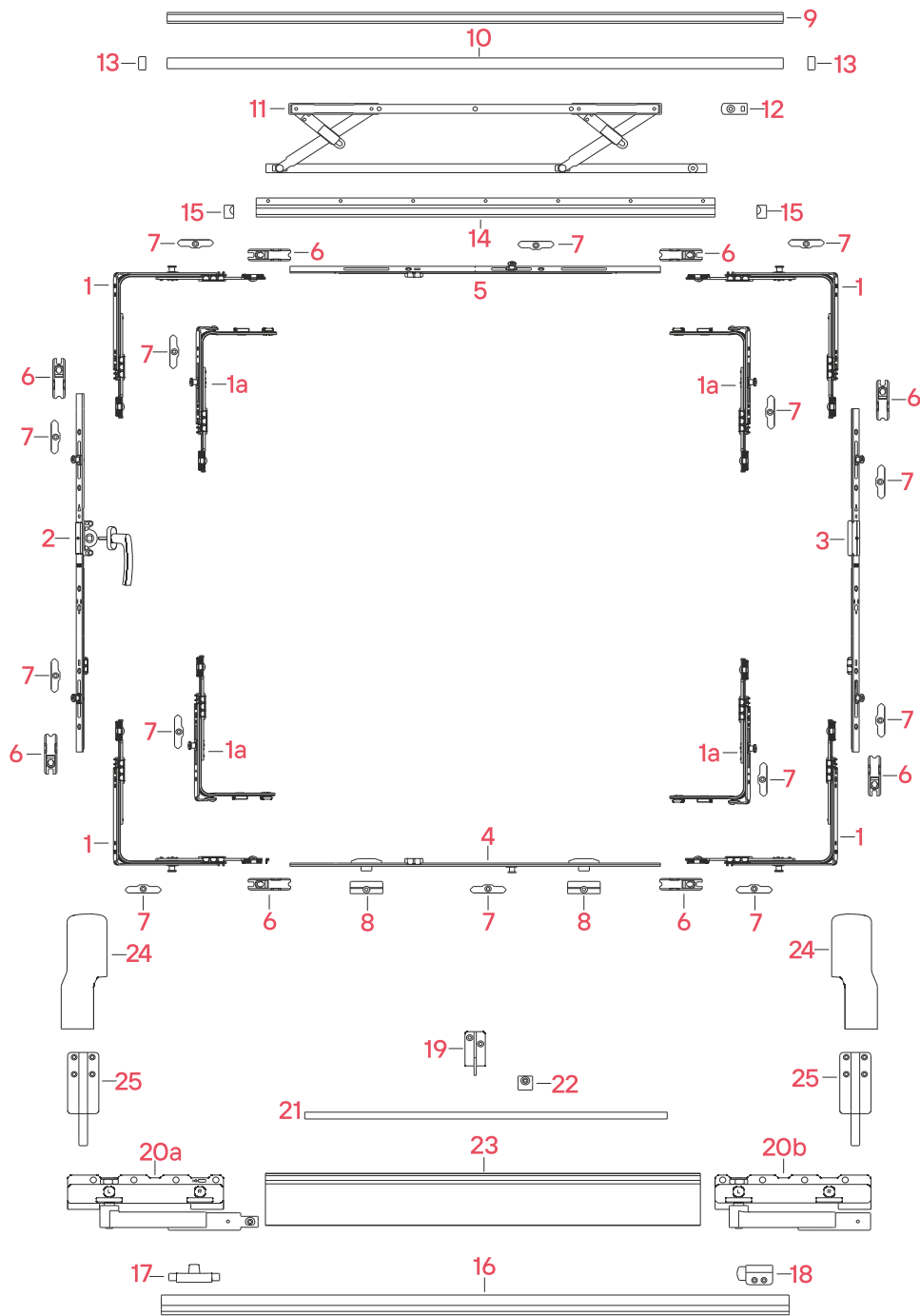




A detailed close-up photograph of a window's internal mechanism, specifically a parallel tilt and slide system. The image shows the complex arrangement of metal tracks, rollers, and a central tilting arm that allows the window pane to tilt and slide simultaneously. The background is a solid, muted olive-green color.

# Parallel Tilt&Slide System Selection Tables

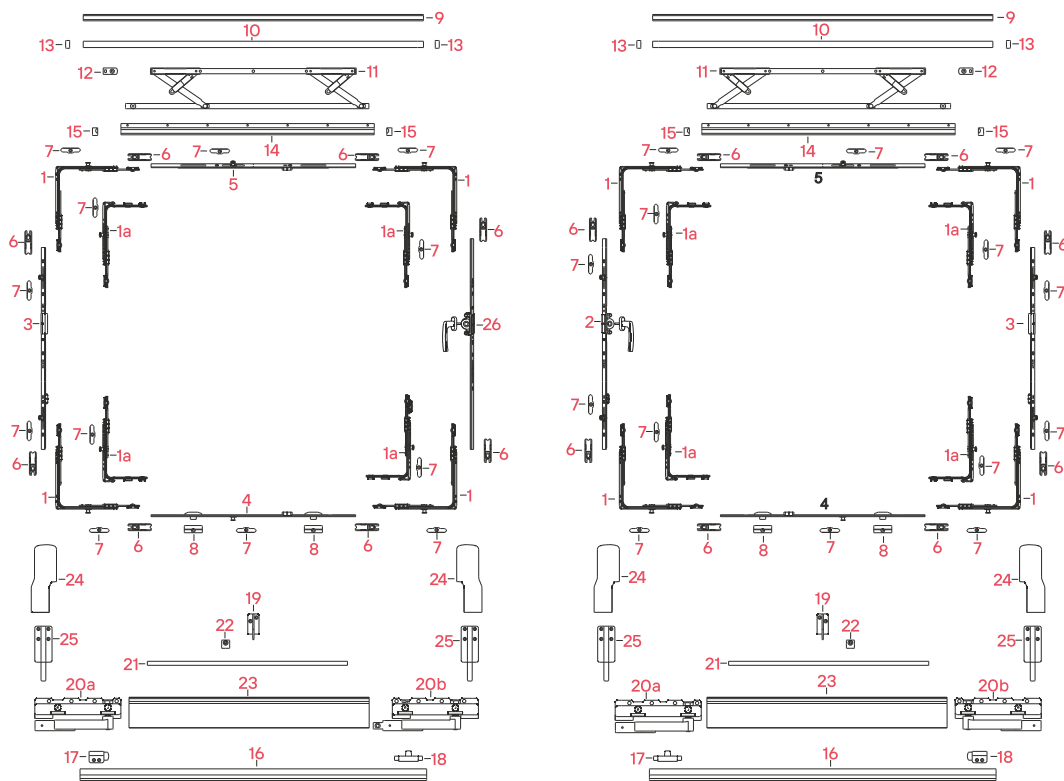
# Single Sash Parallel Tilt & Slide System



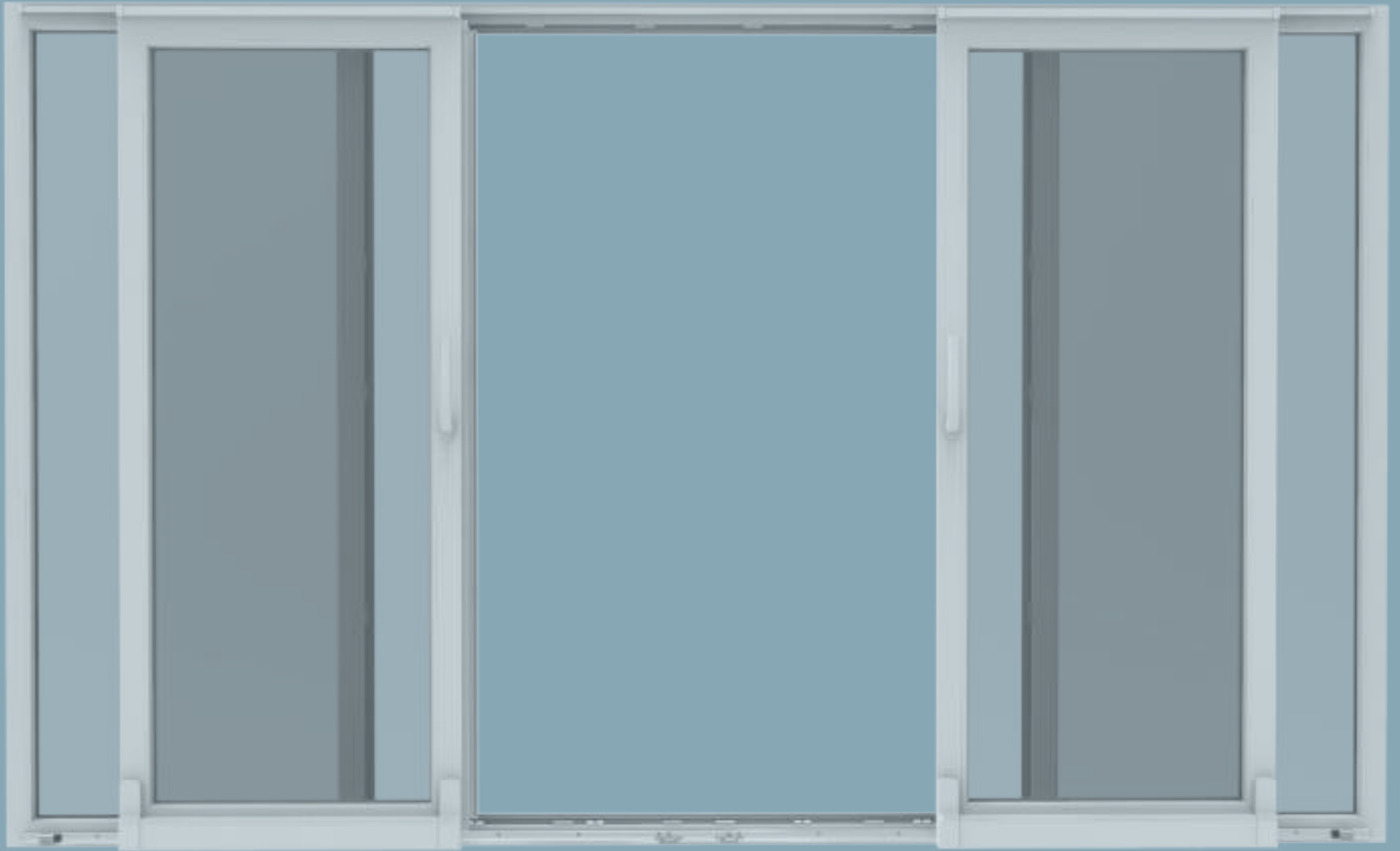
1	Corner Transmission	57-63
1a	Corner Transmission Short	64-65
2	Tilt & Turn Gear	40-41
3	Vertical Middle Lock	174
4	Horizontal Middle Lock With Latches	175
5	Horizontal Middle Lock Top	176
6	Corner Transmission Connecting Parts	56
7	Strikers	90-91
8	Tilt Strikers	178
9	Top Rail	172-173
10	Top Rail Cover	172-173
11	Sliding Stay Arm	172-173
12	Top Stopper	171
13	Side Cap of Top Rail	172-173
14	Sliding Stay Arm Guiding Rail	172-173
15	Cap of Sliding Stay Arm Guiding Rail	172-173
16	Bottom Rail	172-173
17	Stopper of Controllable Bogie	171
18	Bottom Stoper	171
19	Cover Support	171
20a	Controllable Bogie	171
20b	Non-Controllable Bogie	171
21	Connection Rod	172-173
22	Connection Rod Support	171
23	Cover Profile	172-173
24	Bogie Covers	172-173
25	Bogie Support	171

# Double Sash Parallel Tilt & Slide System

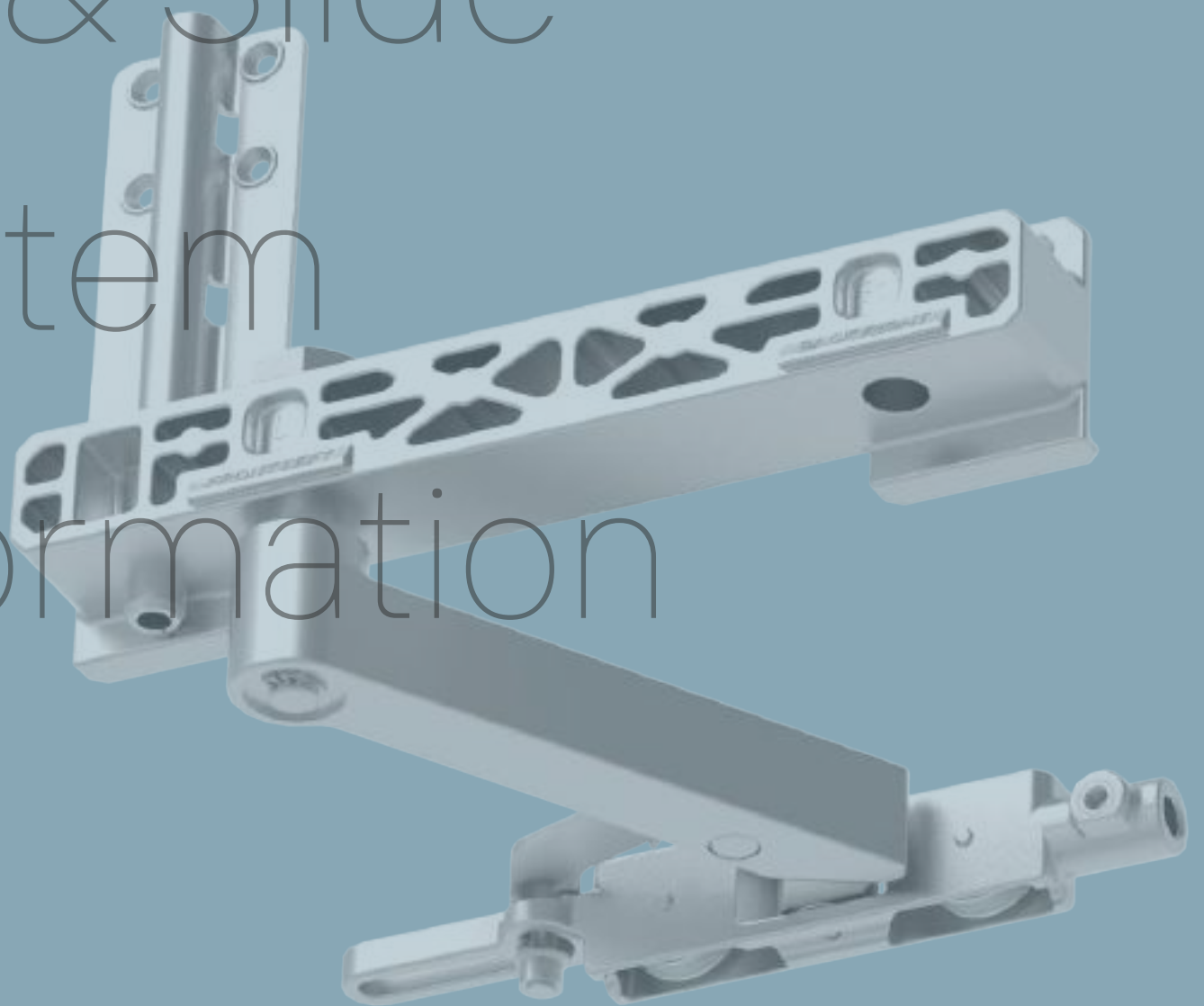
Page



1	Corner Transmission	57-63
1a	Corner Transmission Short	64-65
2	Tilt & Turn Gear	40-41
3	Vertical Middle Lock	174
4	Horizontal Middle Lock With Latches	175
5	Horizontal Middle Lock Top	176
6	Corner Transmission Connecting Parts	56
7	Strikers	90-91
8	Tilt Strikers	178
9	Top Rail	172-173
10	Top Rail Cover	172-173
11	Sliding Stay Arm	172-173
12	Top Stopper	171
13	Side Cap of Top Rail	172-173
14	Sliding Stay Arm Guiding Rail	172-173
15	Cap of Sliding Stay Arm Guiding Rail	172-173
16	Bottom Rail	172-173
17	Stopper of Controllable Bogie	171
18	Bottom Stopper	171
19	Cover Support	171
20a	Controllable Bogie	171
20b	Non-Controllable Bogie	171
21	Connection Rod	172-173
22	Connection Rod Support	171
23	Cover Profile	172-173
24	Bogie Covers	172-173
25	Bogie Support	171
26	Gear Without Pins	177



Parallel  
Tilt & Slide  
System  
Information



## Application & Content

Code	Description		No in Table	Part Name	Quantity
600101	Bogie Set Right	Set 1A	12	Top Stopper	1
			17	Stopper of Controllable Bogie	1
			18	Bottom Stopper	1
			19	Cover Support	1
			22	Connection Rod Support	1
			25	Bogie Support	2
			20a	Controllable Bogie Right	1
			20b	Non-Controllable Bogie Right	1
				Top Rail Jig	1
				Bottom Rail Jig	1
600102	Bogie Set Left	Set 1B	12	Top Stopper	1
			17	Stopper of Controllable Bogie	1
			18	Bottom Stopper	1
			19	Cover Support	1
			22	Connection Rod Support	1
			25	Bogie Support	2
			20a	Controllable Bogie Right	1
			20b	Non-Controllable Bogie Right	1
				Top Rail Jig	1
				Bottom Rail Jig	1

# Parallel Tilt & Slide System

## Application & Content

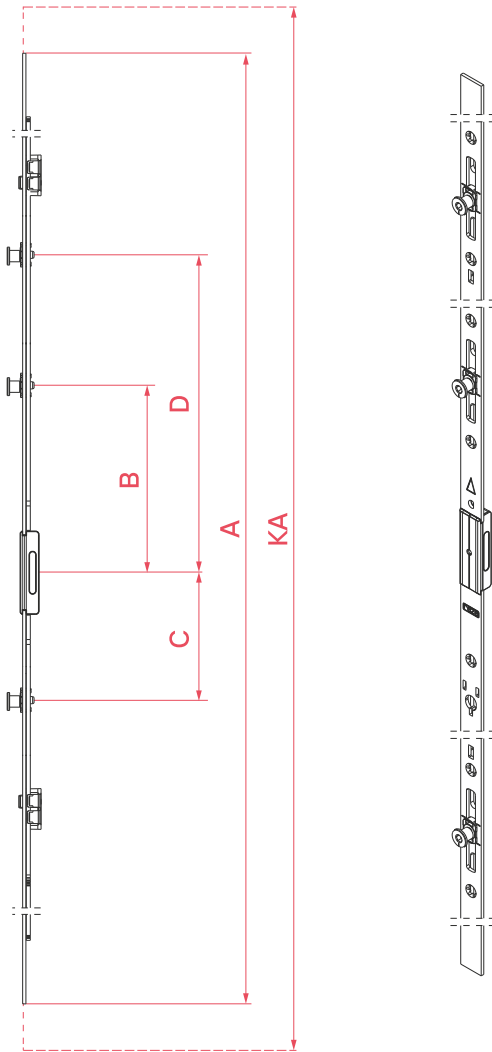
Code	Color		Description	No in Table	Item Code	Item Description	Quantity
600111	RAL 9016 ○	Rail 2000	2000mm Rail 600/850 mm Rail Stay Arm Set	9	6007XX*	Top Rail / 2000mm (600708* - Grey Anodized Aluminium (for RAL 9016 and SILVER)) (600724* - Brown Anodized Aluminium (for RAL 8022 and RAL 9005))	1
				10	6003XX*	Top Rail Cover / 2000mm / (600304* - RAL 9016); (600339* - RAL8022); (600351* - SILVER)	1
				11	600225	Sliding Stay Arm / 600-850mm	1
13*	6002XX*			Side Cap of Top Rail / (600231 - RAL 9016) (600234 - RAL 8022); (600237 - SILVER); (600241 - RAL 9005)	2* In the Set*		
14	60X7XX*			Sliding Stay Arm Guiding Rail / 97cm / Aluminium / (600719 - RAL 9016) (600751 - RAL 8022); (600775 - SILVER); (601707 - RAL 9005)	1		
15*	6002XX*			Cap of Sliding Stay Arm Guiding Rail Right / (600231 - RAL 9016) (600234 - RAL 8022); (600237 - SILVER); (600241 - RAL 9005)	1* In the Set*		
15*	6002XX*			Cap of Sliding Stay Arm Guiding Rail Left / (600231 - RAL 9016) (600234 - RAL 8022); (600237 - SILVER); (600241 - RAL 9005)	1* In the Set*		
16	6007XX*			Bottom Rail / 2000mm (600707* - Grey Anodized Aluminium (for RAL 9016 and SILVER)) (600723* - Brown Anodized Aluminium (for RAL 8022 and RAL 9005))	1		
21	600513			Connection Rod / 65cm	1		
23	60X7XX			Cover Profile / 87cm / Aluminium / (600715 - RAL 9016) (600747 - RAL 8022); (600771 - SILVER); (601703 - RAL 9005)	1		
600121	RAL 9005 ●	24*	6002XX*	Bogie Cover Right / (600231 - RAL 9016) (600234 - RAL 8022); (600237 - SILVER); (600241 - RAL 9005)	1* In the Set*		
		24*	6002XX*	Bogie Cover Left / (600231 - RAL 9016) (600234 - RAL 8022); (600237 - SILVER); (600241 - RAL 9005)	1* In the Set*		
600131	RAL 9016 ○	Rail 2400	2400mm Rail 850/1100 mm Rail Stay Arm Set	9	6007XX*	Top Rail / 2400mm (600710* - Grey Anodized Aluminium (for RAL 9016 and SILVER)) (600724* - Brown Anodized Aluminium (for RAL 8022 and RAL 9005))	1
				10	6003XX*	Top Rail Cover / 2400mm (600305* - RAL 9016); (600340* - RAL8022); (600352* - SILVER)	1
				11	600226	Sliding Stay Arm / 850-1100mm	1
13*	6002XX*			Side Cap of Top Rail / (600231 - RAL 9016) (600234 - RAL 8022); (600237 - SILVER); (600241 - RAL 9005)	2* In the Set*		
14	60X7XX*			Sliding Stay Arm Guiding Rail / 117cm / Aluminium / (600720 - RAL 9016) (600752 - RAL 8022); (600776 - SILVER); (601708 - RAL 9005)	1		
15*	6002XX*			Cap of Sliding Stay Arm Guiding Rail Right / (600231 - RAL 9016) (600234 - RAL 8022); (600237 - SILVER); (600241 - RAL 9005)	1* In the Set*		
15*	6002XX*			Cap of Sliding Stay Arm Guiding Rail Left / (600231 - RAL 9016) (600234 - RAL 8022); (600237 - SILVER); (600241 - RAL 9005)	1* In the Set*		
16	600709			Bottom Rail / 2400mm (600709* - Grey Anodized Aluminium (for RAL 9016 and SILVER)) (600725* - Brown Anodized Aluminium (for RAL 8022 and RAL 9005))	1		
21	600514			Connection Rod / 85cm	1		
23	60X7XX			Cover Profile / 107cm / Aluminium / (600716 - RAL 9016) (600748 - RAL 8022); (600772 - SILVER); (601704 - RAL 9005)	1		
600141	RAL 9005 ●	24*	6002XX*	Bogie Cover Right / (600231 - RAL 9016) (600234 - RAL 8022); (600237 - SILVER); (600241 - RAL 9005)	1* In the Set*		
		24*	6002XX*	Bogie Cover Left / (600231 - RAL 9016) (600234 - RAL 8022); (600237 - SILVER); (600241 - RAL 9005)	1* In the Set*		



# Parallel Tilt & Slide System

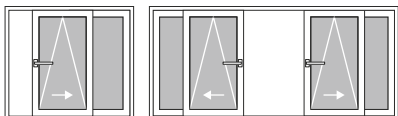
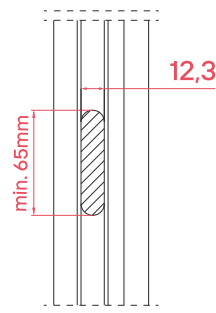
## Application & Content

Code	Color		Description	No in Table	Item Code	Item Description	Quantity
600151	RAL 9016 ○	Rail 2860	2860mm Rail 1100/1350 mm Rail Stay Arm Set	9	6007XX*	Top Rail / 2860mm (600712* - Grey Anodized Aluminium (for RAL 9016 and SILVER)) (600728* - Brown Anodized Aluminium (for RAL 8022 and RAL 9005))	1
				10	6003XX*	Top Rail Cover / 2860mm (600306* - RAL 9016); (600341* - RAL8022); (600353* - SILVER)	1
				11	600227	Sliding Stay Arm / 1100-1600 mm	1
600154	RAL 8022 ●			13*	6002XX*	Side Cap of Top Rail / (600231 - RAL 9016) (600234* - RAL 8022); (600237* - SILVER); (600241* - RAL 9005)	2* In the Set*
				14	60X7XX*	Sliding Stay Arm Guiding Rail / 140cm / Aluminium / (600721 - RAL 9016) (600753 - RAL 8022); (600777 - SILVER); (601709 - RAL 9005)	1
				15*	6002XX*	Cap of Sliding Stay Arm Guiding Rail Right / (600231 - RAL 9016) (600234* - RAL 8022); (600237* - SILVER); (600241* - RAL 9005)	1* In the Set*
600157	SILVER ○			15*	6002XX*	Cap of Sliding Stay Arm Guiding Rail Left / (600231 - RAL 9016) (600234* - RAL 8022); (600237* - SILVER); (600241* - RAL 9005)	1* In the Set*
				16	6007XX*	Bottom Rail / 2860mm (600711* - Grey Anodized Aluminium (for RAL 9016 and SILVER)) (600727* - Brown Anodized Aluminium (for RAL 8022 and RAL 9005))	1
				21	600515	Connection Rod / 110cm	1
600161	RAL 9005 ●			23	60X7XX	Cover Profile / 130cm / Aluminium / (600717* - RAL 9016) (600749* - RAL 8022); (600773* - SILVER); (601705* - RAL 9005)	1
				24*	6002XX*	Bogie Cover Right / (600231 - RAL 9016) (600234 - RAL 8022); (600237 - SILVER); (600241 - RAL 9005)	1* In the Set*
				24*	6002XX*	Bogie Cover Left / (600231 - RAL 9016) (600234 - RAL 8022); (600237 - SILVER); (600241 - RAL 9005)	1* In the Set*
600171	RAL 9016 ○	Rail 3460	3460mm Rail 1350/1600 mm Rail Stay Arm Set	9	6007XX*	Top Rail / 3460mm (600714* - Grey Anodized Aluminium (for RAL 9016 and SILVER)) (600730* - Brown Anodized Aluminium (for RAL 8022 and RAL 9005))	1
				10	6003XX*	Top Rail Cover / 3460mm (600307* - RAL 9016); (600342* - RAL8022); (600354* - SILVER)	1
				11	600227	Sliding Stay Arm / 1100-1600mm	1
600174	RAL 8022 ●			13*	6002XX*	Side Cap of Top Rail / (600231 - RAL 9016) (600234 - RAL 8022); (600237 - SILVER); (600241 - RAL 9005)	2* In the Set*
				14	60X7XX*	Sliding Stay Arm Guiding Rail / 165cm / Aluminium / (600722 - RAL 9016) (600754 - RAL 8022); (600778 - SILVER); (601710 - RAL 9005)	1
				15*	6002XX*	Cap of Sliding Stay Arm Guiding Rail Right / (600231 - RAL 9016) (600234 - RAL 8022); (600237 - SILVER); (600241 - RAL 9005)	1* In the Set*
600177	SILVER ○			15*	6002XX*	Cap of Sliding Stay Arm Guiding Rail Left / (600231 - RAL 9016) (600234 - RAL 8022); (600237 - SILVER); (600241 - RAL 9005)	1* In the Set*
				16	6007XX*	Bottom Rail / 3460 mm (600713* - Grey Anodized Aluminium (for RAL 9016 and SILVER)) (600729* - Brown Anodized Aluminium (for RAL 8022 and RAL 9005))	1
				21	600516	Connection Rod / 135cm	1
600181	RAL 9005 ●			23	60X7XX	Cover Profile / 155cm / Aluminium / (600718 - RAL 9016) (600750 - RAL 8022); (600774 - SILVER); (601706 - RAL 9005)	1
				24*	6002XX*	Bogie Cover Right / (600231 - RAL 9016) (600234 - RAL 8022); (600237 - SILVER); (600241 - RAL 9005)	1* In the Set*
				24*	6002XX*	Bogie Cover Left / (600231 - RAL 9016) (600234 - RAL 8022); (600237 - SILVER); (600241 - RAL 9005)	1* In the Set*

# Vertical Middle Lock

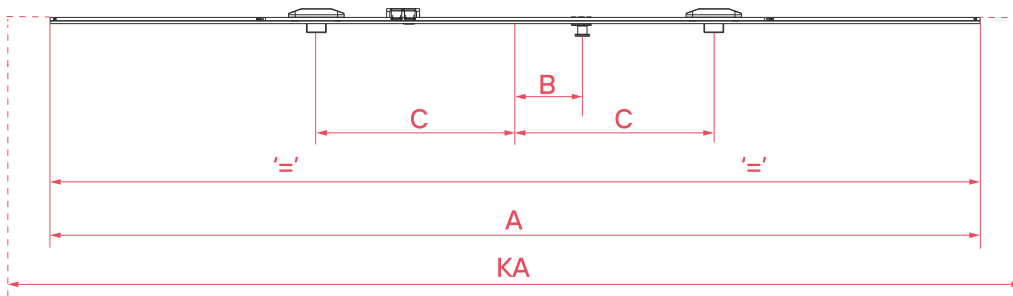


Code	Description	KA (mm)	A (mm)	B (mm)	C (mm)	D (mm)		
201209	PSP 2 Vertical Middle Lock	661 - 1160	900	115		-	1	10
201210	PSP 3 Vertical Middle Lock	900 - 1400	1140	115		-	1	10
201211	PSP 4 Vertical Middle Lock	1161 - 1660	1400	115	304	-	2	10
201212	PSP 5 Vertical Middle Lock	1661 - 2160	1900	115	438	438	3	10
201213	PSP 6 Vertical Middle Lock	1900 - 2400	2140	115	438	438	3	10

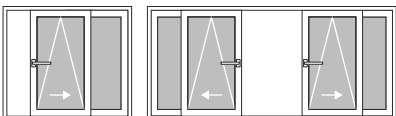


# Horizontal Middle Lock with Latches



Code	Description	KA (mm)	A (mm)	B (mm)	C (mm)			
201201*	DSP 1 Horizontal Middle Lock with Latches	600 - 800	530	50	150	1	2	10
201201	DSP 1 Horizontal Middle Lock with Latches	800 - 1040	530	50	150	1	2	10
201202	DSP 2 Horizontal Middle Lock with Latches	1000 - 1200	730	50	250	1	2	10
201203	DSP 3 Horizontal Middle Lock with Latches	1200 - 1400	930	50	350	1	2	10
201204	DSP 4 Horizontal Middle Lock with Latches	1400 - 1600	1130	50	450	1	2	10

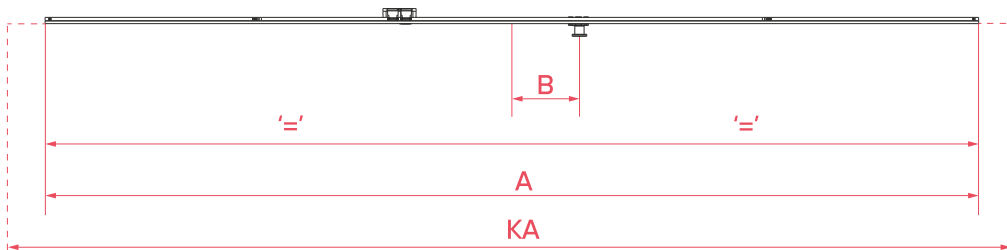


\*In case of application with Corner Transmission Short

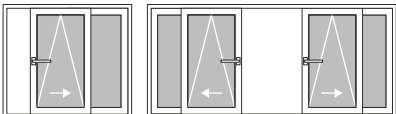


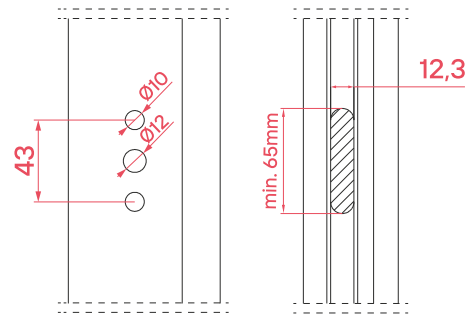
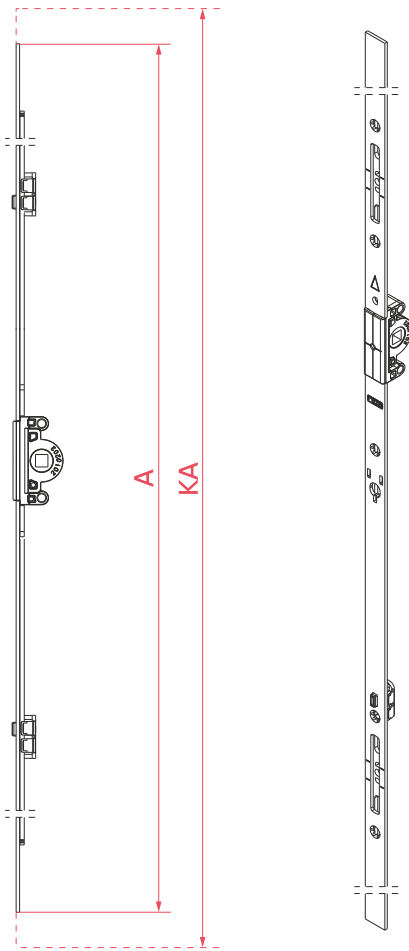
# Horizontal Middle Lock Top


Code	Description	KA (mm)	A (mm)	B (mm)		
201205*	DSP 1 Horizontal Middle Lock Top	600 - 800	530	50	1	10
201205	DSP 1 Horizontal Middle Lock Top	800 - 1040	530	50	1	10
201206	DSP 2 Horizontal Middle Lock Top	1000 - 1200	730	50	1	10
201207	DSP 3 Horizontal Middle Lock Top	1200 - 1400	930	50	1	10
201208	DSP 4 Horizontal Middle Lock Top	1400 - 1600	1130	50	1	10

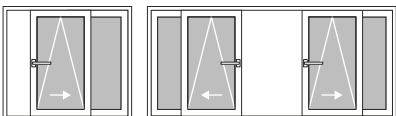


\*In case of application with Corner Transmission Short

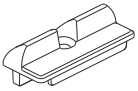





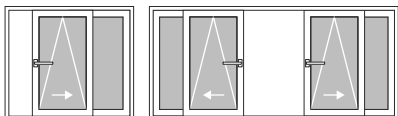
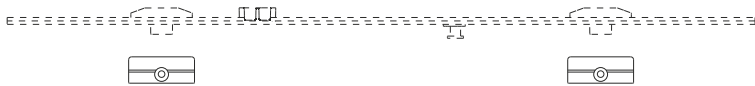
Code	Description	KA (mm)	A (mm)	
201132	PSP 2 Gear without Pins	661 - 1160	900	10
201133	PSP 3 Gear without Pins	900 - 1400	1140	10
201134	PSP 4 Gear without Pins	1161 - 1660	1400	10
201135	PSP 5 Gear without Pins	1661 - 2160	1900	10
201136	PSP 6 Gear without Pins	1900 - 2400	2140	10



# Tilt Strikers



Code	Description	Axis (mm)	
600201	Tilt Striker	13	40
600202	Tilt Striker	9	100



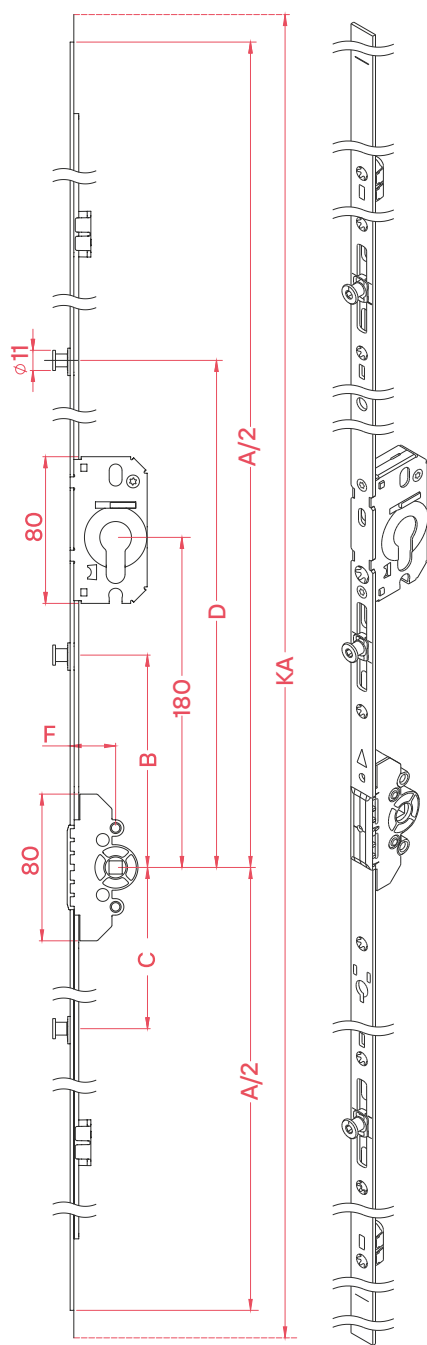
## Cylinder Tilt & Turn Gears 25-180 mm





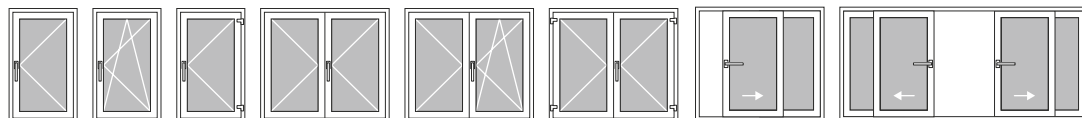
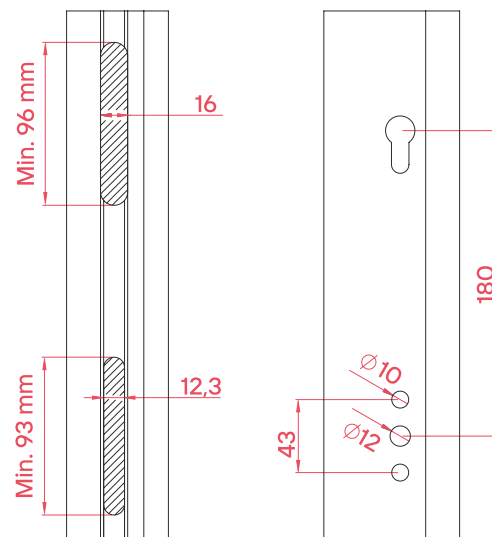
Tilt & turn gears with cylinder  
opportunity of key operating and blocking  
bottom moving strip of the gear.  
Backset 25 mm; Center-to-center distance 180 mm



# Cylinder Tilt&Turn Gear/25-180mm



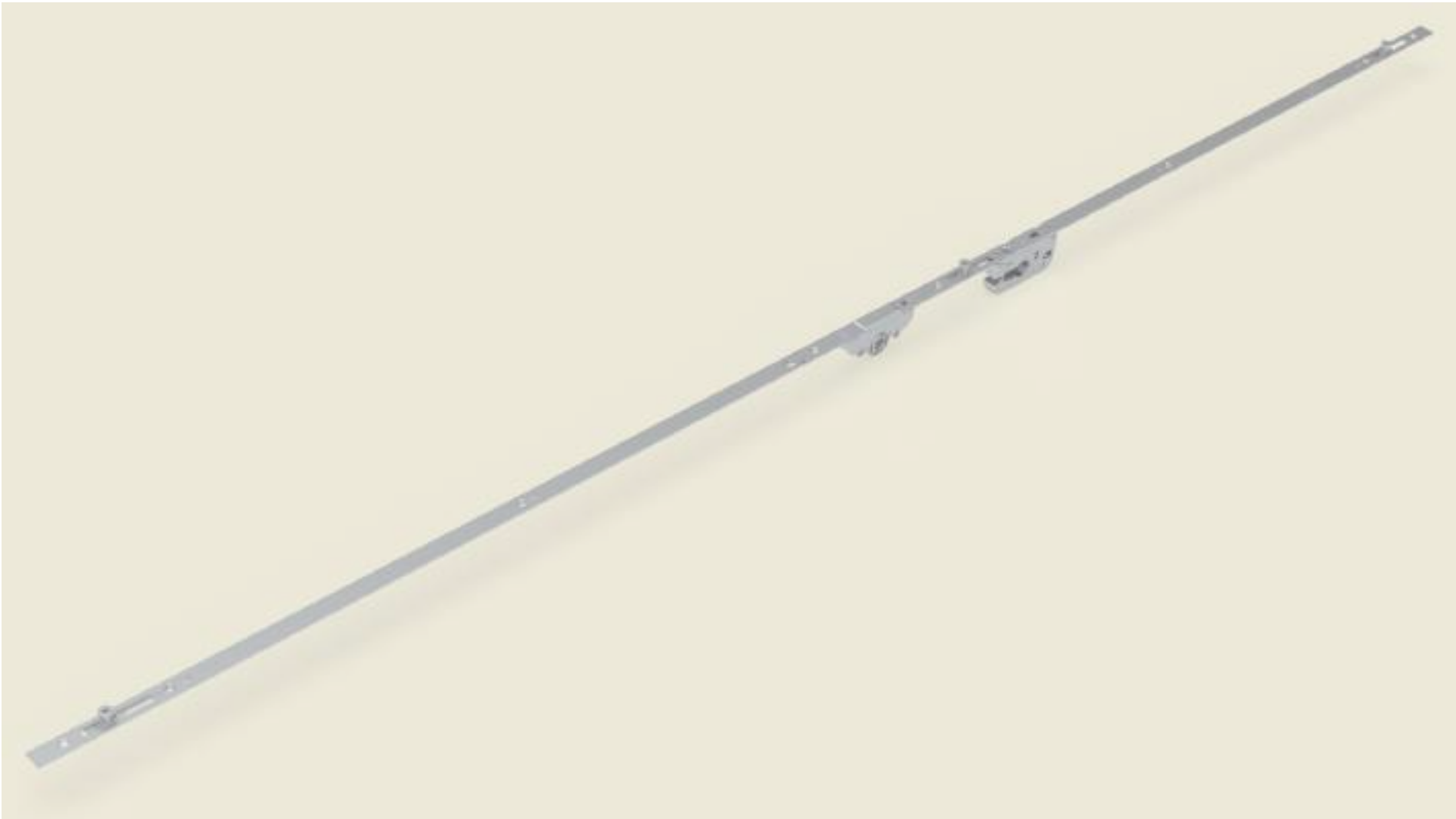
Code	Description	KA (mm)	A (mm)	B (mm)	C (mm)	D (mm)	E (mm)	F (mm)		
201147	SPB 4 - Cylinder Tilt&Turn Gear / 25-180	1161 - 1660	1400	115	304	-	-	25	2	10
201148	SPB 5 - Cylinder Tilt&Turn Gear / 25-180	1661 - 2160	1900	115	438	438	-	25	3	10
201149	SPB 6 - Cylinder Tilt&Turn Gear / 25-180	1900 - 2400	2140	115	438	438	-	25	3	10



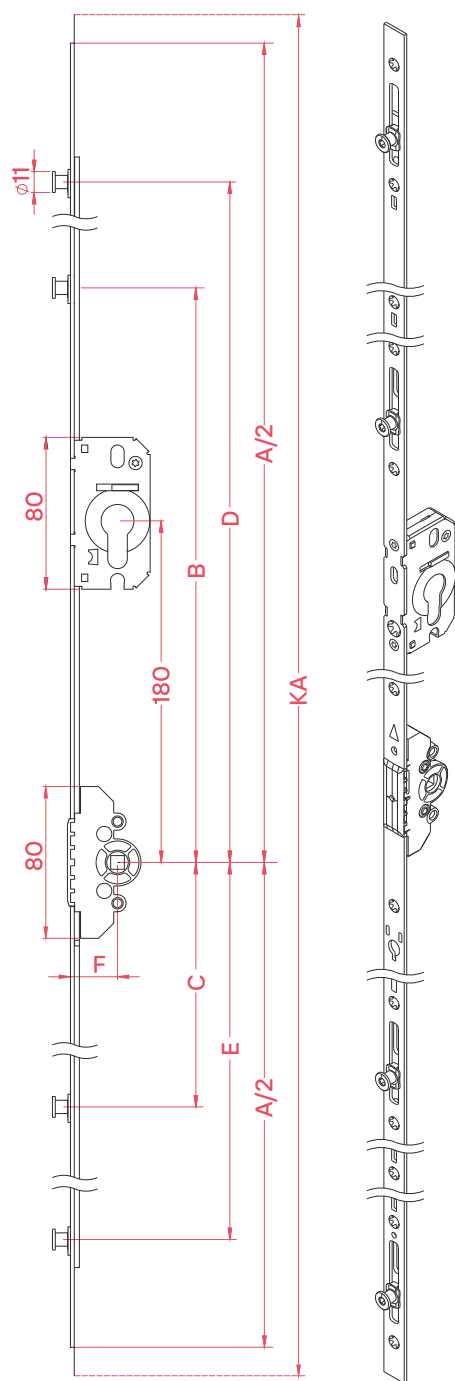
## Cylinder Turn Gears 25-180 mm





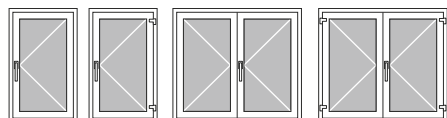
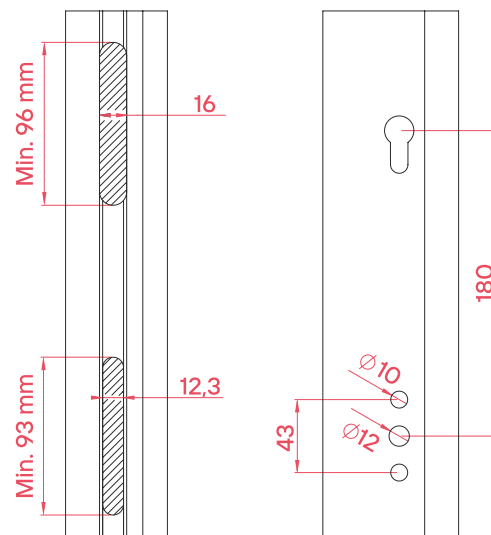
Turn gears with cylinder  
opportunity of key operating and blocking  
bottom moving strip of the gear.  
Backset 25 mm; Center-to-center distance 180 mm



# Cylinder Turn Gear / 25-180mm



Code	Description	KA (mm)	A (mm)	B (mm)	C (mm)	D (mm)	E (mm)	F (mm)		
200290	SPB 1600 - Cylinder Turn Gear / 25-180	1600 - 1800	1600	106	-	726	744	25	3	10
200291	SPB 1800 - Cylinder Turn Gear / 25-180	1800 - 2000	1800	302	320	826	844	25	4	10
200292	SPB 2000 - Cylinder Turn Gear / 25-180	2000 - 2200	2000	302	320	926	944	25	4	10







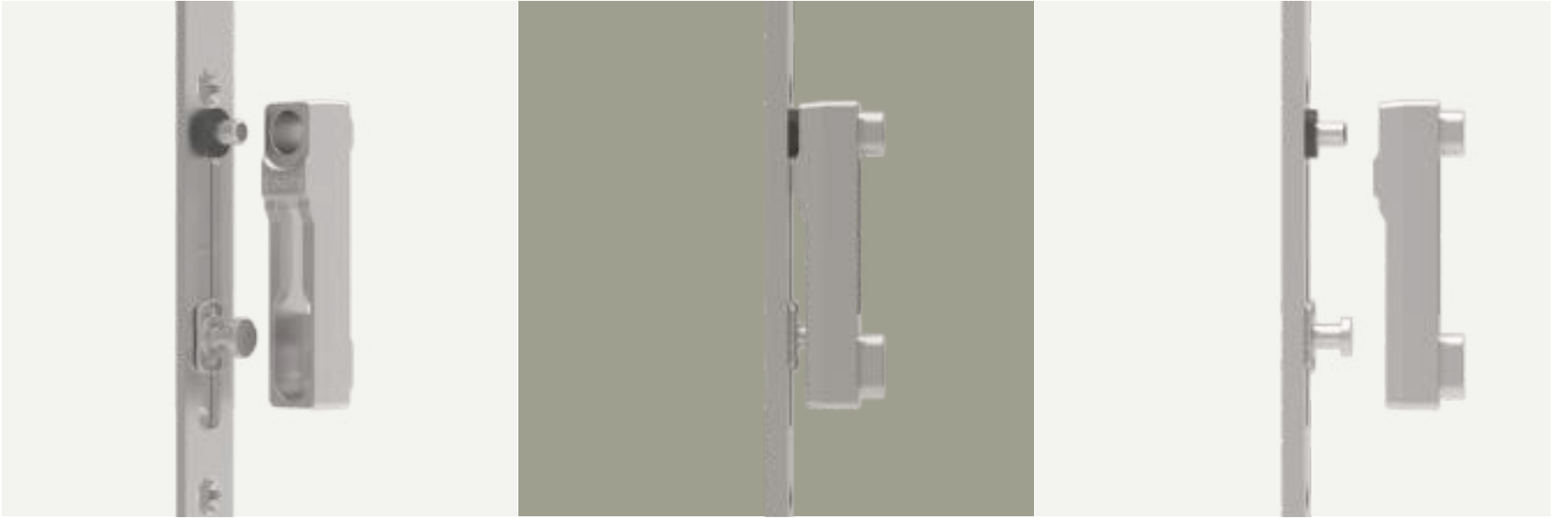
# Basic Sliding System

## Basic Sliding System

Basic Slide System is made for single sash and double sash structures. The high quality of components and assembly ensures long and reliable operation. We have innovative products as well as standard solutions. High quality and comfortable operation of all units is confirmed by many years of production experience and popularity in many countries of the world.









LONG LASTING



EASY  
INSTALLATION

## Sliding Gears

---

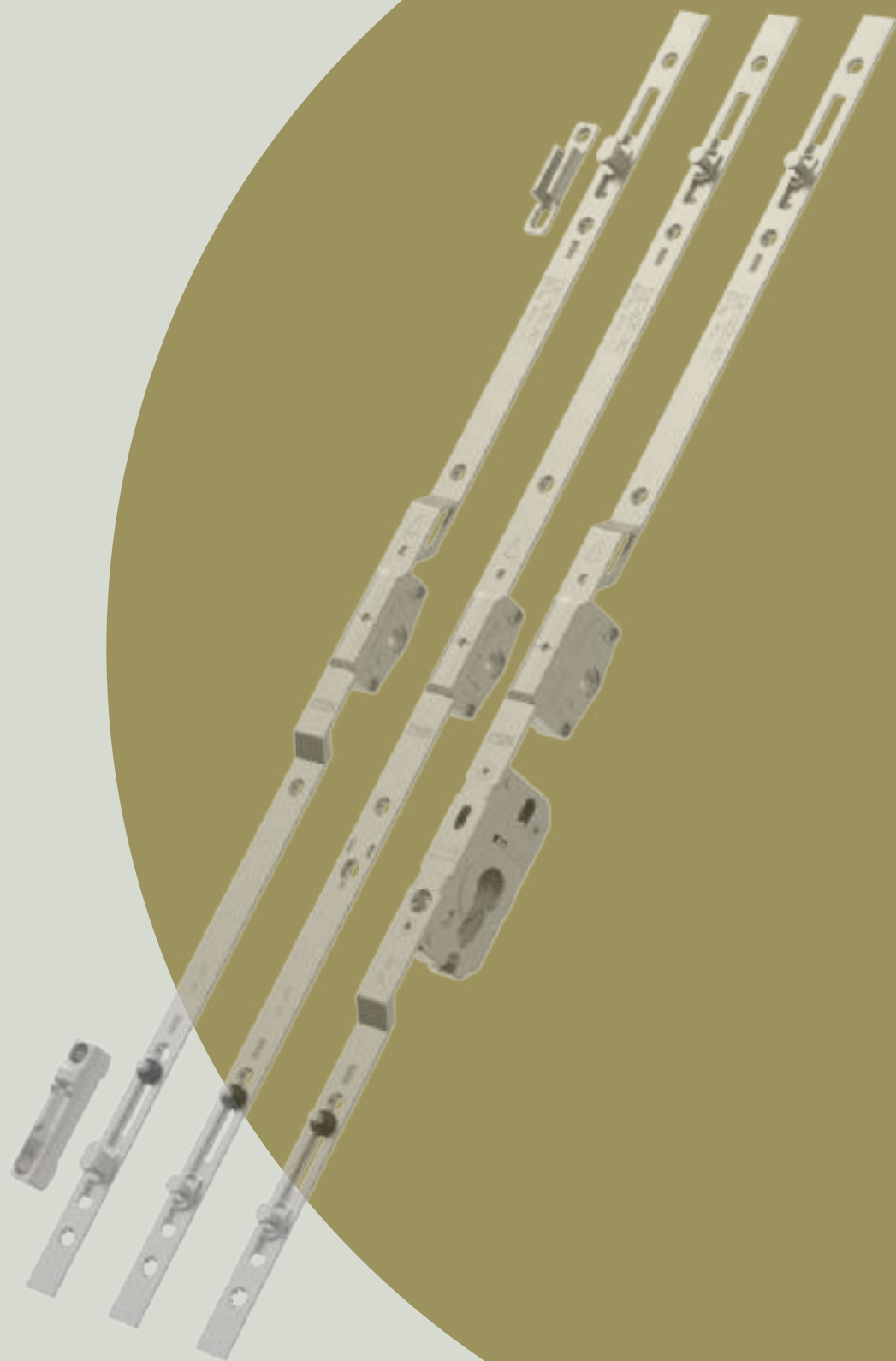
Various options of the gears backsets,  
from 7 mm, 15 mm and 17mm

Wide selection of the gears ranges  
for any type of Casement heights.

Special design of the Strikers,  
optional standard of economic application.

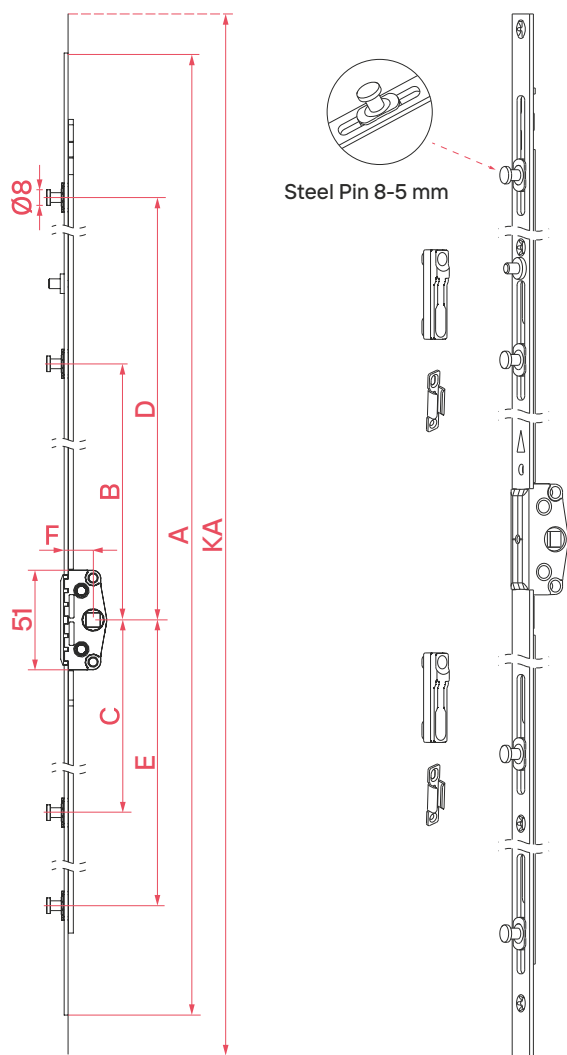
Choosable pins - Steel or Zamak alloy,  
for different applications.  
include Aluminium Systems

Exceptional models of the Espagnolettes  
for different solutions for instance  
American Systems and another.

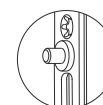
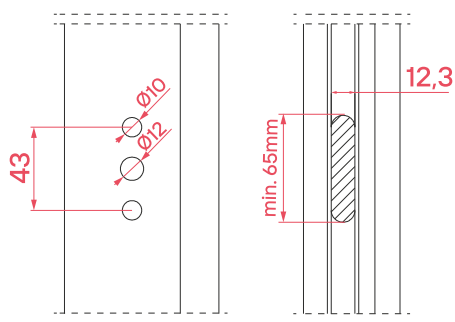


# Sliding Gear Variable

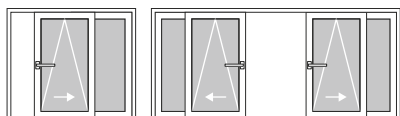
## 15mm T-S (8-5mm)



Code	Description	KA (mm)	A (mm)	B (mm)	C (mm)	D (mm)	E (mm)	F (mm)		
200261	SPS 190 Sliding Gear Variable	190 - 280	160	-	-	36	90	15	-	100
200262	SPS 280 Sliding Gear Variable	280 - 400	280	-	-	72	90	15	2	20
200263	SPS 400 Sliding Gear Variable	400 - 600	400	-	-	126	144	15	2	20
200264	SPS 600 Sliding Gear Variable	600 - 800	600	-	-	226	244	15	2	20
200265	SPS 800 Sliding Gear Variable	800 - 1000	800	-	-	326	344	15	2	20
200266	SPS 1000 Sliding Gear Variable	1000 - 1200	1000	106	-	426	444	15	3	20
200267	SPS 1200 Sliding Gear Variable	1200 - 1400	1200	106	-	526	544	15	3	20
200268	SPS 1400 Sliding Gear Variable	1400 - 1600	1400	106	-	626	644	15	3	20
200269	SPS 1600 Sliding Gear Variable	1600 - 1800	1600	106	-	726	744	15	3	20
200270	SPS 1800 Sliding Gear Variable	1800 - 2000	1800	270	288	826	844	15	4	20
200271	SPS 2000 Sliding Gear Variable	2000 - 2200	2000	302	320	926	944	15	4	20

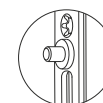
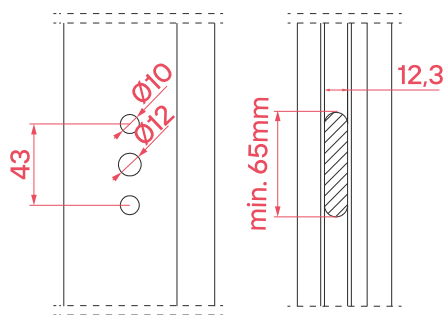
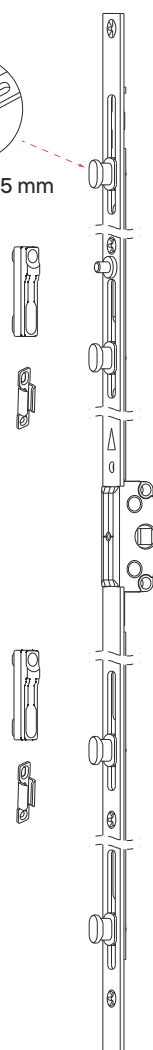
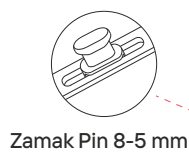
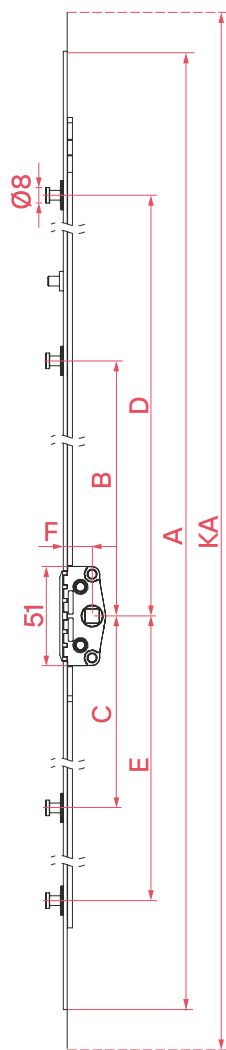


\*From 280 mm to 1400 mm - Placed at a bottom side of the Espagnolette  
\*From 1600 mm to 2000 mm - Placed at a top side of the Espagnolette





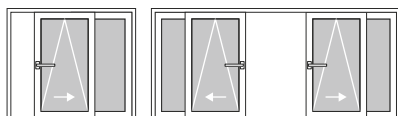
# Sliding Gear Variable

## 15mm T-Z (8-5mm)



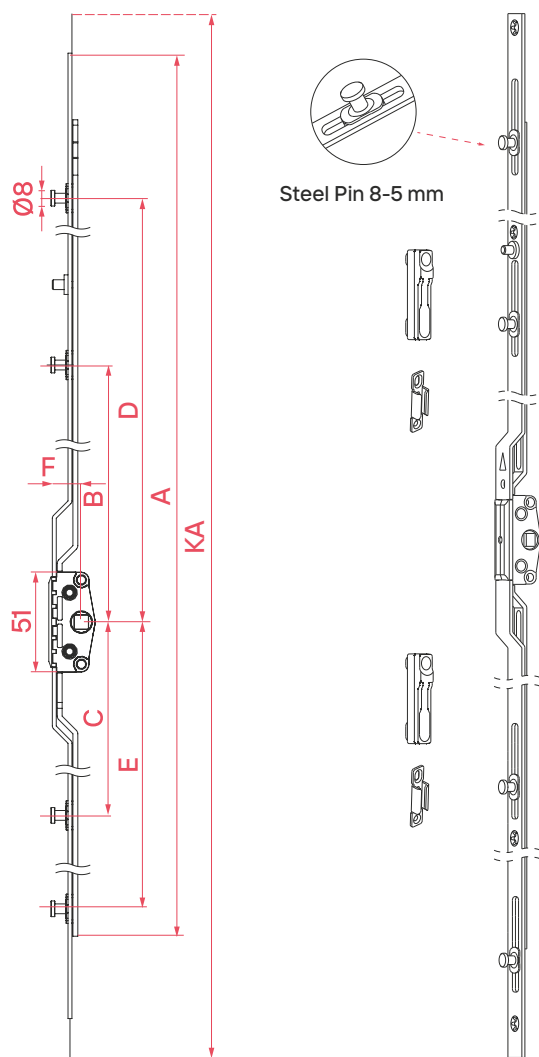
\*From 280 mm to 1400 mm - Placed at a bottom side of the Espagnolette  
\*From 1600 mm to 2000 mm - Placed at a top side of the Espagnolette



Code	Description	KA (mm)	A (mm)	B (mm)	C (mm)	D (mm)	E (mm)	F (mm)		
200361	SPS 190 Sliding Gear Variable	190 - 280	160	-	-	36	90	15	-	100
200362	SPS 280 Sliding Gear Variable	280 - 400	280	-	-	72	90	15	2	20
200363	SPS 400 Sliding Gear Variable	400 - 600	400	-	-	126	144	15	2	20
200364	SPS 600 Sliding Gear Variable	600 - 800	600	-	-	226	244	15	2	20
200365	SPS 800 Sliding Gear Variable	800 - 1000	800	-	-	326	344	15	2	20
200366	SPS 1000 Sliding Gear Variable	1000 - 1200	1000	106	-	426	444	15	3	20
200367	SPS 1200 Sliding Gear Variable	1200 - 1400	1200	106	-	526	544	15	3	20
200368	SPS 1400 Sliding Gear Variable	1400 - 1600	1400	106	-	626	644	15	3	20
200369	SPS 1600 Sliding Gear Variable	1600 - 1800	1600	106	-	726	744	15	3	20
200370	SPS 1800 Sliding Gear Variable	1800 - 2000	1800	270	288	826	844	15	4	20
200371	SPS 2000 Sliding Gear Variable	2000 - 2200	2000	302	320	926	944	15	4	20

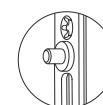
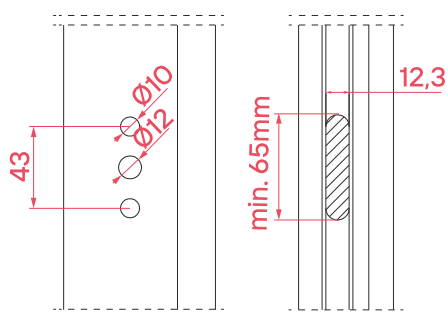


# Sliding Gear Variable

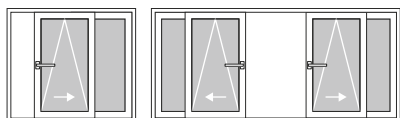
7mm T-S (8-5mm)



Code	Description	KA (mm)	A (mm)	B (mm)	C (mm)	D (mm)	E (mm)	F (mm)		
200401	SPS 280 Sliding Gear Variable	280 - 400	280	-	-	82	-	7	1	20
200272	SPS 400 Sliding Gear Variable	400 - 600	400	-	-	126	144	7	2	20
200273	SPS 600 Sliding Gear Variable	600 - 800	600	-	-	226	244	7	2	20
200274	SPS 800 Sliding Gear Variable	800 - 1000	800	-	-	326	344	7	2	20
200275	SPS 1000 Sliding Gear Variable	1000 - 1200	1000	106	-	426	444	7	3	20
200276	SPS 1200 Sliding Gear Variable	1200 - 1400	1200	106	-	526	544	7	3	20
200277	SPS 1400 Sliding Gear Variable	1400 - 1600	1400	106	-	626	644	7	3	20
200278	SPS 1600 Sliding Gear Variable	1600 - 1800	1600	106	-	726	744	7	3	20
200279	SPS 1800 Sliding Gear Variable	1800 - 2000	1800	270	288	826	844	7	4	20
200280	SPS 2000 Sliding Gear Variable	2000 - 2200	2000	302	320	926	944	7	4	20

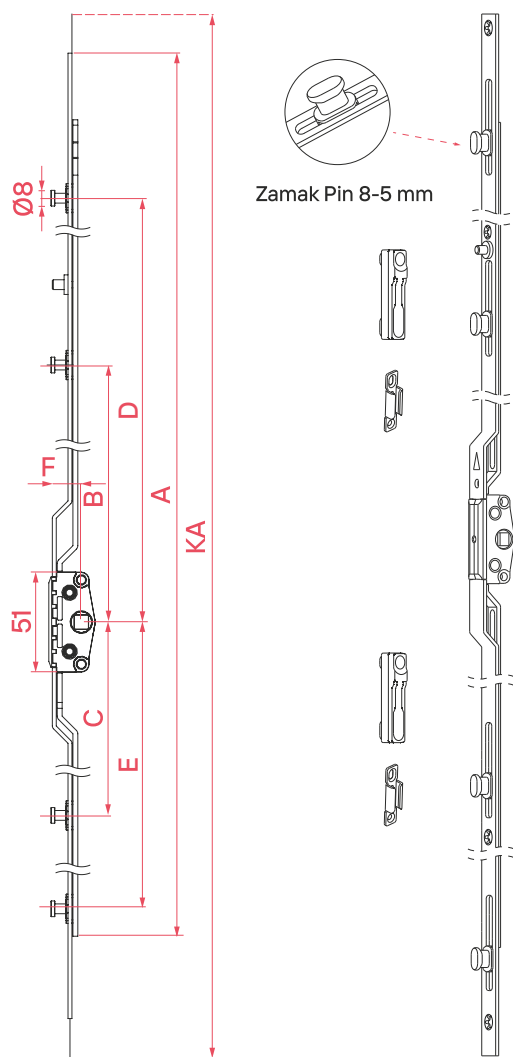



\*From 280 mm to 1400 mm - Placed at a bottom side of the Espagnolette  
\*From 1600 mm to 2000 mm - Placed at a top side of the Espagnolette

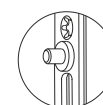
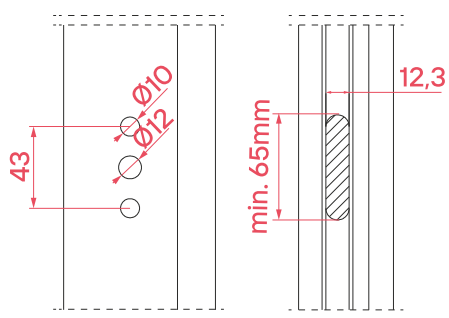


# Sliding Gear Variable

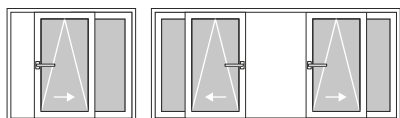
## 7mm T-Z (8-5mm)



Code	Description	KA (mm)	A (mm)	B (mm)	C (mm)	D (mm)	E (mm)	F (mm)		
200402	SPS 280 Sliding Gear Variable	280 - 400	280	-	-	82	-	7	1	20
200372	SPS 400 Sliding Gear Variable	400 - 600	400	-	-	126	144	7	2	20
200373	SPS 600 Sliding Gear Variable	600 - 800	600	-	-	226	244	7	2	20
200374	SPS 800 Sliding Gear Variable	800 - 1000	800	-	-	326	344	7	2	20
200375	SPS 1000 Sliding Gear Variable	1000 - 1200	1000	106	-	426	444	7	3	20
200376	SPS 1200 Sliding Gear Variable	1200 - 1400	1200	106	-	526	544	7	3	20
200377	SPS 1400 Sliding Gear Variable	1400 - 1600	1400	106	-	626	644	7	3	20
200378	SPS 1600 Sliding Gear Variable	1600 - 1800	1600	106	-	726	744	7	3	20
200379	SPS 1800 Sliding Gear Variable	1800 - 2000	1800	270	288	826	844	7	4	20
200380	SPS 2000 Sliding Gear Variable	2000 - 2200	2000	302	320	926	944	7	4	20

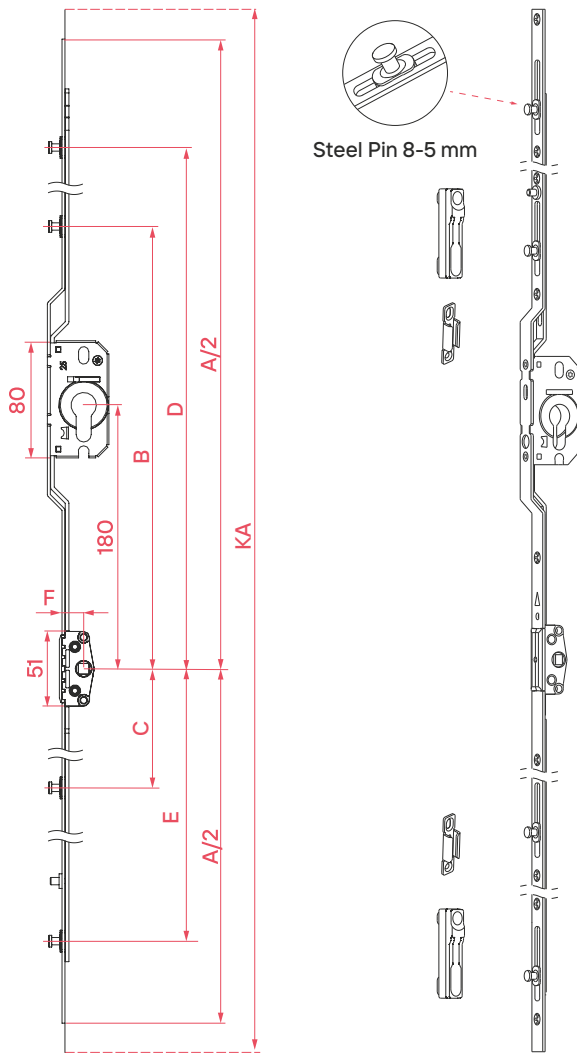




\*From 280 mm to 1400 mm - Placed at a bottom side of the Espagnolette  
\*From 1600 mm to 2000 mm - Placed at a top side of the Espagnolette

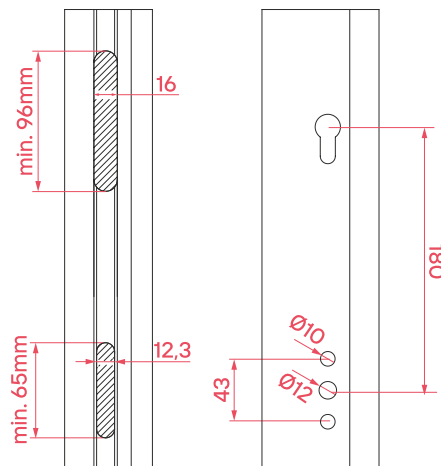


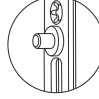
# Cylinder Sliding Gear Variable

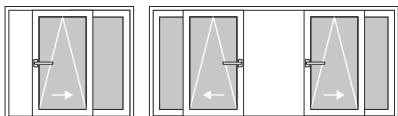
15-180 mm T-S (8-5 mm)



Code	Description	KA (mm)	A (mm)	B (mm)	C (mm)	D (mm)	E (mm)	F (mm)		
200281	SPB 1600 Cylinder Sliding Gear Variable	1600 - 1800	1600	302	320	726	744	15	4	20
200282	SPB 1800 Cylinder Sliding Gear Variable	1800 - 2000	1800	302	320	826	844	15	4	20
200283	SPB 2000 Cylinder Sliding Gear Variable	2000 - 2200	2000	302	320	926	944	15	4	20

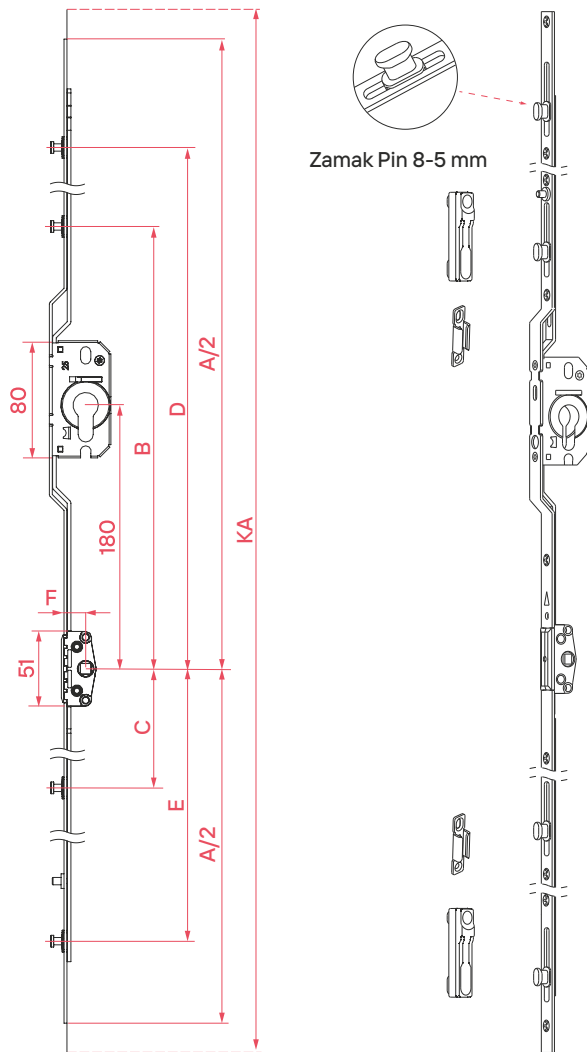




  
\*Placed at a top side of the Espagnolette

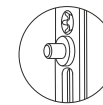
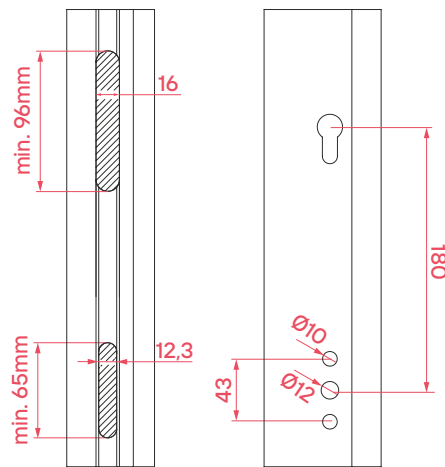


# Cylinder Sliding Gear Variable

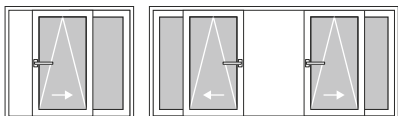
15-180 mm T-Z (8-5 mm)



Code	Description	KA (mm)	A (mm)	B (mm)	C (mm)	D (mm)	E (mm)	F (mm)		
200381	SPB 1600 Cylinder Sliding Gear Variable	1600 - 1800	1600	302	320	726	744	15	4	20
200382	SPB 1800 Cylinder Sliding Gear Variable	1800 - 2000	1800	302	320	826	844	15	4	20
200383	SPB 2000 Cylinder Sliding Gear Variable	2000 - 2200	2000	302	320	926	944	15	4	20

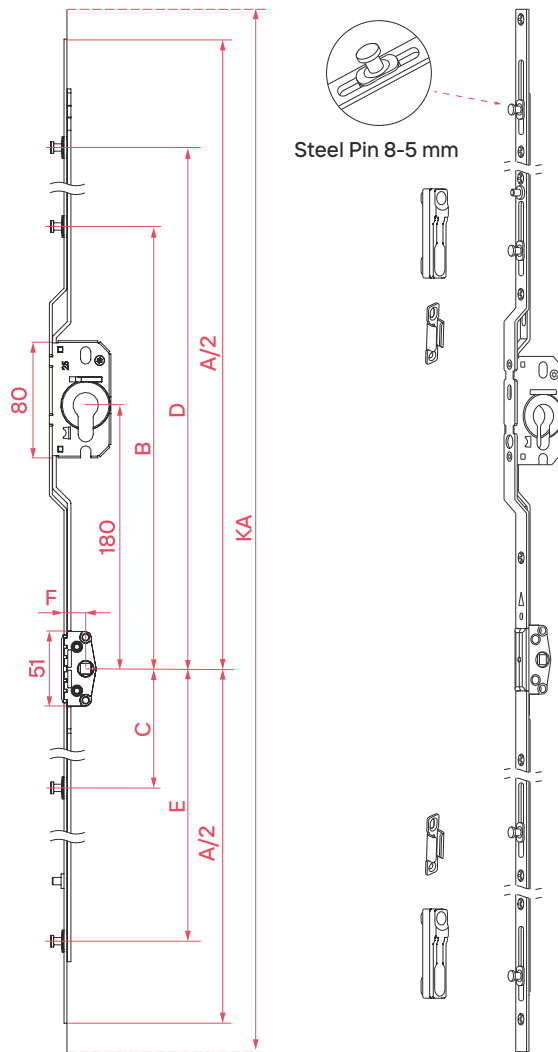




\*Placed at a top side of the Espagnolette

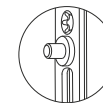
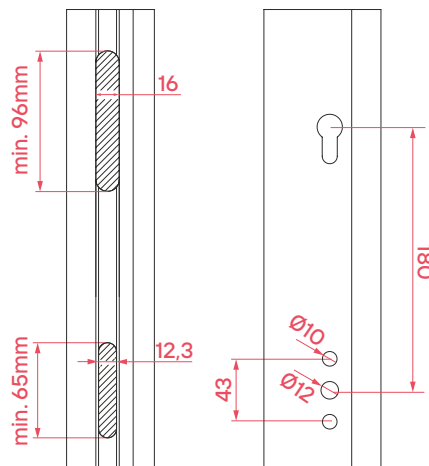


# Cylinder Sliding Gear Variable

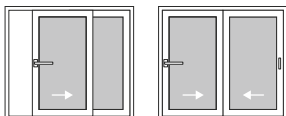
25-180 mm T-S (8-5 mm)



Code	Description	KA (mm)	A (mm)	B (mm)	C (mm)	D (mm)	E (mm)	F (mm)		
200481	SPB 1600 Cylinder Sliding Gear Variable	1600 - 1800	1600	302	320	726	744	25	4	20
200482	SPB 1800 Cylinder Sliding Gear Variable	1800 - 2000	1800	302	320	826	844	25	4	20
200483	SPB 2000 Cylinder Sliding Gear Variable	2000 - 2200	2000	302	320	926	944	25	4	20

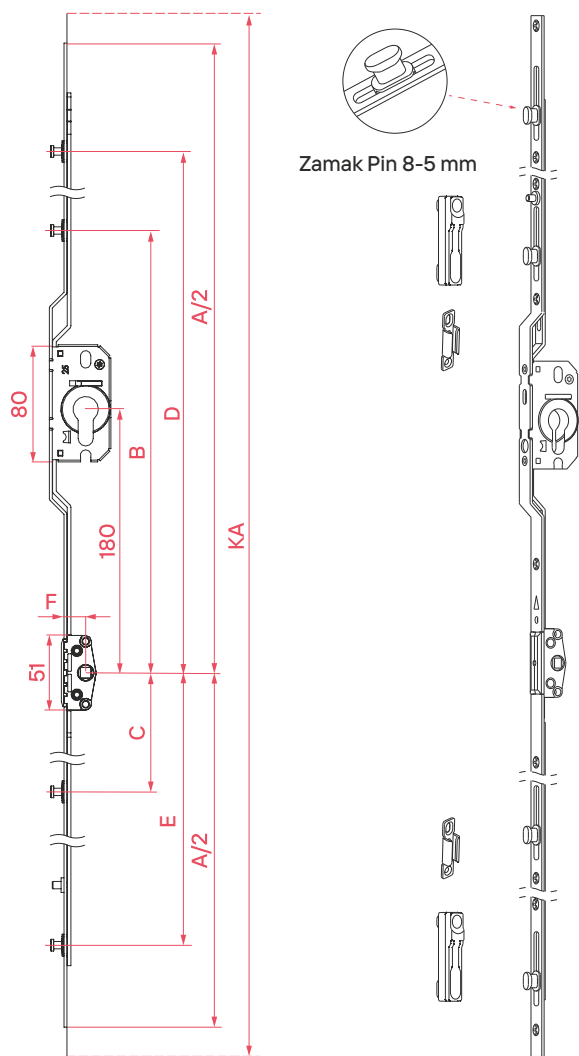




\*Placed at a top side of the Espagnolette

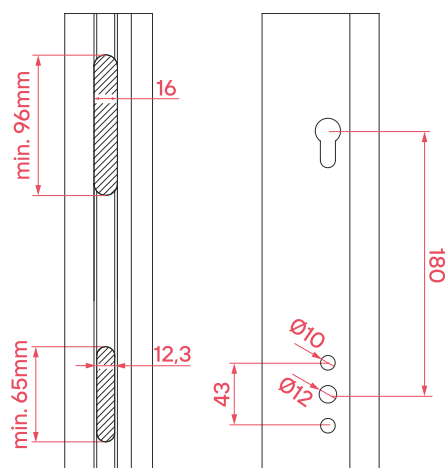


# Cylinder Sliding Gear Variable

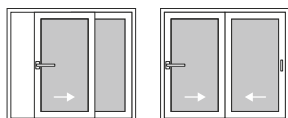
25-180 mm T-Z (8-5 mm)



Code	Description	KA (mm)	A (mm)	B (mm)	C (mm)	D (mm)	E (mm)	F (mm)		
200581	SPB 1600 Cylinder Sliding Gear Variable	1600 - 1800	1600	302	320	726	744	25	4	20
200582	SPB 1800 Cylinder Sliding Gear Variable	1800 - 2000	1800	302	320	826	844	25	4	20
200583	SPB 2000 Cylinder Sliding Gear Variable	2000 - 2200	2000	302	320	926	944	25	4	20

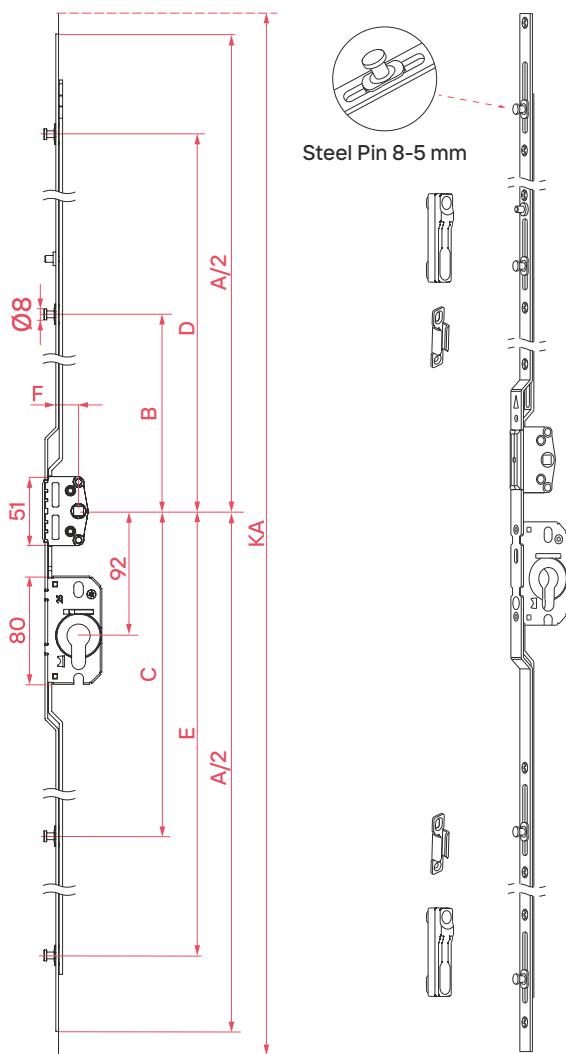




\*Placed at a top side of the Espagnolette

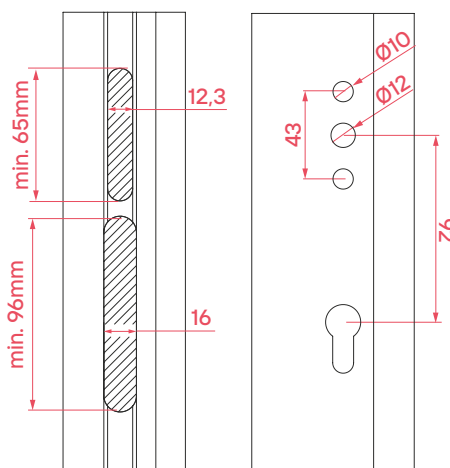


# Cylinder Sliding Gear Variable

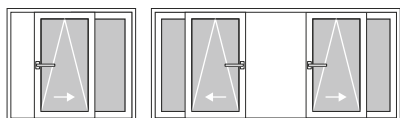
17-92 mm T-S (8-5 mm)



Code	Description	KA (mm)	A (mm)	B (mm)	C (mm)	D (mm)	E (mm)	F (mm)		
200293	SPB 600 Cylinder Sliding Gear Variable	600 - 800	600	-	-	226	244	17	2	20
200294	SPB 800 Cylinder Sliding Gear Variable	800 - 1000	800	-	-	326	344	17	2	20
200295	SPB 1000 Cylinder Sliding Gear Variable	1000 - 1200	1000	106	-	426	444	17	3	20
200296	SPB 1200 Cylinder Sliding Gear Variable	1200 - 1400	1200	106	-	526	544	17	3	20
200297	SPB 1400 Cylinder Sliding Gear Variable	1400 - 1600	1400	106	-	626	644	17	3	20
200298	SPB 1600 Cylinder Sliding Gear Variable	1600 - 1800	1600	106	-	726	744	17	3	20
200299	SPB 1800 Cylinder Sliding Gear Variable	1800 - 2000	1800	270	288	826	844	17	4	20
200300	SPB 2000 Cylinder Sliding Gear Variable	2000 - 2200	2000	302	320	926	944	17	4	20

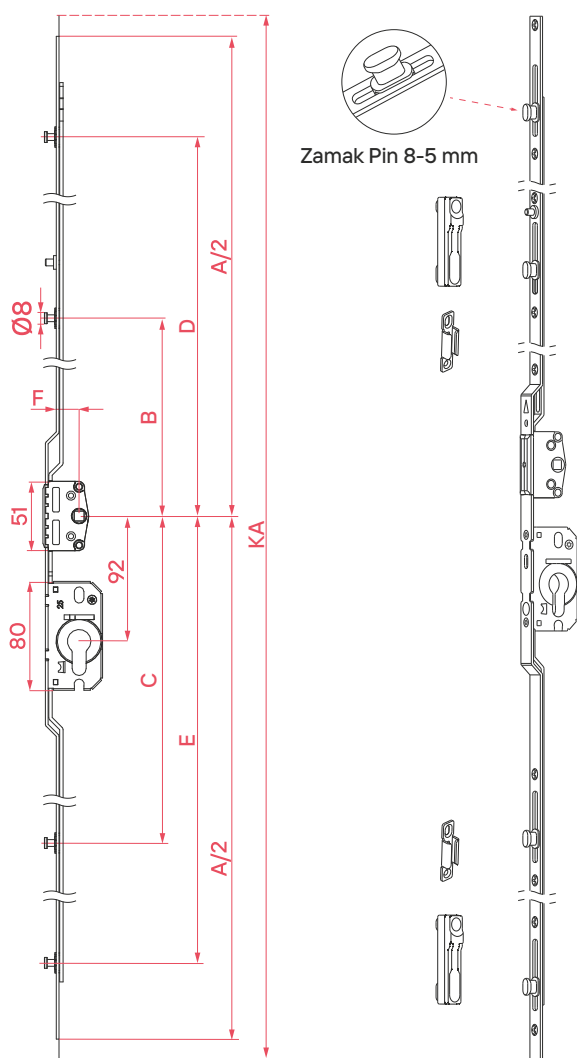



\*From 600 mm to 1400 mm - Placed at a bottom side of the Espagnolette  
 \*From 1600 mm to 2000 mm - Placed at a top side of the Espagnolette

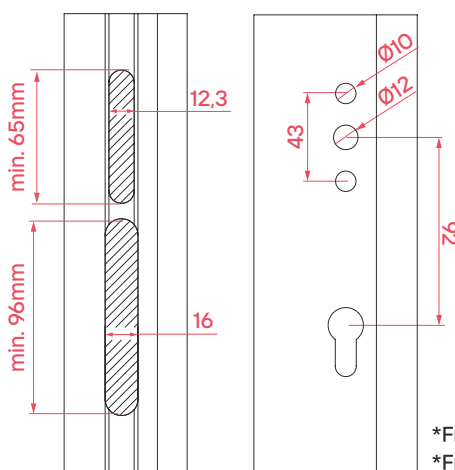


# Cylinder Sliding Gear Variable

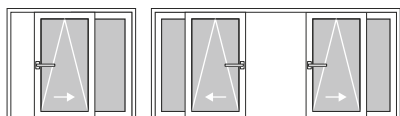
17-92 mm T-Z (8-5 mm)



Code	Description	KA (mm)	A (mm)	B (mm)	C (mm)	D (mm)	E (mm)	F (mm)		
200393	SPB 600 Cylinder Sliding Gear Variable	600 - 800	600	-	-	226	244	17	2	20
200394	SPB 800 Cylinder Sliding Gear Variable	800 - 1000	800	-	-	326	344	17	2	20
200395	SPB 1000 Cylinder Sliding Gear Variable	1000 - 1200	1000	106	-	426	444	17	3	20
200396	SPB 1200 Cylinder Sliding Gear Variable	1200 - 1400	1200	106	-	526	544	17	3	20
200397	SPB 1400 Cylinder Sliding Gear Variable	1400 - 1600	1400	106	-	626	644	17	3	20
200398	SPB 1600 Cylinder Sliding Gear Variable	1600 - 1800	1600	106	-	726	744	17	3	20
200399	SPB 1800 Cylinder Sliding Gear Variable	1800 - 2000	1800	270	288	826	844	17	4	20
200400	SPB 2000 Cylinder Sliding Gear Variable	2000 - 2200	2000	302	320	926	944	17	4	20

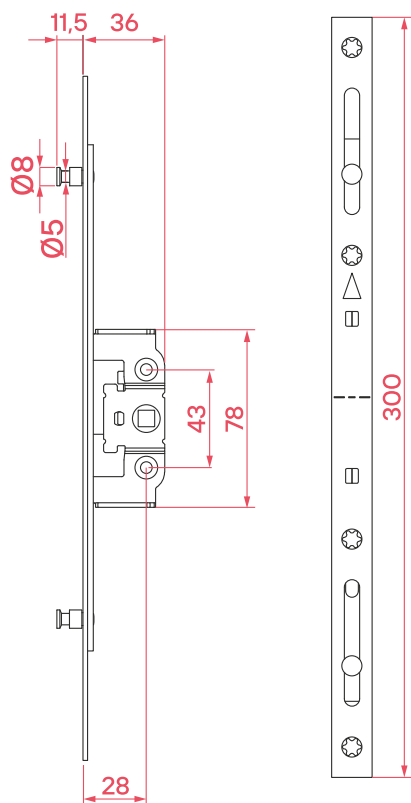




\*From 600 mm to 1400 mm - Placed at a bottom side of the Espagnolette  
\*From 1600 mm to 2000 mm - Placed at a top side of the Espagnolette

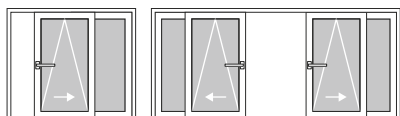
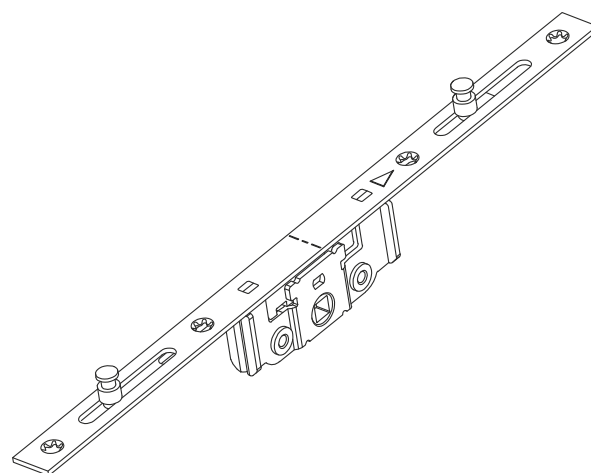


# SPA 300 - Sliding Gear

28mm T2-S (8-5mm)

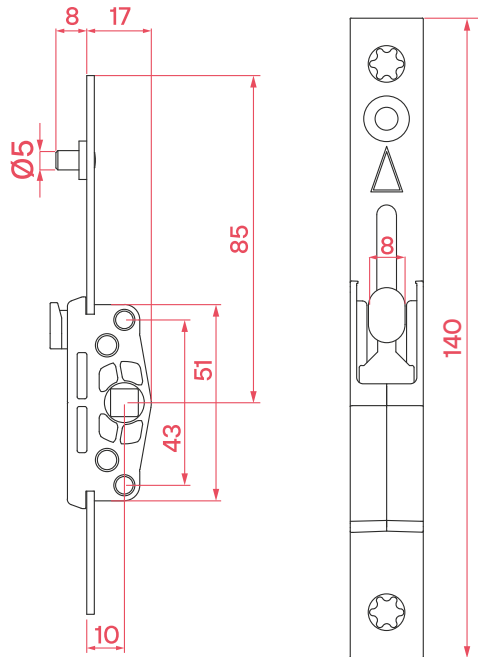


Code	Description		
200302	SPA 300 - Sliding Gear / 28mm T2-S (8-5mm)	2	100

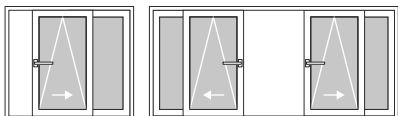
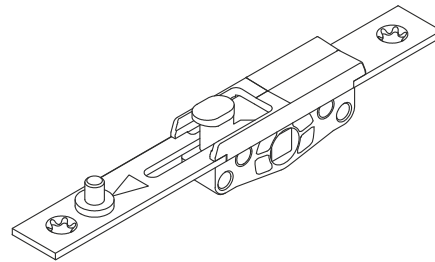


# SPO 170 - Sliding Gear

18mm T1-Z (8-5mm)

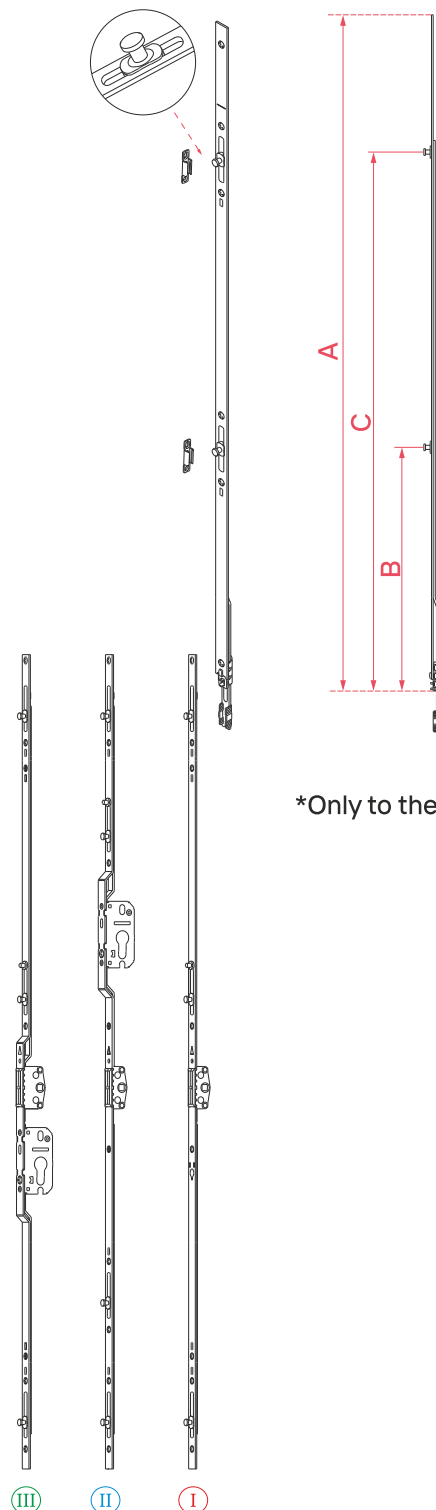


Code	Description		
200301	SPO 170 - Sliding Gear / 10mm T1-Z (8-5mm)	1	100





# Centre Locks for Sliding gears (Steel Pin)

T-S (8-5mm)



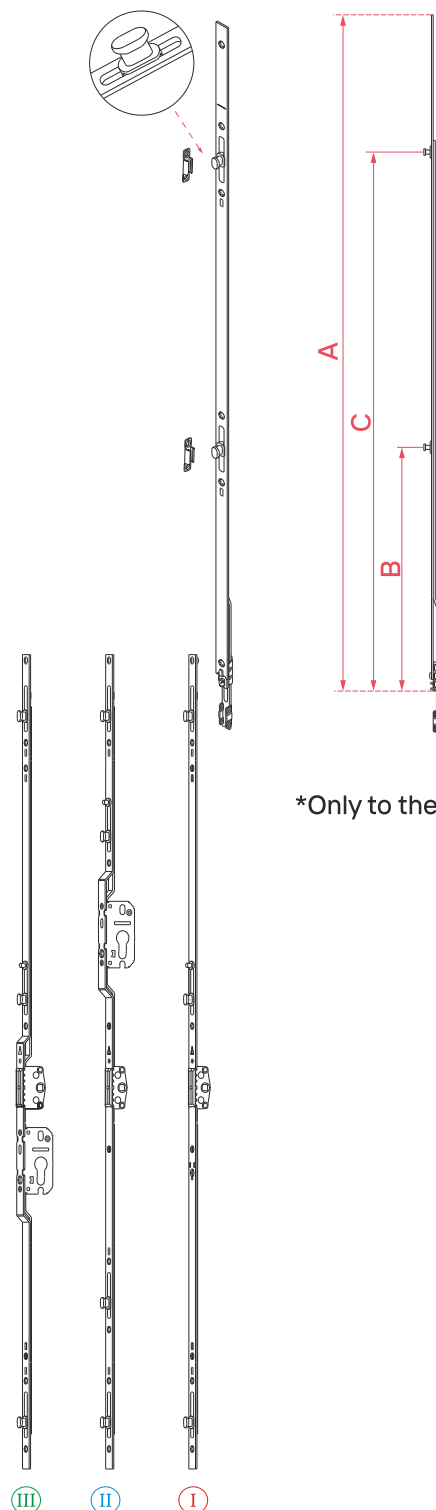
\*Only to the top side applicable.

Code	Description	KA (mm)	A (mm)	B (mm)	C (mm)		
205124	IKS 1 - Centre Lock Sliding	300 - 400	400	234	-	1	10
205125	IKS 2 - Centre Lock Sliding	500 - 600	600	434	-	1	10
205126	IKS 3 - Centre Lock Sliding	700 - 800	800	279	634	2	10
205127	IKS 4 - Centre Lock Sliding	900 - 1000	1000	379	834	2	10
205128	IKS 5 - Centre Lock Sliding	1100 - 1200	1100	479	1034	2	10



Applies only to:				
	Code	Description	KA (mm)	Page
I	200269	SPS 1600 Sliding Gear Variable	1600 - 1800	page 189&191
	200270	SPS 1800 Sliding Gear Variable	1800 - 2000	
	200271	SPS 2000 Sliding Gear Variable	2000 - 2200	
	200278	SPS 1600 Sliding Gear Variable	1600 - 1800	
	200279	SPS 1800 Sliding Gear Variable	1800 - 2000	
	200280	SPS 2000 Sliding Gear Variable	2000 - 2200	
II	200281	SPB 1600 Cylinder Sliding Gear Variable	1600 - 1800	page 193
	200282	SPB 1800 Cylinder Sliding Gear Variable	1800 - 2000	
	200283	SPB 2000 Cylinder Sliding Gear Variable	2000 - 2200	
III	200298	SPB 1600 Cylinder Sliding Gear Variable	1600 - 1800	page 197
	200299	SPB 1800 Cylinder Sliding Gear Variable	1800 - 2000	
	200300	SPB 2000 Cylinder Sliding Gear Variable	2000 - 2200	

# Centre Locks for Sliding Gears (Zamak Pin)

T-Z (8-5mm)

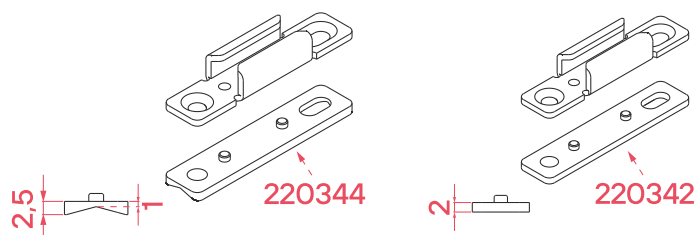
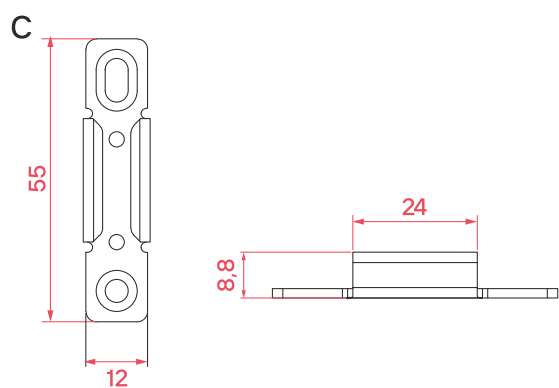
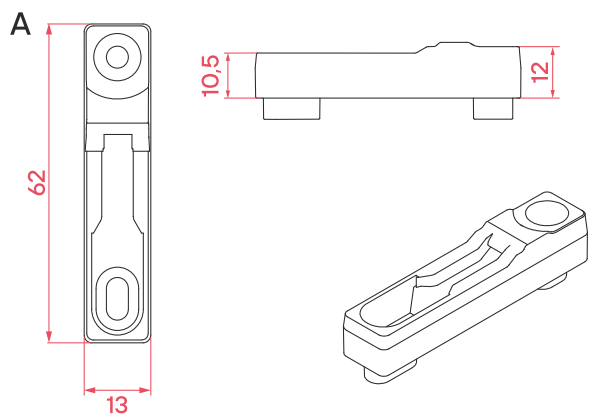


\*Only to the top side applicable.

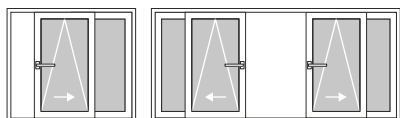
Code	Description	KA (mm)	A (mm)	B (mm)	C (mm)		
205324	IKS 1- Centre Lock Sliding	300 - 400	400	234	-	1	10
205325	IKS 2- Centre Lock Sliding	500 - 600	600	434	-	1	10
205326	IKS 3- Centre Lock Sliding	700 - 800	800	279	634	2	10
205327	IKS 4- Centre Lock Sliding	900 - 1000	1000	379	834	2	10
205328	IKS 5- Centre Lock Sliding	1100 - 1200	1100	479	1034	2	10

Applies only to:				
	Code	Description	KA (mm)	Page
I	200369	SPS 1600 Sliding Gear Variable	1600 - 1800	page 190&192
	200370	SPS 1800 Sliding Gear Variable	1800 - 2000	
	200371	SPS 2000 Sliding Gear Variable	2000 - 2200	
	200378	SPS 1600 Sliding Gear Variable	1600 - 1800	
	200379	SPS 1800 Sliding Gear Variable	1800 - 2000	
	200380	SPS 2000 Sliding Gear Variable	2000 - 2200	
II	200381	SPB 1600 Cylinder Sliding Gear Variable	1600 - 1800	page 194
	200382	SPB 1800 Cylinder Sliding Gear Variable	1800 - 2000	
	200383	SPB 2000 Cylinder Sliding Gear Variable	2000 - 2200	
III	200398	SPB 1600 Cylinder Sliding Gear Variable	1600 - 1800	page 198
	200399	SPB 1800 Cylinder Sliding Gear Variable	1800 - 2000	
	200400	SPB 2000 Cylinder Sliding Gear Variable	2000 - 2200	

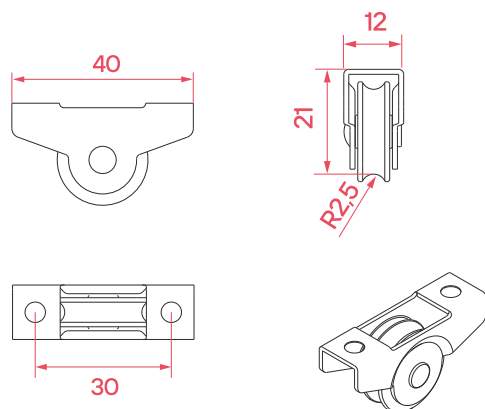
# Strikers


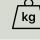


	Code	Description	
A	217101	Sliding Striker (Zamak)	200
B	217103	Sliding Striker - Smooth (Zamak)	200
	217102	Sliding Striker (Steel)	500
C	220344	Gasket for Steel Sliding Striker (V)	500
	220342	Gasket for Steel Sliding Striker	500



A

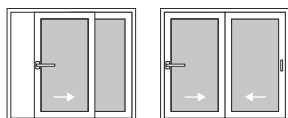
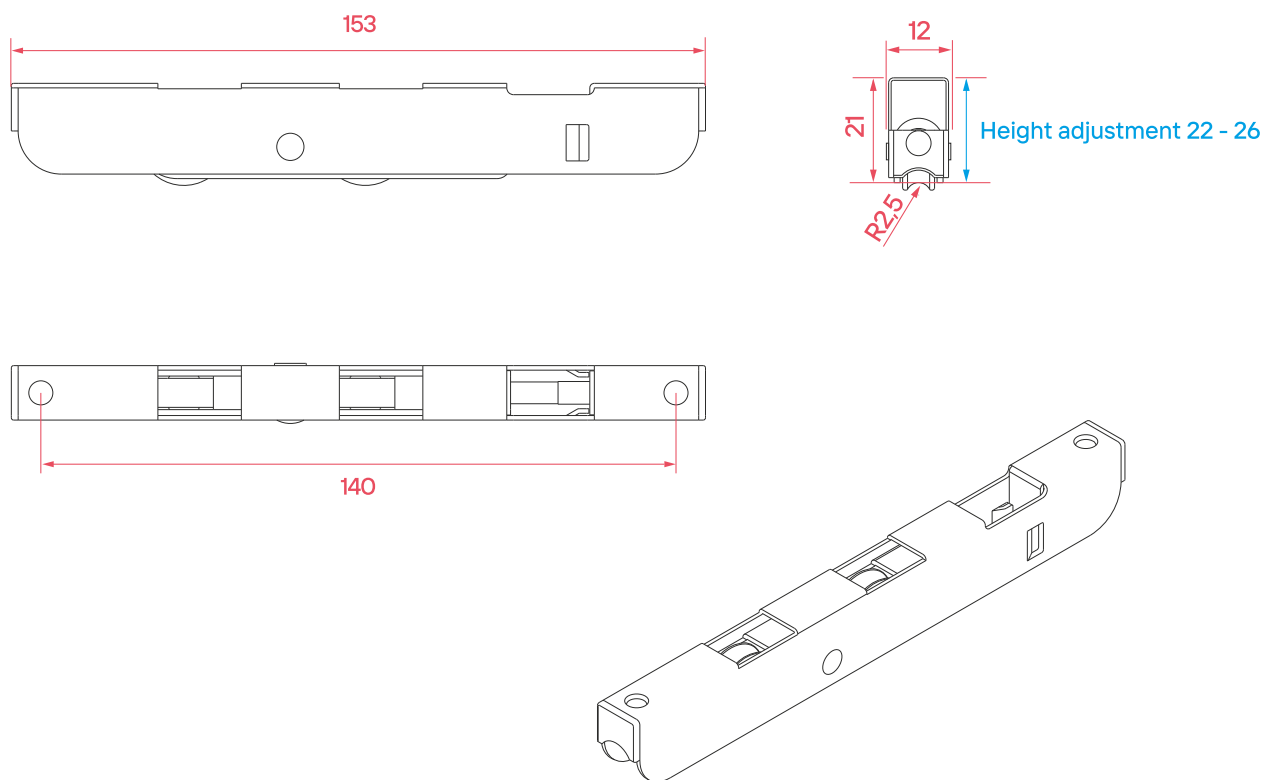


	Code	Description		
A	620101	BSS-D2017 R25 S Single Roller Steel Body Bogie	100	30
B	620102	BSS-D2017 R25 D Double Roller Steel Body Bogie	100	120

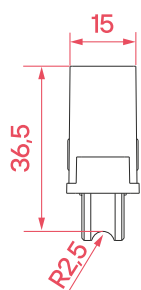
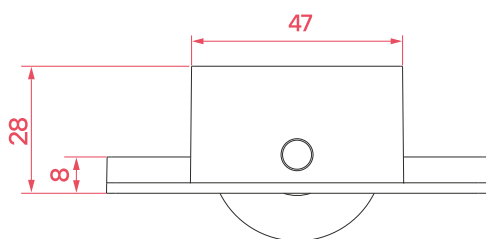
A - Maximum carrying capacity: 30 kg - by single roller, 60 kg - by single sash


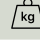
B - Maximum carrying capacity: 30 kg - by single roller, 120 kg - by single sash

B



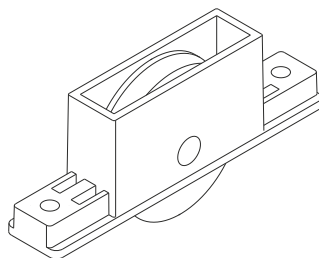
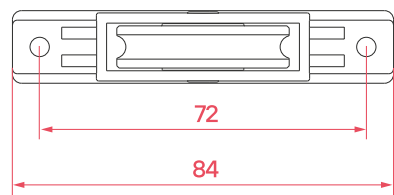
**A**



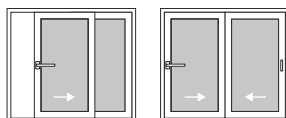
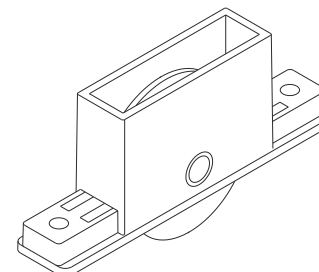
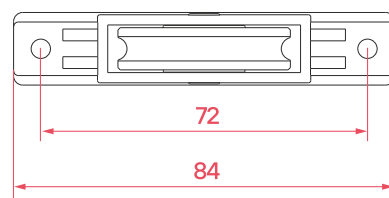
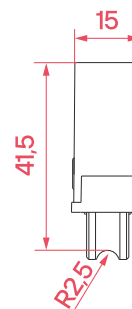
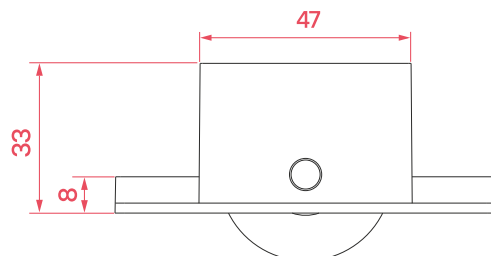
	Code	Description		
A	620103	BSZ-D3834 R25 B28 S Single Roller Zamak Body Bogie	100	70
B	620104	BSZ-D3834 R25 B33 S Single Roller Zamak Body Bogie	100	70

A - Maximum carrying capacity: 70 kg - by single roller, 140 kg - by single sash

B - Maximum carrying capacity: 70 kg - by single roller, 140 kg - by single sash




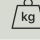
**B**

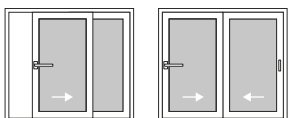
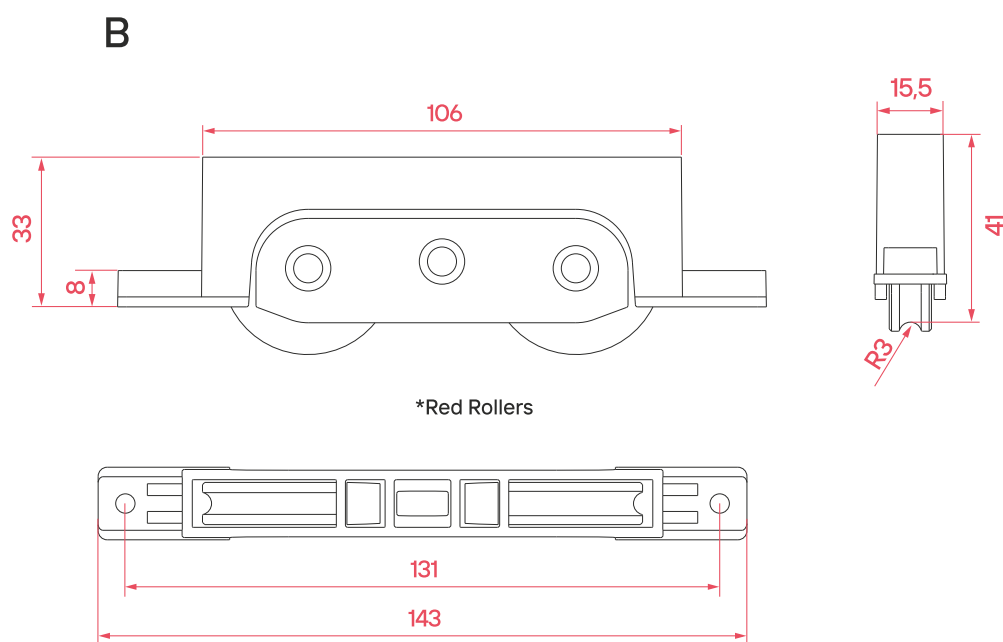
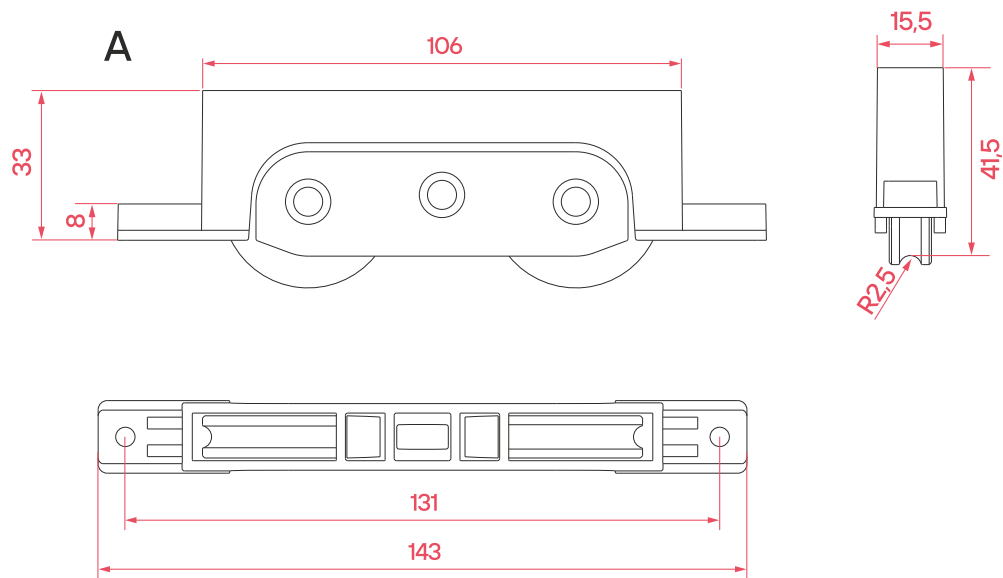
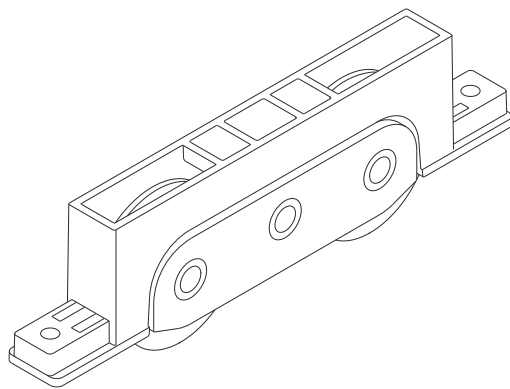


# Basic Sliding Bogies

A - Maximum carrying capacity: 70 kg - by single roller, 280 kg - by single sash


B - Maximum carrying capacity: 70 kg - by single roller, 280 kg - by single sash

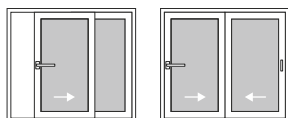
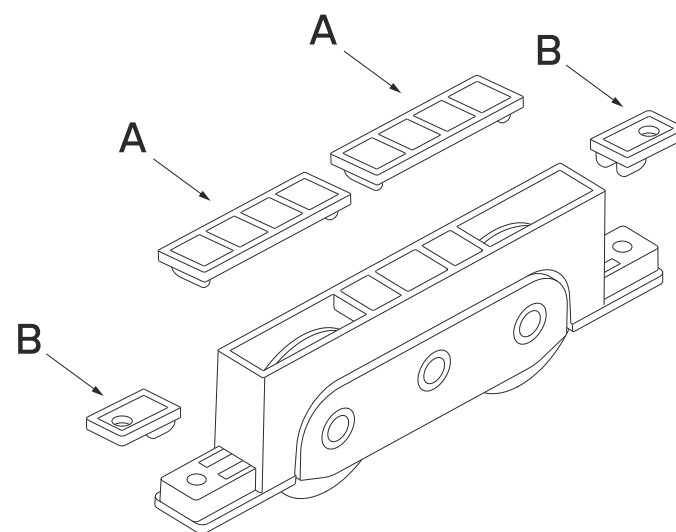
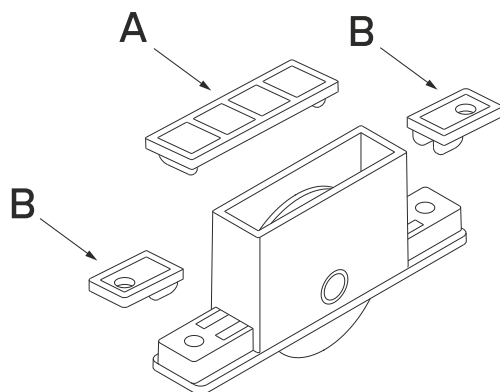
	Code	Description		
A	620105	BSZ-D3834 R25 B33 D Double Roller Zamak Body Bogie	100	140
B	620205	BSZ-D3833 R30 B33 D Double Roller Zamak Body Bogie (Red Rollers)	100	140



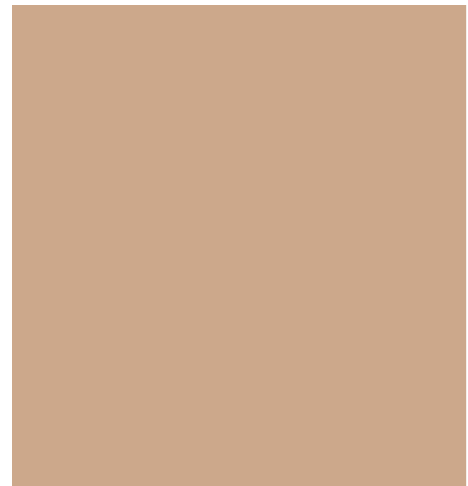
# Basic Sliding Bogie Plates

A			
Code	Description	Profile	
220345	Bogie Plate 2,5 mm		400
220367	Bogie Plate 3 mm	Deceunink Sliding 12671	400
220346	Bogie Plate 3,5 mm		400
220347	Bogie Plate 4 mm		400
220348	Bogie Plate 5 mm		400
220363	Bogie Plate 5,5 mm	Tecnoperfiles (Reinforcement profile 2,5 mm)	400
220349	Bogie Plate 6 mm		400
220362	Bogie Plate 6,5 mm	Tecnoperfiles (Reinforcement profile 1,5 mm)	400
220366	Bogie Plate 6.5mm (SLANTED EDGE)	Deceuninck Bella 12474	400
220350	Bogie Plate 7 mm		400
220371	Bogie Plate 7,5 mm		400
220351	Bogie Plate 8 mm	Veka / Sash 105.135 (Reinforcement profile 1,5 mm)	400
220368	Bogie Plate 9,5 mm	Asaşpen	400
220352	Bogie Plate 10 mm		400
220369	Bogie Plate 15 mm	Proline PRO213	400
220353	Bogie Plate 15,5 mm		400
220372	Bogie Plate 18 mm	Tecnocom Jumbo R3	400
220354	Bogie Plate 18,5 mm	Tecnoperfiles R3	400
220364	Bogie Plate 19 mm	Tecnoperfiles R2,5	400

B			
Code	Description	Profile	
220355	Bogie Plate SIDE 2,5 mm		400
220356	Bogie Plate SIDE 3,5 mm		400
220370	Bogie Plate SIDE 4 mm	Proline PRO211 / PRO213 / Veka Tecnocom Jumbo R3	400
220357	Bogie Plate SIDE 4,5 mm		400
220365	Bogie Plate SIDE 5 mm	Tecnoperfiles / Asaşpen	400
220358	Bogie Plate SIDE 5,5 mm		400
220359	Bogie Plate SIDE 7 mm		400
220360	Bogie Plate SIDE 8 mm		400
220361	Bogie Plate SIDE 8,5 mm		400







# Outward Opening System



## Outward Opening System

---

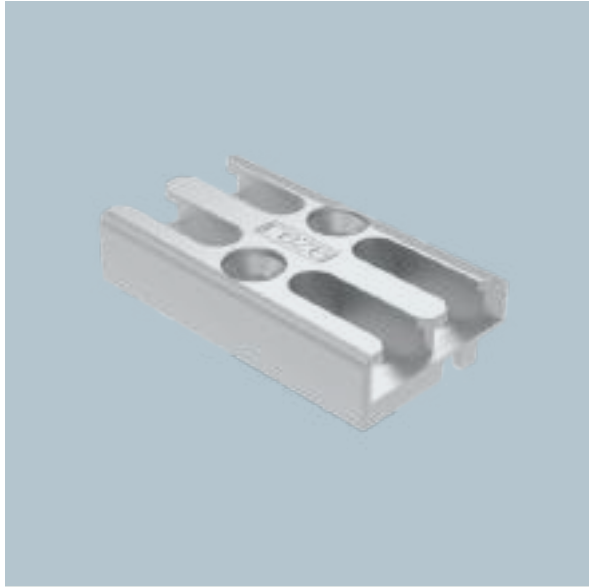
Outward Opening Gears are developed for standard windows and doors and have simple application features.

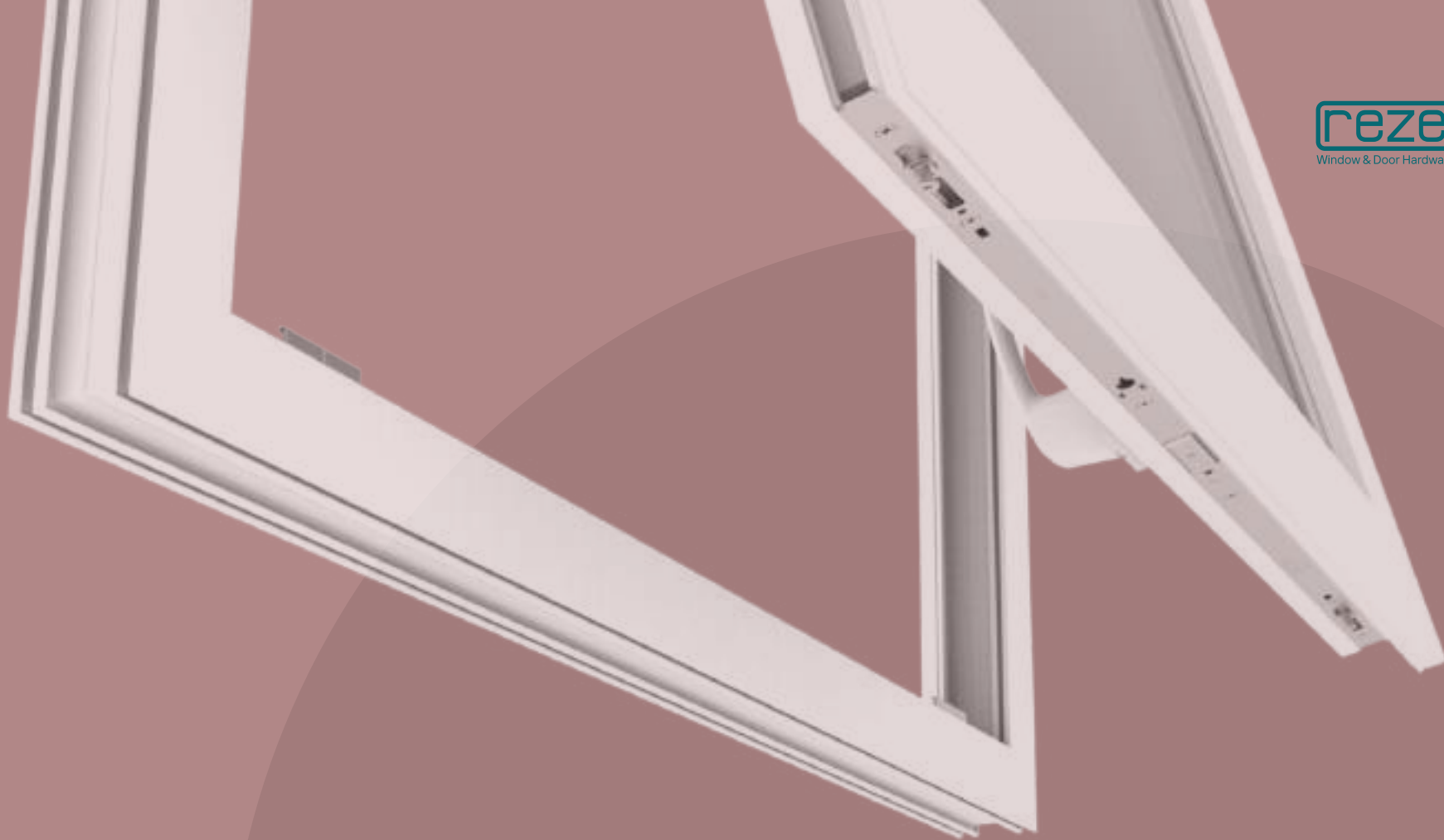
Owing to quality materials and accurate approach in assembly in the final of manufacture process is turns out a durable gears that flawlessly perform their function for a long time.

Classical solutions ensure comfortable and usability applying for final consumer.









Outward Opening Gears are simple and easy to assemble and also provide long, reliable and comfortable operation of window or door structures.

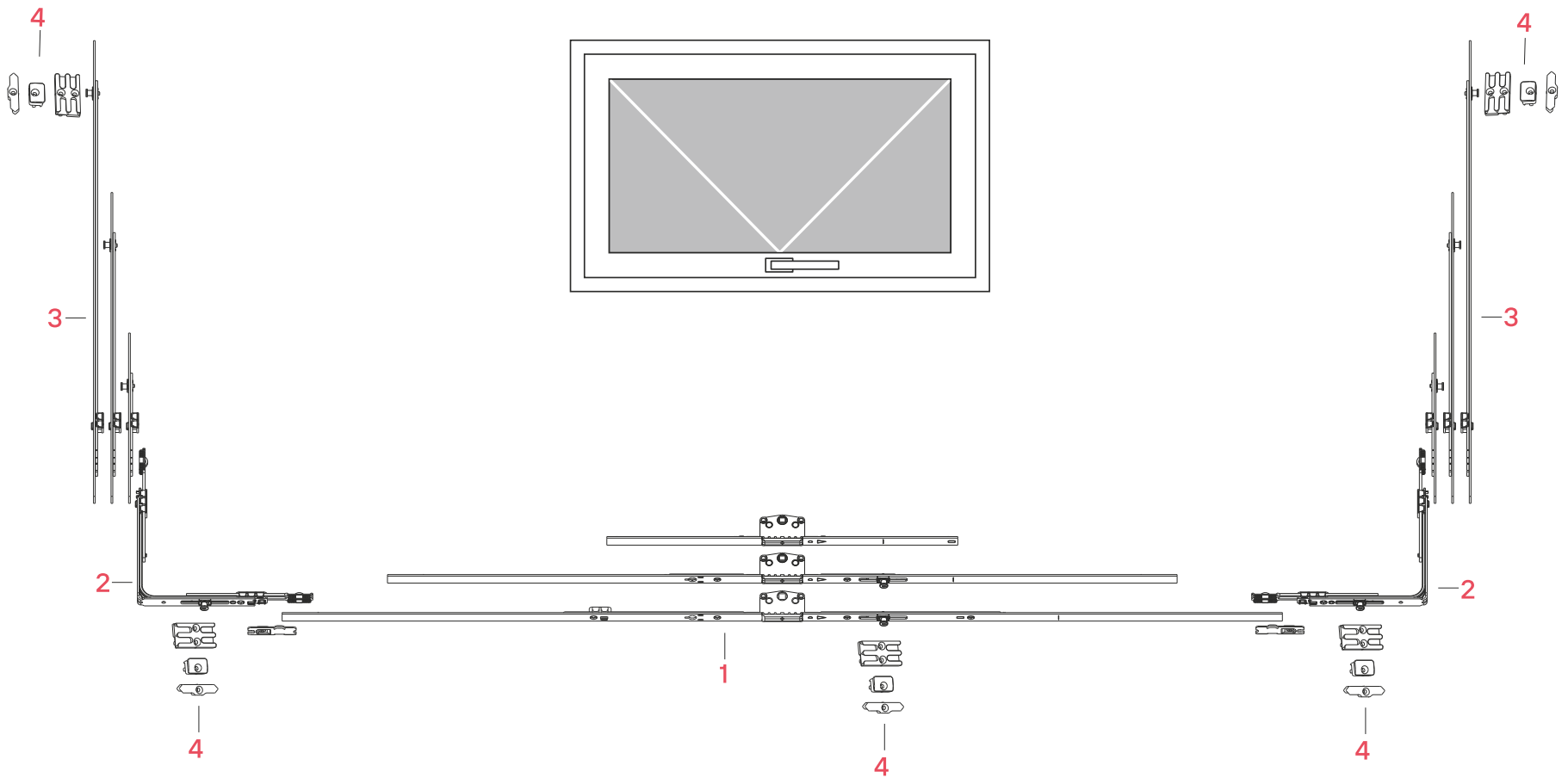
A large assortment of types and sizes of the Outward Opening Gears and special Strikers make the work of window and door manufacturers fast and high-quality.



## Perimetral Outward Opening System

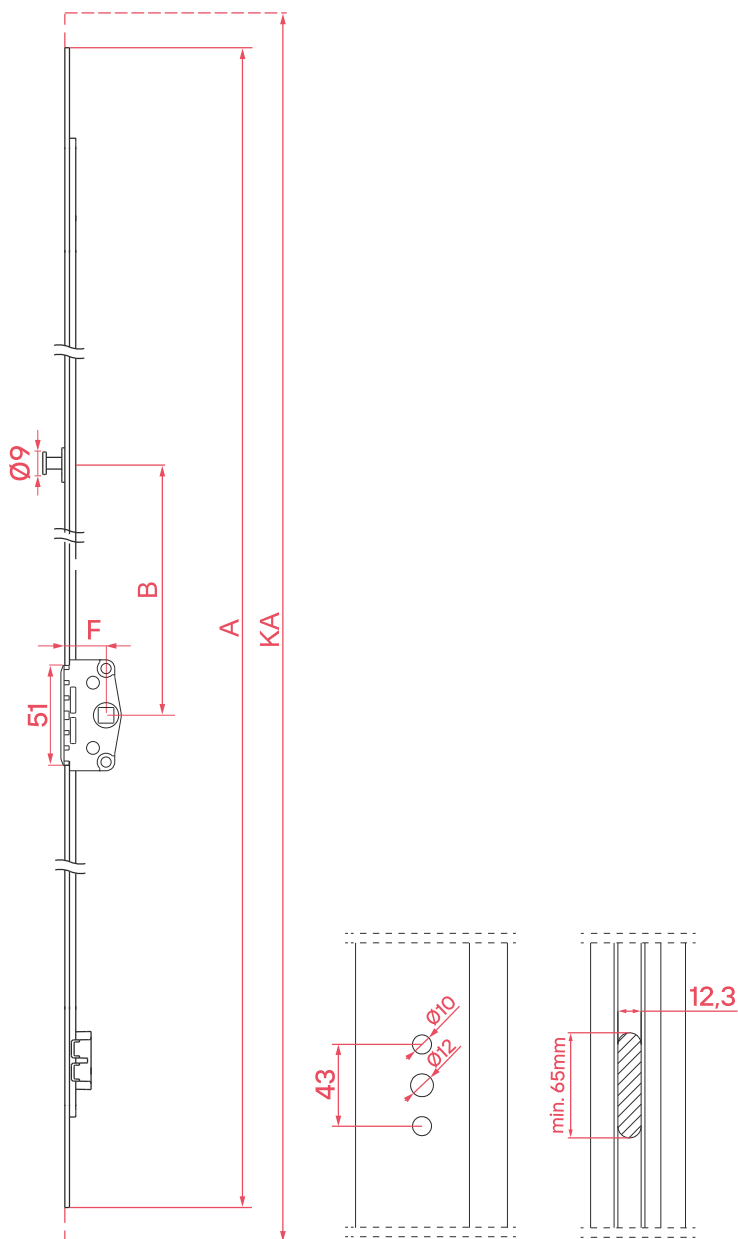
Page



1	Outward Opening Gears	216
2	Outward Opening Corners	219
3	Outward Opening Centre Locks	217
4	Outward Opening Strikers	224







# Outward Opening Variable Gear



Variable / Cuttable / Backset 25mm-22mm-20mm-15mm / Pin (9-6mm)



Code	Description	KA (mm)	A (mm)	B (mm)	F (mm)		
201321	SPD - 1 Outward Opening Variable Gear	500 - 660	400	-	25	-	20
201322	SPD - 2 Outward Opening Variable Gear	661 - 1160	900	115	25	1	10
201323	SPD - 3 Outward Opening Variable Gear	900 - 1400	1140	115	25	1	10

Code	Description	KA (mm)	A (mm)	B (mm)	F (mm)		
201324	SPD - 1 Outward Opening Variable Gear	500 - 660	400	-	22	-	10
201325	SPD - 2 Outward Opening Variable Gear	661 - 1160	900	115	22	1	10
201326	SPD - 3 Outward Opening Variable Gear	900 - 1400	1140	115	22	1	10

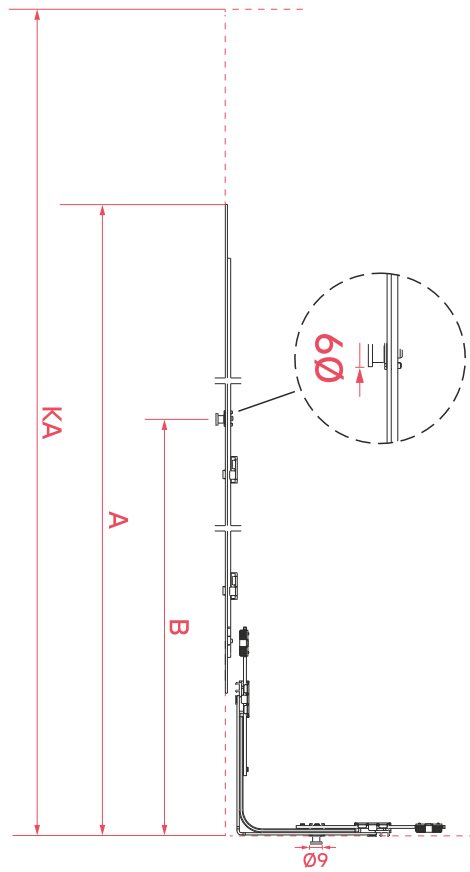
Code	Description	KA (mm)	A (mm)	B (mm)	F (mm)		
201327	SPD - 1 Outward Opening Variable Gear	500 - 660	400	-	20	-	10
201328	SPD - 2 Outward Opening Variable Gear	661 - 1160	900	115	20	1	10
201329	SPD - 3 Outward Opening Variable Gear	900 - 1400	1140	115	20	1	10



Code	Description	KA (mm)	A (mm)	B (mm)	F (mm)		
201330	SPD - 1 Outward Opening Variable Gear	500 - 660	400	-	15	-	10
201331	SPD - 2 Outward Opening Variable Gear	661 - 1160	900	115	15	1	10
201332	SPD - 3 Outward Opening Variable Gear	900 - 1400	1140	115	15	1	10

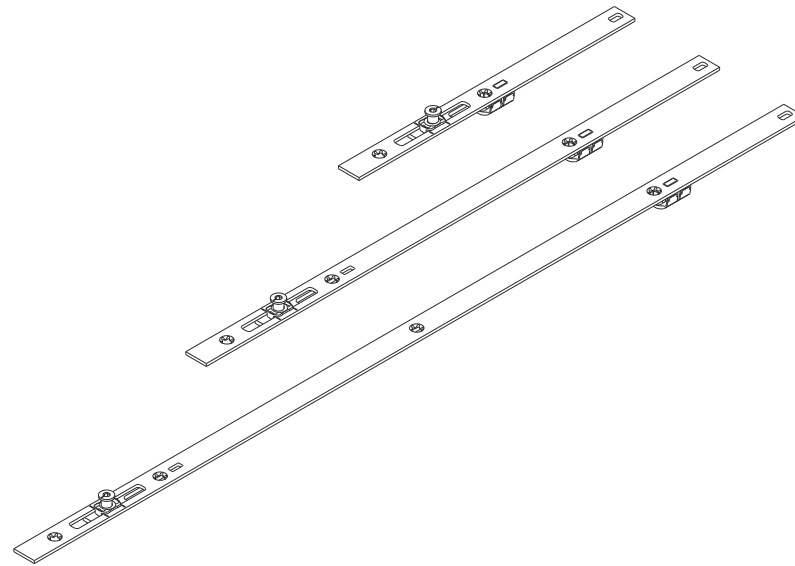


# Outward Opening Centre Lock

Pin (9-6mm)

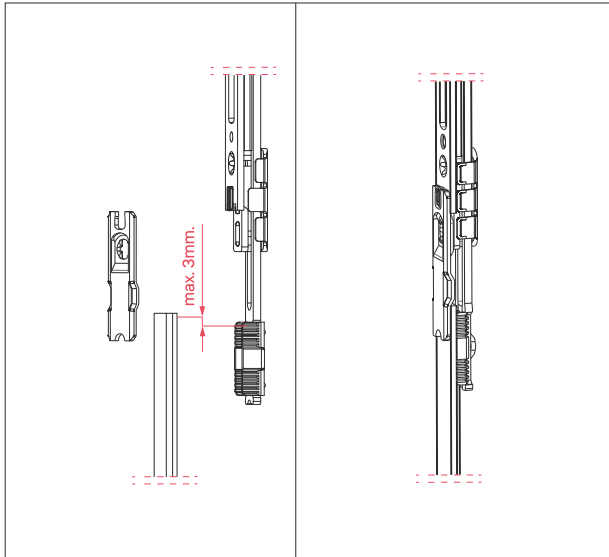



Code	Description	KA (mm)	A (mm)	B (mm)		
205321	IKD 0 Outward Opening Centre Lock	- - 800	350	285	1	10
205322	IKD 1 Outward Opening Centre Lock	801 - 1160	535	470	1	10
205323	IKD 2 Outward Opening Centre Lock	900 - 1400	735	670	1	10

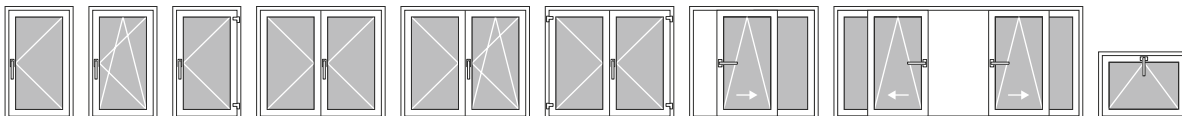
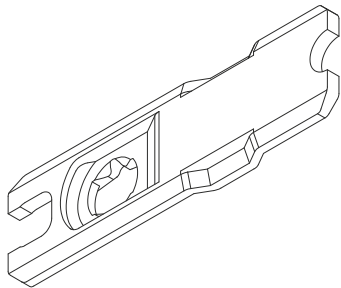


# Corner Transmission Connecting Part

Manuel cut. Application of Corner Transmission Connecting Part.





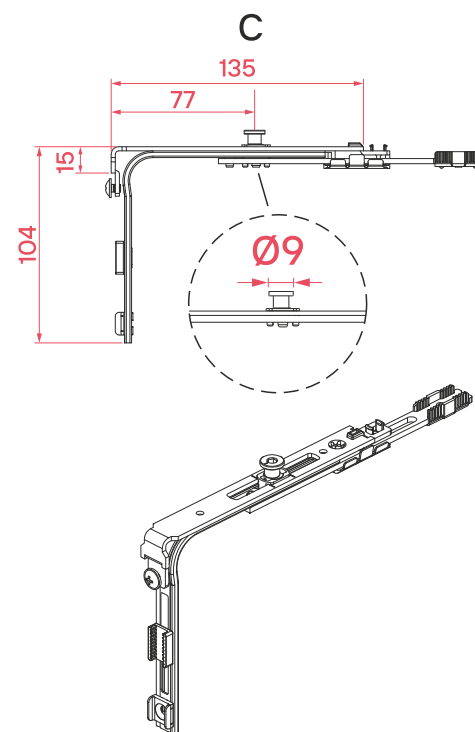
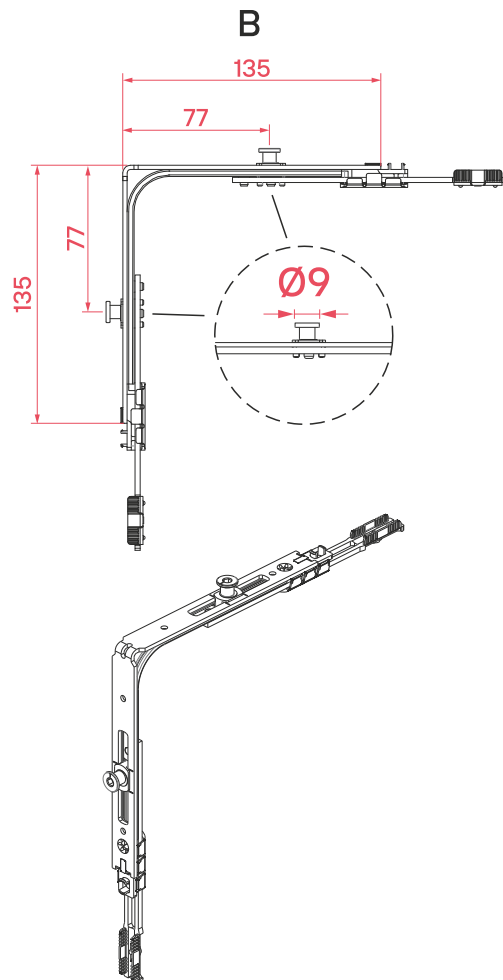
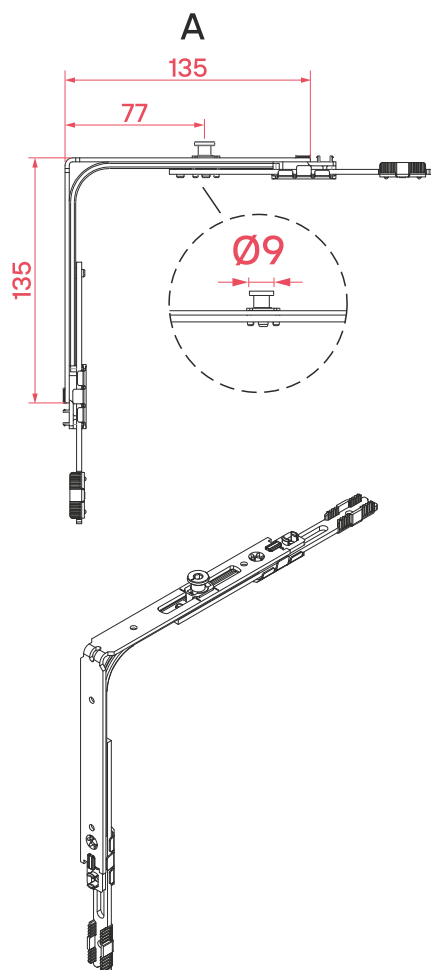
Code	Description	
203103	Corner Transmission Connecting Part	300



# Ouward Opening Corner Transmission

Pin (9-6mm)

	Code	Description		
A	203113	Outward Opening Corner Transmission	1	100
B	203114	Outward Opening Corner Transmission - Double Pin	2	100
C	203115	*Outward Opening Corner Transmission Short	1	100

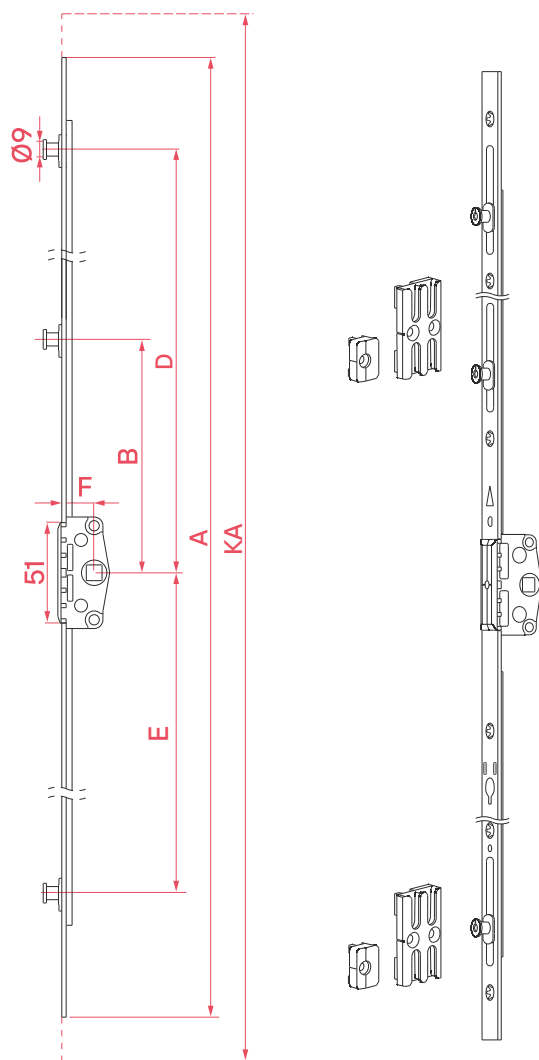


\*Applicable for 500 mm and narrower Sashes

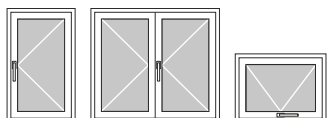
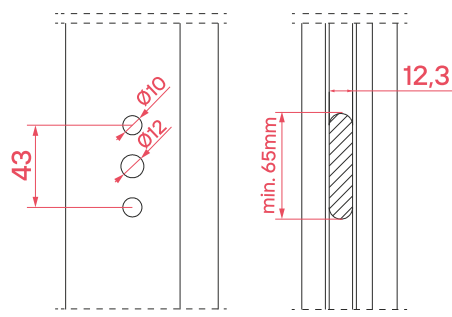


# Outward Opening Gear

15mm (9-6mm)

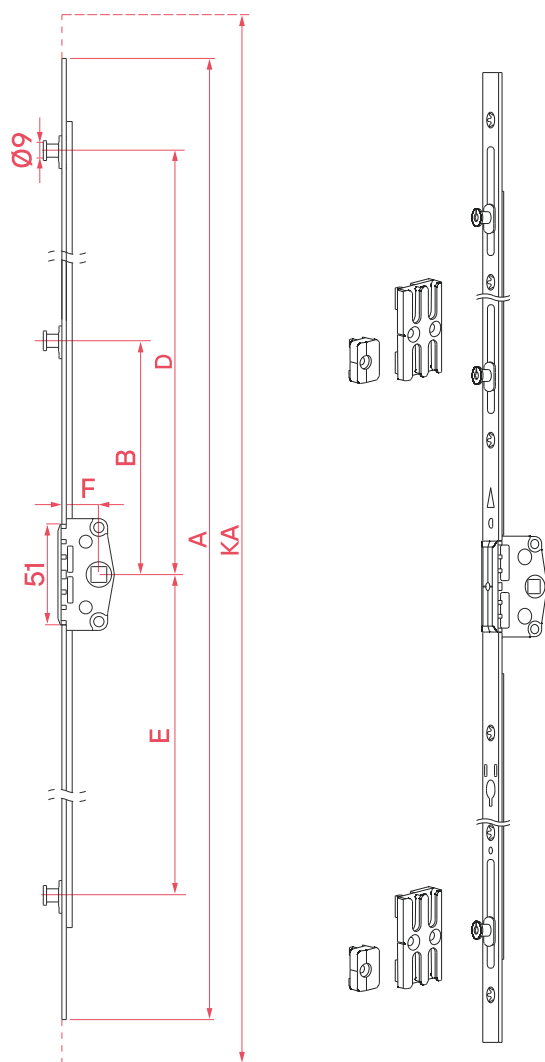


Code	Description	KA (mm)	A (mm)	B (mm)	C (mm)	D (mm)	E (mm)	F (mm)		
200252	SPD 190 - Outward Opening Gear Variable	190 - 280	160	-	-	36	-	15	1	20
200253	SPD 280 - Outward Opening Gear Variable	280 - 400	280	-	-	72	90	15	2	20
200254	SPD 400 - Outward Opening Gear Variable	400 - 600	400	-	-	126	144	15	2	20
200255	SPD 600 - Outward Opening Gear Variable	600 - 800	600	-	-	226	244	15	2	20
200256	SPD 800 - Outward Opening Gear Variable	800 - 1000	800	-	-	326	344	15	2	20
200257	SPD 1000 - Outward Opening Gear Variable	1000 - 1200	1000	106	-	426	444	15	3	20
200258	SPD 1200 - Outward Opening Gear Variable	1200 - 1400	1200	106	-	526	544	15	3	20

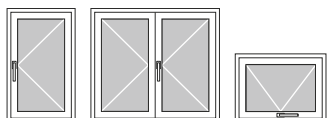
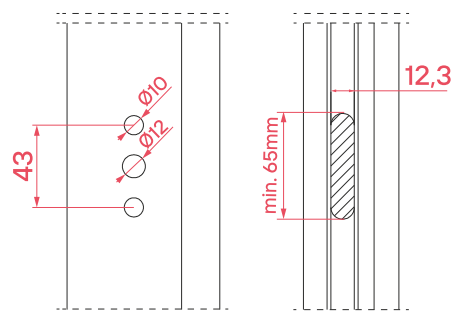


# Outward Opening Gear

20mm (9-6mm)

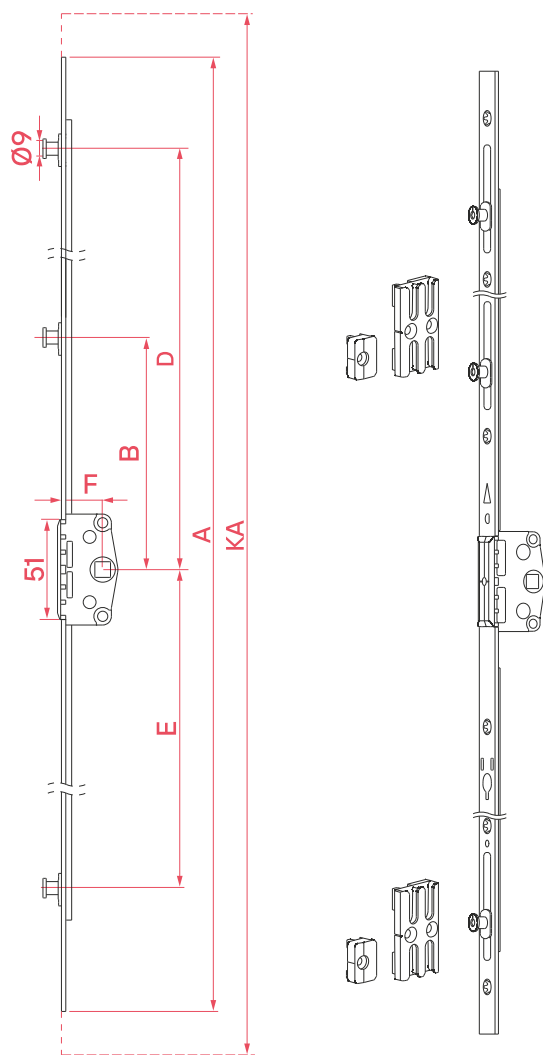




Code	Description	KA (mm)	A (mm)	B (mm)	C (mm)	D (mm)	E (mm)	F (mm)		
200211	SPD 190 - Outward Opening Gear Variable	190 - 280	160	-	-	36	-	20	1	20
200212	SPD 280 - Outward Opening Gear Variable	280 - 400	280	-	-	72	90	20	2	20
200213	SPD 400 - Outward Opening Gear Variable	400 - 600	400	-	-	126	144	20	2	20
200214	SPD 600 - Outward Opening Gear Variable	600 - 800	600	-	-	226	244	20	2	20
200215	SPD 800 - Outward Opening Gear Variable	800 - 1000	800	-	-	326	344	20	2	20
200216	SPD 1000 - Outward Opening Gear Variable	1000 - 1200	1000	106	-	426	444	20	3	20
200217	SPD 1200 - Outward Opening Gear Variable	1200 - 1400	1200	106	-	526	544	20	3	20

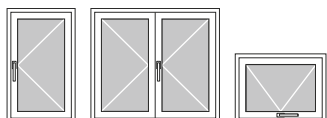
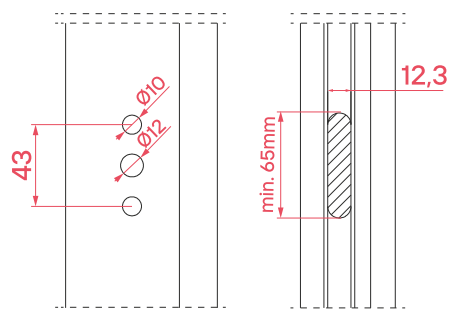


# Outward Opening Gear

22mm (9-6mm)

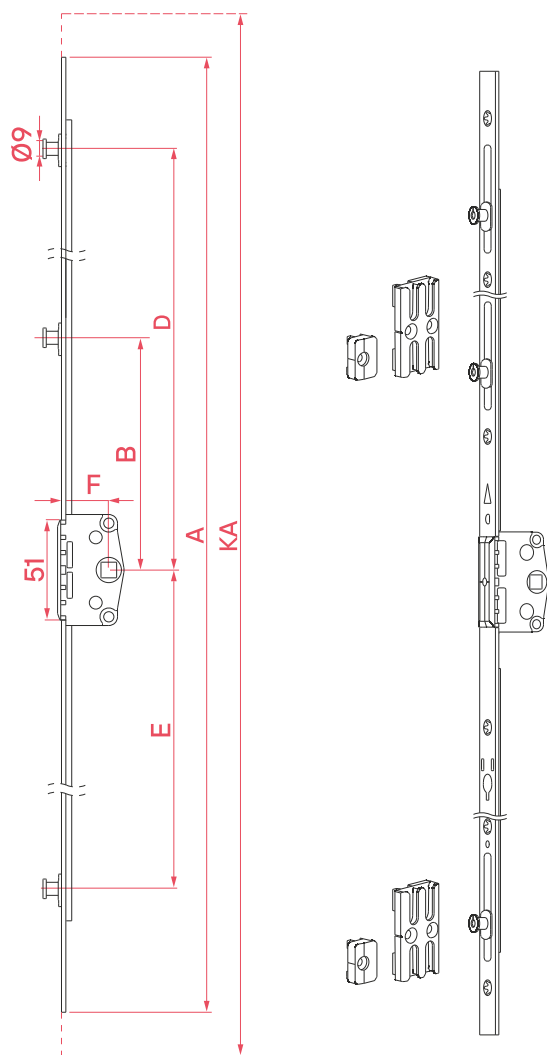


Code	Description	KA (mm)	A (mm)	B (mm)	C (mm)	D (mm)	E (mm)	F (mm)		
200200	SPD 190 - Outward Opening Gear Variable	190 - 280	160	-	-	36	-	22	1	20
200201	SPD 280 - Outward Opening Gear Variable	280 - 400	280	-	-	72	90	22	2	20
200202	SPD 400 - Outward Opening Gear Variable	400 - 600	400	-	-	126	144	22	2	20
200203	SPD 600 - Outward Opening Gear Variable	600 - 800	600	-	-	226	244	22	2	20
200204	SPD 800 - Outward Opening Gear Variable	800 - 1000	800	-	-	326	344	22	2	20
200205	SPD 1000 - Outward Opening Gear Variable	1000 - 1200	1000	106	-	426	444	22	3	20
200206	SPD 1200 - Outward Opening Gear Variable	1200 - 1400	1200	106	-	526	544	22	3	20

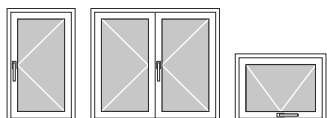
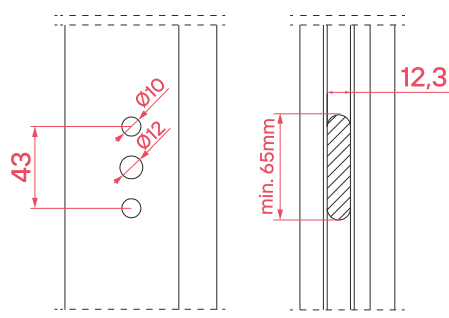


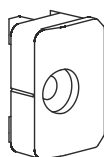
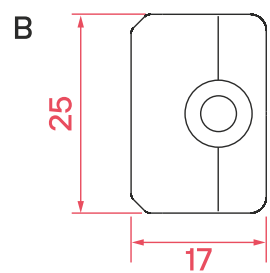
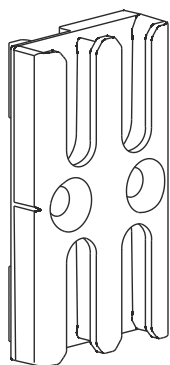
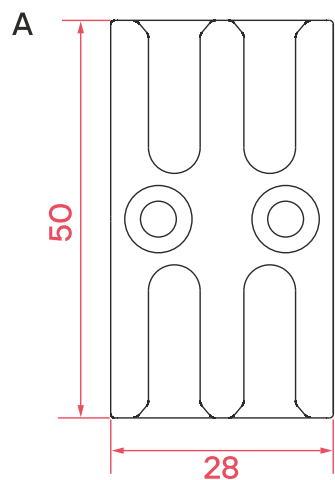
# Outward Opening Gear

25mm (9-6mm)

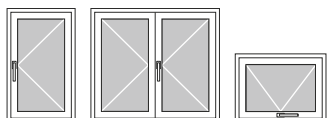


Code	Description	KA (mm)	A (mm)	B (mm)	C (mm)	D (mm)	E (mm)	F (mm)		
200232	SPD 190 - Outward Opening Gear Variable	190 - 280	160	-	-	36	-	25	1	20
200233	SPD 280 - Outward Opening Gear Variable	280 - 400	280	-	-	72	90	25	2	20
200234	SPD 400 - Outward Opening Gear Variable	400 - 600	400	-	-	126	144	25	2	20
200235	SPD 600 - Outward Opening Gear Variable	600 - 800	600	-	-	226	244	25	2	20
200236	SPD 800 - Outward Opening Gear Variable	800 - 1000	800	-	-	326	344	25	2	20
200237	SPD 1000 - Outward Opening Gear Variable	1000 - 1200	1000	106	-	426	444	25	3	20
200238	SPD 1200 - Outward Opening Gear Variable	1200 - 1400	1200	106	-	526	544	25	3	20

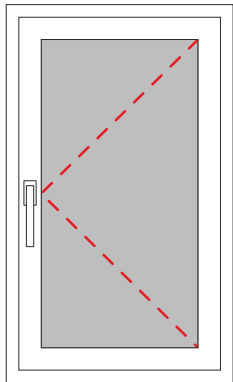




	Code	Description	
A	211911	Outward Opening Gear Striker - 20 Axis (Multi-stepped)	100
B	211912	Outward Opening Gear Striker - 20 Axis	500



# Diagram - Turn Only System



SRW: Sash Rebate Width  
 SRH: Sash Rebate Height  
 1 mm glass thickness weight CA=2,5kg/m<sup>2</sup>

SRW Max. / Min. 1400/340mm  
 SRH Max. / Min. 2200/280mm  
 Max. SRW / SRH = 1.5

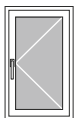
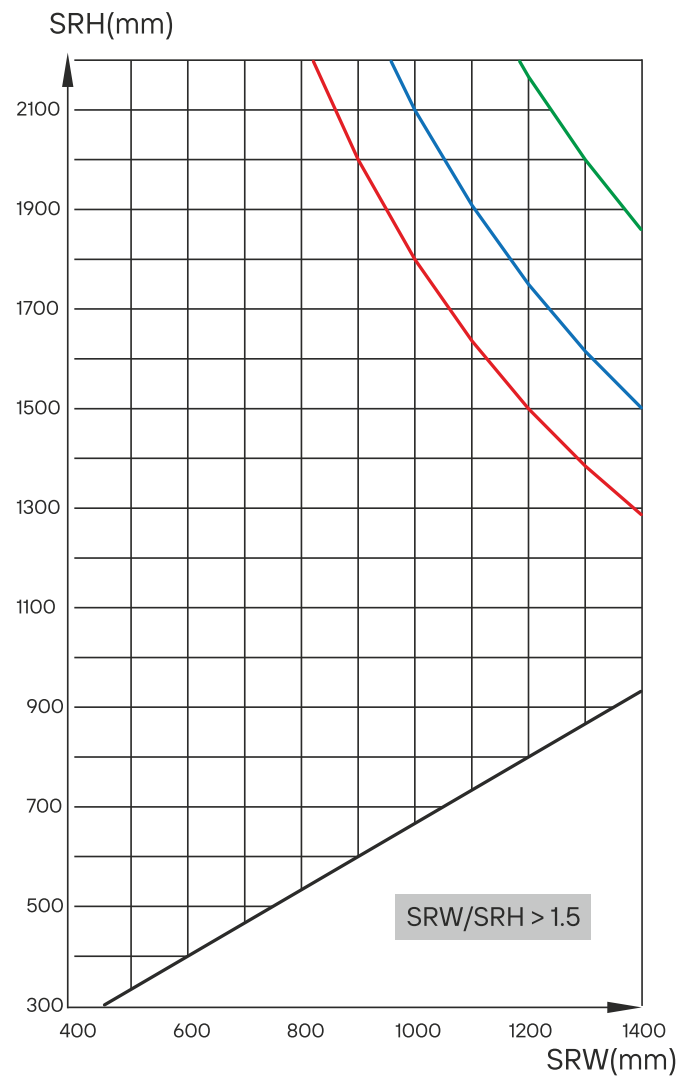
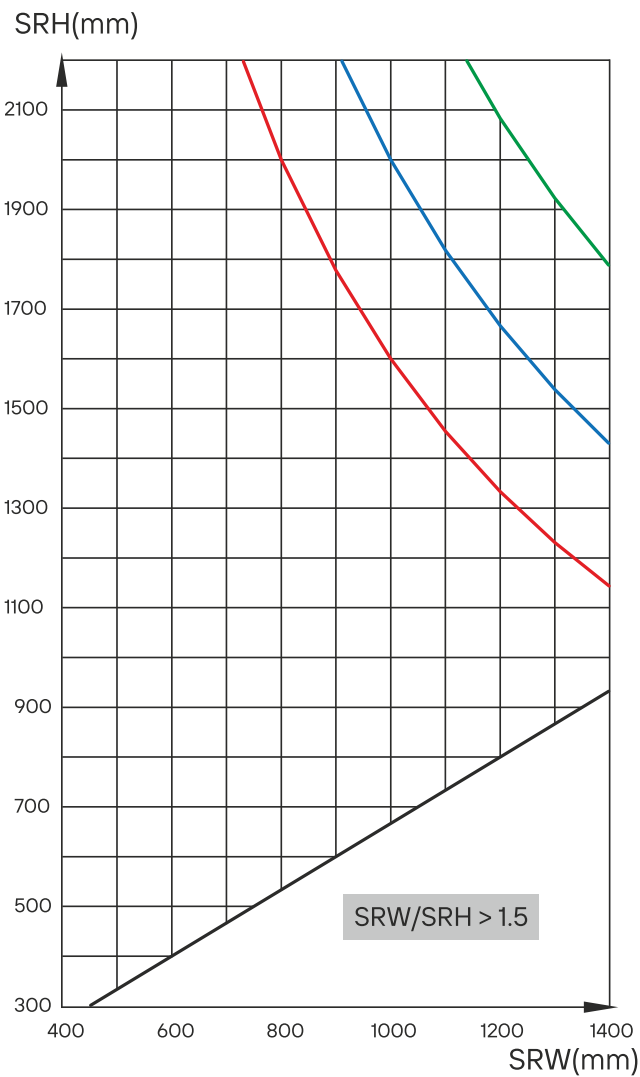
glass thickness mm	16	20	24	28
glass thickness kg/m <sup>2</sup>	40	50	60	70

## Turn Only Sash Weight Maximum 100 kg

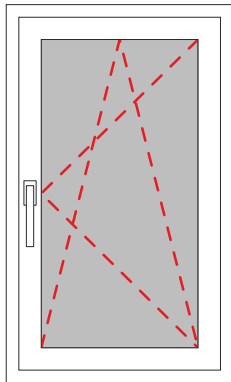
- SRW/SRH > 1.5
- max. 40 kg/m<sup>2</sup>
- max. 50 kg/m<sup>2</sup>
- max. 60 kg/m<sup>2</sup>

## Turn Only Sash Weight Maximum 130 kg

- SRW/SRH > 1.5
- max. 50 kg/m<sup>2</sup>
- max. 60 kg/m<sup>2</sup>
- max. 70 kg/m<sup>2</sup>



# Diagram - Tilt & Turn System



SRW: Sash Rebate Width  
 SRH: Sash Rebate Height  
 1mm glass thickness weight CA=2,5kg/m<sup>2</sup>

SRW Max. / Min. 1400/340mm  
 SRH Max. / Min. 2200/280mm  
 Max. SRW / SRH = 1.5

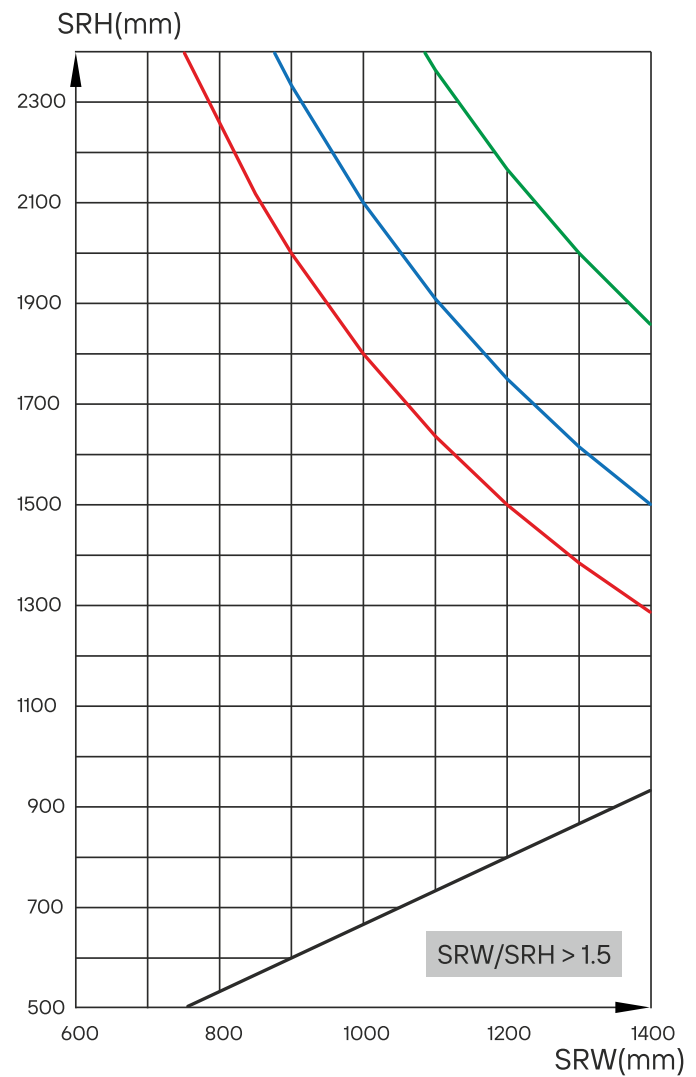
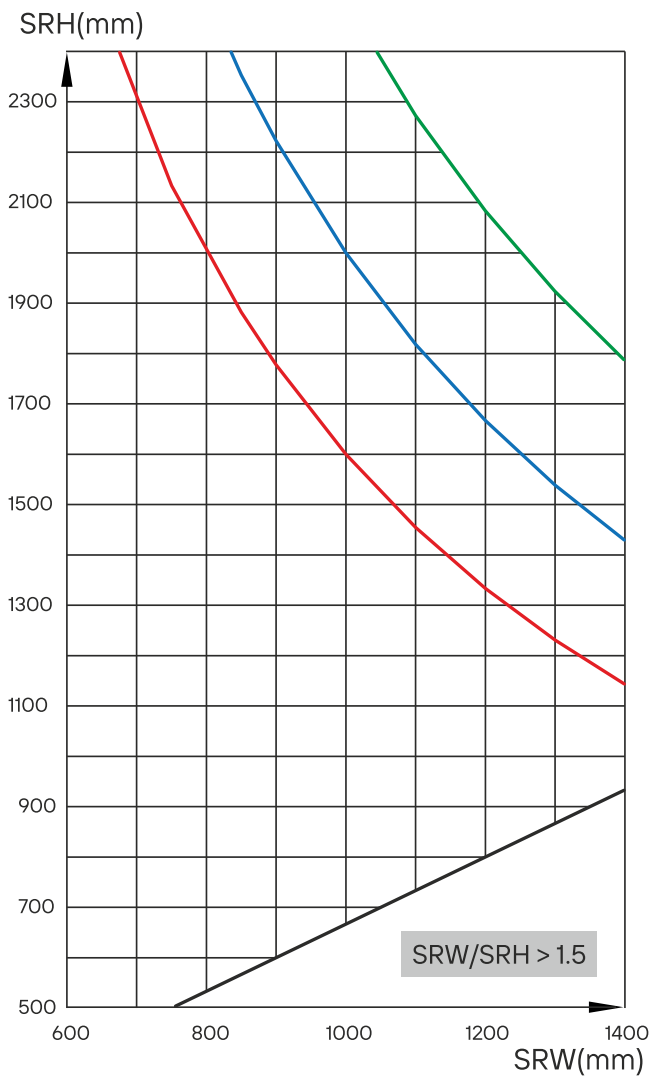
glass thickness mm	16	20	24	28
glass thickness kg/m <sup>2</sup>	40	50	60	70

## Tilt & Turn Sash Weight Maximum 100 kg

- SRW/SRH > 1.5
- max. 40 kg/m<sup>2</sup>
- max. 50 kg/m<sup>2</sup>
- max. 60 kg/m<sup>2</sup>

## Tilt & Turn Sash Weight Maximum 130 kg

- SRW/SRH > 1.5
- max. 50 kg/m<sup>2</sup>
- max. 60 kg/m<sup>2</sup>
- max. 70 kg/m<sup>2</sup>



[www.reze.com.tr](http://www.reze.com.tr)

**REZE YAPI DONANIMLARI SANAYİ & TİCARET A.Ş.**

Address Ömerli Mahallesi, Uçurtma Sokak No:2 34555 Arnavutköy İstanbul / Turkey  
Phone +90 212 671 78 20-21  
Fax +90 212 671 78 22  
E-mail [info@reze.com.tr](mailto:info@reze.com.tr)